



THE NEW AMERICAN MOTORCYCLE™

2010

VEGAS JACKPOT®

NESS SIGNATURE SERIES VEGAS JACKPOT®

Part No. 9922440

PRINTED IN THE USA

**California Proposition 65 Warning**

This product contains or emits chemicals known to the state of California to cause cancer and birth defects or other reproductive harm.



The text is printed on 100% recycled with 40% post-consumer waste (PCW).



**2010 Owner's Manual**  
**Vegas Jackpot®**  
**Ness Signature Series Vegas Jackpot®**

Copyright© 2009 Polaris Sales Inc.

All material in this publication is based on the latest product information at the time of publication. Due to constant improvements in the design and quality of production components, some minor discrepancies may result between the actual vehicle and the information presented in this publication. Depictions and/or procedures in this publication are intended for reference use only. No liability can be accepted for omissions or inaccuracies. Polaris Industries reserves the right to make changes at any time, without notice and without incurring obligation to make the same or similar changes to previously manufactured vehicles. Any reprinting, reuse or redistribution of the material in this document is expressly prohibited.

Features of VICTORY Motorcycles are covered by U.S. Patents: 6,976,691; 6,407,663; D489670; D482311; D482304; D481980; D481973; D474142. Refer also to the patent label on the motorcycle.

POLARIS, POLARIS THE WAY OUT, FREEDOM, VEGAS, VEGAS JACKPOT, VICTORY and VICTORY MOTORCYCLES are registered trademarks of Polaris Industries Inc. DUNLOP is a registered trademark of Dunlop Tire Corporation.

Printed in U.S.A.

P/N 9922440



# Table of Contents

Introduction . . . . .	5	Maintenance . . . . .	70
Safety . . . . .	6	Cleaning . . . . .	125
Reporting Safety Defects . . . . .	26	Storage . . . . .	135
Component Identification . . . . .	27	Warranty . . . . .	140
Instruments, Features and Controls . . . . .	32	Specifications . . . . .	150
Pre-Ride Inspections . . . . .	45	Identification Numbers . . . . .	155
Operation . . . . .	59	Maintenance Record . . . . .	156
		Index . . . . .	159



# Introduction

Thank you for choosing a VICTORY motorcycle, and welcome to our world-wide family of Polaris owners. At Polaris, we're passionate about producing an exciting line of utility and recreational products for our customers:

- Snowmobiles
- All-terrain vehicles (ATVs)
- *RANGER* utility vehicles
- VICTORY motorcycles

For the safe and enjoyable operation of your vehicle, be sure to follow the instructions and recommendations in this owner's manual. If your owner's manual is misplaced or damaged, please purchase a replacement from your VICTORY dealer. This manual should be considered part of the motorcycle and should remain with the motorcycle when ownership changes.

All references in this manual to RIGHT, LEFT, FRONT or REAR are from the operator's perspective when seated in a normal riding position. If you have questions about the operation or maintenance of your motorcycle after you've read this manual, please see your VICTORY dealer. To locate the nearest authorized VICTORY dealer, call 1-800-POLARIS or visit [www.polarisindustries.com](http://www.polarisindustries.com).

VICTORY motorcycles comply with all federal, state and local safety and emission regulations for the area of intended sale.

# Safety

## About the Owner's Manual

### **⚠ WARNING**

Failure to follow recommended precautions and procedures could result in severe injury or death. Always heed all safety precautions and follow all operation, inspection and maintenance procedures outlined in this manual.

Please read your VICTORY owner's manual. This manual contains information essential to safe riding and proper maintenance of the motorcycle. Anyone who rides the motorcycle (operators and passengers) must read the owner's manual before riding.

Read and understand the information found in the safety section, and bring the manual with you when you ride. Following the safety precautions and procedures will add to your riding enjoyment and ensure a safe ride.

Understand and follow all inspection and maintenance procedures outlined in this manual. Following these procedures will ensure that your motorcycle remains in safe operating condition at all times.

## Safety Terms and Signal Words

The following signal words and symbols appear throughout this manual and on your vehicle. Your safety and the safety of others is involved when these words and symbols are used. Become familiar with their meanings before reading the manual.



The safety alert symbol indicates a potential personal injury hazard.

### **WARNING**

A WARNING indicates a hazardous situation which, if not avoided, may result in death or serious injury.

### **CAUTION**

A CAUTION indicates a hazardous situation which, if not avoided, may result in minor or moderate injury.

### **NOTICE**

A NOTICE indicates a situation that may result in property damage.

# Safety

## Safe Riding Practices

### WARNING

Improper use of this motorcycle can result in serious injury or death to you, your passenger and others. To minimize the risk of injury, read and understand the information contained in this section before operating the motorcycle. This section contains safety information specific to the VICTORY motorcycle, as well as information about general motorcycle safety. Anyone who rides the motorcycle (operators and passengers) must follow these safety precautions.

Motorcycling has inherent risks. You can minimize those risks, but you can't eliminate them completely. Even if you're an experienced motorcycle operator or passenger, read all of the information in this safety section before operating the motorcycle.

- Your ability to safely operate the motorcycle depends on your judgment and your use of safe riding habits. Take a rider education course from the Motorcycle Safety Foundation or another qualified instructor. The course will help you develop or refresh your expertise in safe riding habits through instruction and riding. For information on Motorcycle Safety Foundation rider education courses in your area, call 1-800-446-9227 or visit their web site at [www.msf-usa.org](http://www.msf-usa.org).
- Read and understand all information in this owner's manual. It contains safety information specific to individual components and operations.
- Pay close attention to the motorcycle maintenance requirements in this manual. For additional information or assistance with technical services specified in the manual or required by mechanical circumstances, see the *VICTORY Service Manual* or your authorized VICTORY dealer.

## Safe Riding Practices

Design characteristics affect how you should ride the VICTORY motorcycle.

- The motorcycle is designed for on-road use with one rider and one passenger. See page 14.
- Do not exceed the gross vehicle weight rating (see the specifications section beginning on page 150 or the certification label on the steering head). Riding off-road, riding with more than one passenger, or carrying weight exceeding the maximum weight rating can make handling difficult, which could cause loss of control.
- Some VICTORY motorcycles are equipped with saddlebags, a windshield, and a passenger backrest as standard equipment. To maintain stability, be prepared to reduce the operating speed of motorcycles equipped with these items.

# Safety

## Safe Riding Practices

Follow these general safe riding practices:

- Before each ride, perform the pre-ride inspections. See page 45. Failure to do so may result in damage to the motorcycle or an accident.
- Follow all break-in procedures during the first 500 miles (800 km) of operation. See page 59. Failure to do so can result in serious engine damage.
- Until you're thoroughly familiar with the motorcycle and all of its controls, practice riding where there is little or no traffic. Practice riding at a moderate speed on various road surfaces and in different weather conditions.
- Know your skills and limits, and ride within them.
- Allow only licensed, experienced operators to ride your motorcycle, and then only after they have become familiar with its controls and operation. Make sure all riders read and understand this owner's manual before riding.
- Do not ride when you're fatigued or under the influence of alcohol, prescription drugs, over-the-counter drugs or any other drugs.
- If your motorcycle operates abnormally, correct the problem immediately. See the *VICTORY Service Manual* or your authorized VICTORY dealer. Continued operation could aggravate the initial problem, increase the cost of repairs and threaten your safety.



## Safe Riding Practices

- Ride defensively, as if you are invisible to other motorists, even in broad daylight. *A motorist's failure to see or recognize a motorcycle is the leading cause of automobile/motorcycle accidents.* Ride where you're clearly visible to other motorists, and observe their behavior carefully.
- Be especially cautious at intersections, as these are the most likely places for an accident.
- To prevent loss of control, keep your hands on the handlebars and your feet on the footrests.
- Do not move or operate the motorcycle with the steering locked (with accessory lock), as the severely restricted steering could result in loss of control.
- Obey the speed limit and adjust your speed and riding technique based on road, weather and traffic conditions. As you travel faster, the influence of all other conditions increases, which can affect the motorcycle's stability and increase the possibility of losing control.
- Reduce speed when:
  - *the road has potholes or is otherwise rough or uneven.*
  - *the road contains sand, dirt, gravel or other loose substances.*
  - *the road is wet, icy or oily.*
  - *the road contains painted surfaces, manhole covers, metal grating, railway crossings or other slippery surfaces.*

# Safety

## Safe Riding Practices

- Reduce speed when:
  - *the weather is windy, rainy or otherwise causing slippery or rapidly changing conditions.*
  - *traffic is heavy, congested, not allowing sufficient space between vehicles or otherwise not flowing smoothly.*
  - *you are being passed in either direction by a large vehicle that produces a wind blast in its wake.*
- To maximize braking effectiveness, use the front and rear brakes together. Improper braking may cause loss of control or may not slow the vehicle in time to avoid a collision. Be aware of the following important braking facts and practices:
  - *The rear brake provides 40% of the motorcycle's stopping power, at most. Use the front and rear brakes together.*
  - *To avoid skidding, apply the brakes gradually when the road is wet or rough, or contains loose or other slippery substances.*
  - *If possible, avoid applying the brakes while making a turn. Motorcycle tires have less traction during turns, so braking will increase the possibility of skidding. Bring the motorcycle to the upright position before applying the brakes.*

## Safe Riding Practices

- When approaching a curve, choose a speed and lean angle that allows you to pass through the curve in your own lane without applying the brakes. Excessive speed, improper lean angle or braking in a curve can cause loss of control.
- Ground clearance is reduced when the motorcycle leans. Do not allow components to contact the road surface when leaning the motorcycle in a curve, as this could cause loss of control.
- Retract the sidestand fully before riding. If the sidestand is not fully retracted, it could contact the road surface and cause loss of control.
- Do not tow a trailer. Towing a trailer can make the motorcycle hard to handle, which could cause loss of control.

# Safety

## Safe Riding Practices

### Carrying a Passenger

*Do not carry a passenger unless the motorcycle is equipped with passenger seat and passenger footrests.*

#### **To carry a passenger safely:**

- Do not exceed the gross vehicle weight rating (GVWR) for your motorcycle.
- Direct the passenger to hold onto you or the seat strap with both hands and to keep both feet on the passenger footrests. Do not carry a passenger who cannot place both feet firmly on the passenger footrests. A passenger who is not holding on properly, or who cannot reach the passenger footrests, can shift their body erratically, which can make the motorcycle hard to handle and cause loss of control.
- If necessary, adjust the rear shock preload. See page 90. Improper preload adjustment can make your motorcycle hard to handle and can cause loss of control.
- Before riding, be sure your passenger knows safe riding procedures. Discuss any safety information unfamiliar to your passenger. A passenger who is unaware of safe riding procedures may distract you or make movements that make the motorcycle hard to handle.
- Adjust your riding style to compensate for the differences in handling, acceleration and braking caused by the additional weight of the passenger. Failure to do so can cause loss of control.

## Safe Riding Practices

### Protective Apparel

Wear protective apparel to decrease the risk of injury and increase riding comfort.

- Always wear a helmet that meets or exceeds established safety standards. Approved helmets in the USA and Canada bear a U.S. Department of Transportation (DOT) label. Laws in some areas *require* that you wear an approved helmet. Head injuries are the leading cause of fatalities in accidents involving motorcycles. Statistics prove that an approved helmet is the most effective protection in preventing or reducing head injuries.
- Wear eye protection to protect eyes from wind or airborne particles and objects. Laws in some areas *require* that you wear eye protection. VICTORY recommends that you wear approved Personal Protective Equipment (PPE) bearing markings such as VESC 8, V-8, Z87.1, or CE. Make sure protective eyewear is kept clean.
- All riders should wear bright or light-colored and/or reflective clothing to improve visibility to other motorists. *A motorist's failure to see or recognize a motorcycle is the leading cause of automobile/motorcycle accidents.*
- Wear gloves, a jacket, heavy boots and long pants to prevent or reduce injury from abrasions, lacerations or burns should the motorcycle fall. Wear boots with low heels, as high heels can catch on pedals or footrests. The combination of boots and pants should completely cover legs, ankles and feet, protecting skin from engine and exhaust system heat.
- Do not wear loose, flowing clothing or long boot laces, as they can catch on handlebars, levers or footrests, or they can become entangled in the wheels, causing loss of control and serious injury.

# Safety

## Gross Vehicle Weight Rating (GVWR)

**WARNING!** Exceeding the gross vehicle weight rating of your motorcycle can reduce stability and handling and could cause loss of control. NEVER exceed the GVWR of your motorcycle.

The *maximum load capacity* of your motorcycle is the maximum weight you may add to your motorcycle *without exceeding the GVWR*. This capacity is determined by calculating the difference between your motorcycle's GVWR and wet weight.

Refer to the specification section of this manual or the Manufacturing Information/VIN label on the motorcycle frame for model-specific information. Refer to the "Safety and Information Labels" section in this manual for location on the motorcycle.

When determining the weight you will be adding to your motorcycle, and to ensure you do not exceed the maximum load capacity, include the following:

- operator body weight
- passenger body weight
- weight of all riders' apparel and items in or on apparel
- weight of any accessories *and their contents*
- weight of any additional cargo on the motorcycle

## Carrying Cargo

Use the following guidelines when attaching cargo or accessories to the motorcycle. Where applicable, these guidelines also refer to the contents of any accessories.

- Keep cargo and accessory weight to a minimum, and keep items as close to the motorcycle as possible to minimize a change in the motorcycle's center of gravity. Changing the center of gravity can cause loss of stability and handling and result in loss of control.
- Distribute weight evenly on both sides of the motorcycle. Maintain even weight distribution by checking accessories and cargo to make sure they're securely attached to the motorcycle before riding and whenever you take a break from riding. Uneven weight distribution, or accessories or cargo that shift suddenly while you're riding can make the motorcycle hard to handle and result in loss of control.
- Do not attach large or heavy cargo such as sleeping bags, duffel bags or tents to the handlebars, front fork area or front fender. Cargo or accessories placed in these areas can cause instability (due to improper weight distribution or aerodynamic changes) and can cause loss of control. Such items can also block air flow to the engine and cause overheating that can damage the engine.
- Do not exceed the maximum cargo weight limit of any accessory (see accessory instructions and labels). Do not attach cargo to an accessory not designed for that purpose. Either circumstance could result in an accessory failure that could cause loss of control.
- Do not attach anything to the highway bar except highway footrests.

# **Safety**

## **Carrying Cargo**

### **Saddlebags**

When operating a motorcycle with original equipment or accessory saddlebags:

- Never ride at speeds exceeding 80 mph (120 km/h). Depending on load and weather conditions, the maximum safe operating speed may be less. Saddlebags, combined with the lifting or buffeting effects of wind, can make the motorcycle unstable and cause loss of control.
- Distribute weight evenly in each of the saddlebags.
- Do not exceed the maximum cargo capacity of the saddlebags.
- Do not exceed the GVWR for your motorcycle.



### **Parking the Motorcycle**

When leaving the motorcycle unattended, turn the engine off and remove the ignition key. See page 69.

Park the motorcycle where people are not likely to touch the hot engine or exhaust system or place combustible materials near these hot areas. Do not park near a flammable source such as a kerosene heater or an open flame, where hot components could ignite combustible materials.

Park the motorcycle on a firm, level surface. Sloped or soft surfaces may not support the motorcycle. If you must park on a slope or soft surface, follow the precautions outlined on page 69.

### **Modifications**

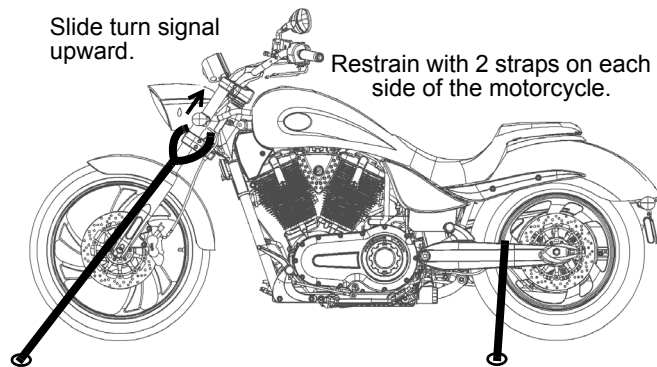
Modifying the motorcycle by removing any equipment or by adding equipment not approved by VICTORY may void your warranty. Such modifications may make the motorcycle unsafe to ride and could result in severe injury to operator or passengers, as well as damage to the motorcycle. Some modifications may not be legal in your area of operation. If in doubt, contact your authorized VICTORY dealer.

# Safety

## Transporting the Motorcycle

When transporting the motorcycle:

- Use a truck or trailer. Do not tow the motorcycle with another vehicle, as towing will impair the motorcycle's steering and handling.
- Restrain the motorcycle in an upright position. If the motorcycle leans, gasoline may leak from the fuel tank and result in a fire hazard or damage to the finish.
- Place the transmission in neutral.
- *Do not place restraints on the handlebars.* Loosen the front turn signal mounts and slide them upward. Place tiedown straps around the fork tubes above the lower triple clamp. Secure the rear of the motorcycle with tiedowns around both sides of the swingarm, being careful to avoid the brake line, exhaust and drive belt.
- Reposition the turn signals before operating the motorcycle.



## Accessory Selection and Installation

Because VICTORY cannot test and make specific recommendations concerning every accessory or combination of accessories sold, the operator is responsible for determining that the motorcycle can be safely operated with any accessories or additional weight. Use the following guidelines when choosing and installing accessories:

- Do not install accessories that impair the stability, handling or operation of the motorcycle. Before installing an accessory, be sure that it does not:
  - *Reduce ground clearance when the motorcycle is either leaning or upright.*
  - *Limit suspension or steering travel or your ability to operate controls.*
  - *Displace you from your normal riding position.*
  - *Obscure lights or reflectors.*
- Do not install bulky or large accessories that can cause instability (due to the lifting or buffeting effects of wind) and loss of control.
- Do not install electrical accessories that exceed the capacity of the electrical system. Never install higher wattage light bulbs than those supplied as original equipment. An electrical failure could result and cause hazardous loss of engine power or lights, or damage to the electrical system.
- Always install accessories designed and approved by VICTORY specifically for your model, especially a windshield, backrest or luggage rack. An improperly designed or installed windshield, backrest or luggage rack can reduce stability, causing loss of control. Follow the instructions for proper installation and use.

# Safety

## Fuel and Exhaust Safety

### **⚠ WARNING**

Gasoline is highly flammable and explosive under certain conditions.

- Always exercise extreme caution whenever handling gasoline.
- Always turn off the engine before refueling.
- Always refuel outdoors or in a well-ventilated area.
- Open the fuel cap slowly. Do not overfill the tank. Do not fill the tank neck.
- Do not smoke or allow open flames or sparks in or near the area where refueling is performed or where gasoline is stored.

Gasoline and gasoline vapors are poisonous and can cause severe injury.

- Do not swallow gasoline, inhale gasoline vapors, or spill gasoline. If you swallow gasoline, inhale more than a few breaths of gasoline vapor, or get gasoline in your eyes, see a physician immediately.
- If gasoline spills on your skin or clothing, immediately wash it off with soap and water and change clothing.
- If gasoline spills on the any part of the motorcycle, immediately rinse it off with water.

Exhaust gases contain carbon monoxide, a colorless, odorless gas that can cause loss of consciousness or death in a short time.

- Never start the engine or let it run in an enclosed area.
- Never inhale exhaust gases.

## Safety Maintenance

### **⚠ WARNING**

Failure to perform safety maintenance as recommended can result in difficult handling and loss of control, which could result in serious injury or death. Always perform the safety maintenance procedures as recommended. Perform maintenance and repairs promptly as outlined in the *VICTORY service manual*, or see your authorized VICTORY dealer for service.

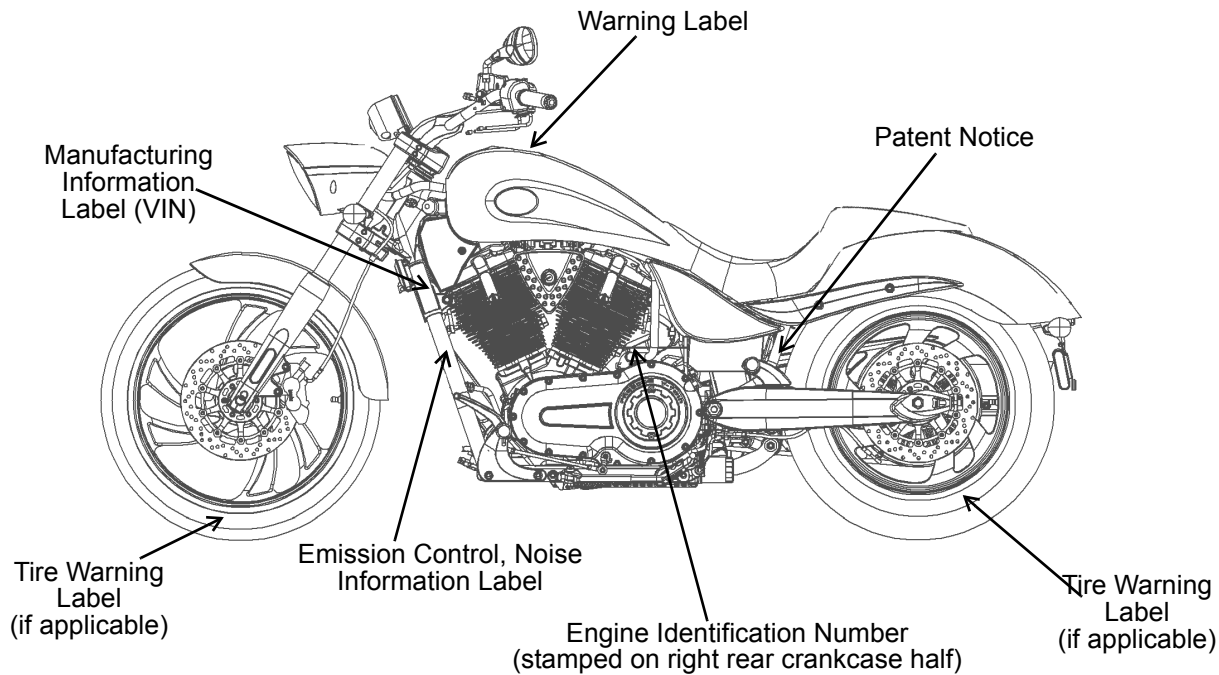
- Before each ride, perform the pre-ride inspections. See page 45.
- Perform maintenance at the intervals specified in the periodic maintenance table beginning on page 72.
- Always maintain proper tire pressure, tread condition and wheel and tire balance. Inspect tires regularly and replace worn or damaged tires promptly. Use only approved replacement tires.
- Always ensure proper steering head bearing adjustment. Regularly inspect the rear shock absorber and the front forks for fluid leaks or damage. Make any necessary repairs promptly.
- Clean the motorcycle thoroughly to reveal items in need of repair. See page 125.
- Make sure all legally required equipment is properly installed and in good condition, including the license plate.
- Fasteners must meet original specifications for quality, finish and type to ensure safety. Use only genuine VICTORY replacement parts, and ensure that all fasteners are tightened to the proper torque.

## Electromagnetic Interference

This vehicle complies with European directive 97/24/EC Chapter 8 requirements, which is equivalent to Canadian ICES-002.

# Safety

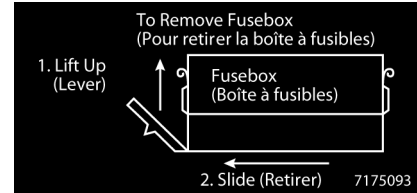
## Safety and Information Labels



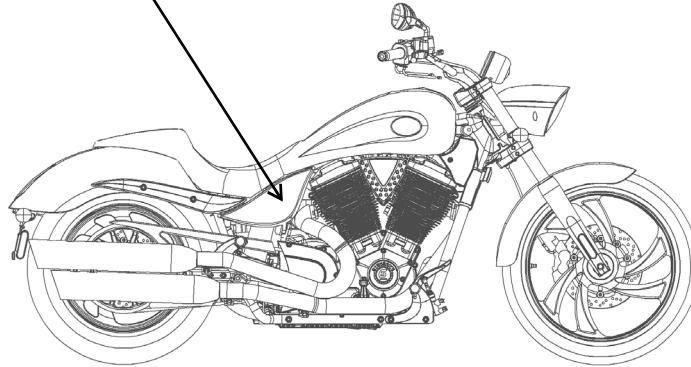
## Safety and Information Labels

ACCESSORY RELAY	FUEL PUMP RELAY	ENGINE RELAY	PRIMARY LIGHTS RELAY
SEC. LIGHTS 15A	PRI. LIGHTS 20A	ENGINE 15A	SECONDARY LIGHTS RELAY 7175523
ACCESSORY 15A	IGNITION 15A	FUEL PUMP 10A	

Fuse and Relay Label  
(under side cover, on side of fuse box cover)



Fuse Box Removal Instruction Label  
(on base of fuse box)



## **Safety**

### **Reporting Safety Defects**

If you believe that your vehicle has a defect that could result in a crash or cause injury or death, you should immediately inform the National Highway Traffic Safety Administration (NHTSA) in addition to notifying Polaris Industries in writing.

If NHTSA receives similar complaints, it may open an investigation, and if it finds that a safety defect exists in a group of vehicles, it may order a recall and remedy campaign. However, NHTSA cannot become involved in individual problems between you, your dealer or Polaris Industries.

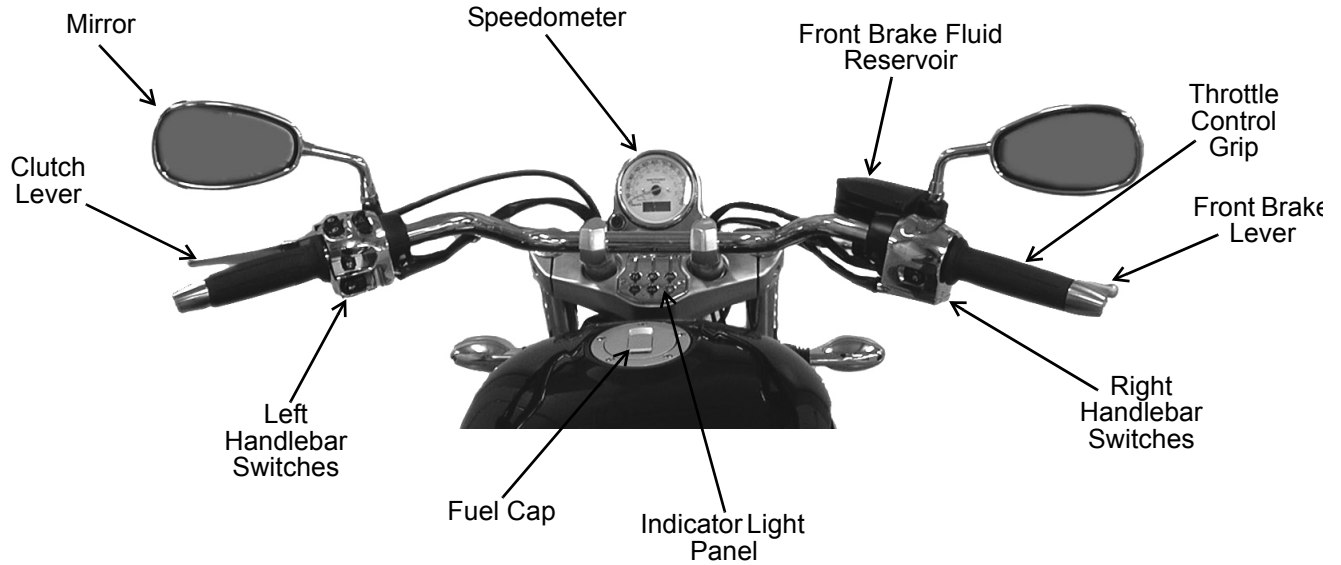
To contact NHTSA, or obtain other information about motor vehicle safety, you may call the Vehicle Safety Hotline toll free at 1-888-327-4236 (TTY: 1-800-424-9153), visit the NHTSA web site at [www.safercar.gov](http://www.safercar.gov), or write to:

ADMINISTRATOR, NHTSA  
1200 New Jersey Avenue, SE  
West Building  
Washington, DC 20590



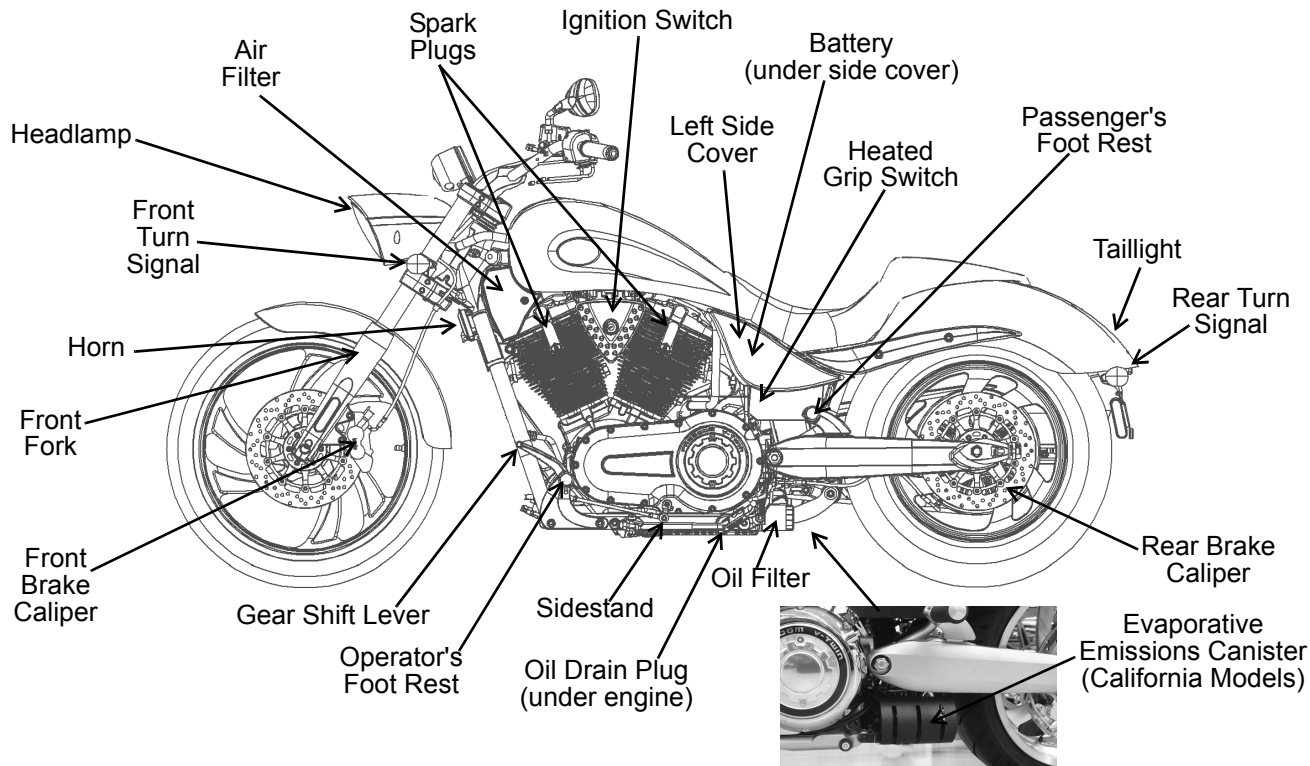
# Component Identification

## Handlebar Area



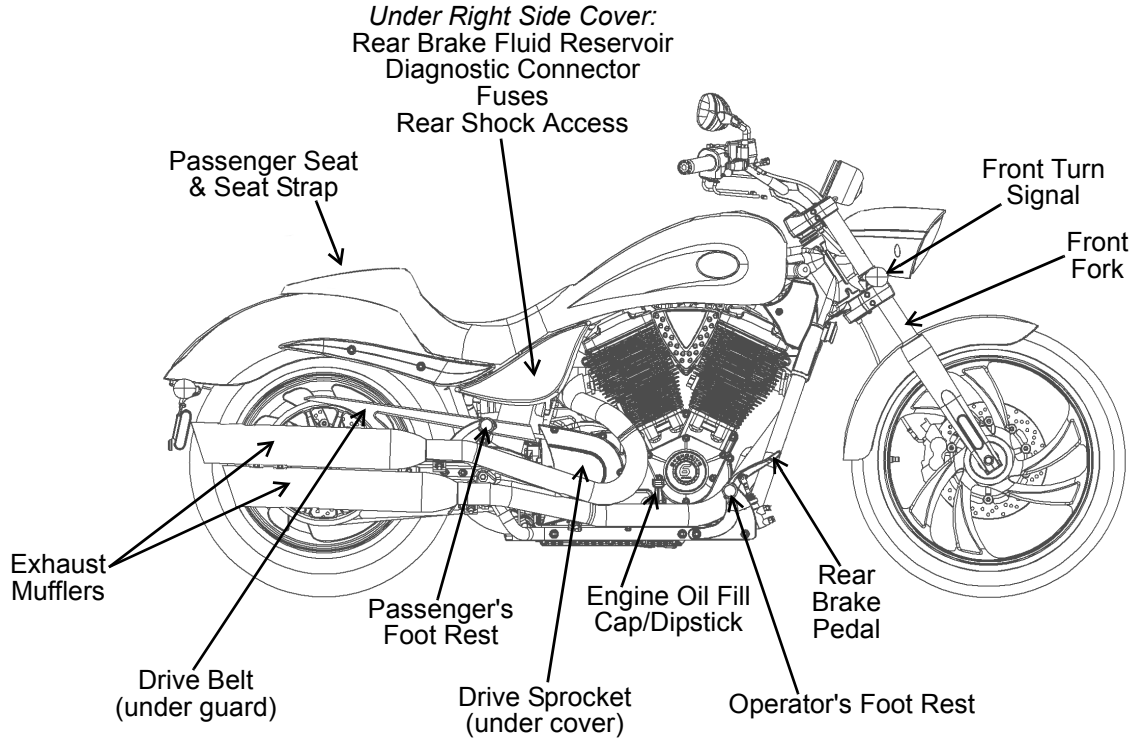
# Component Identification

## Left Side View



# Component Identification

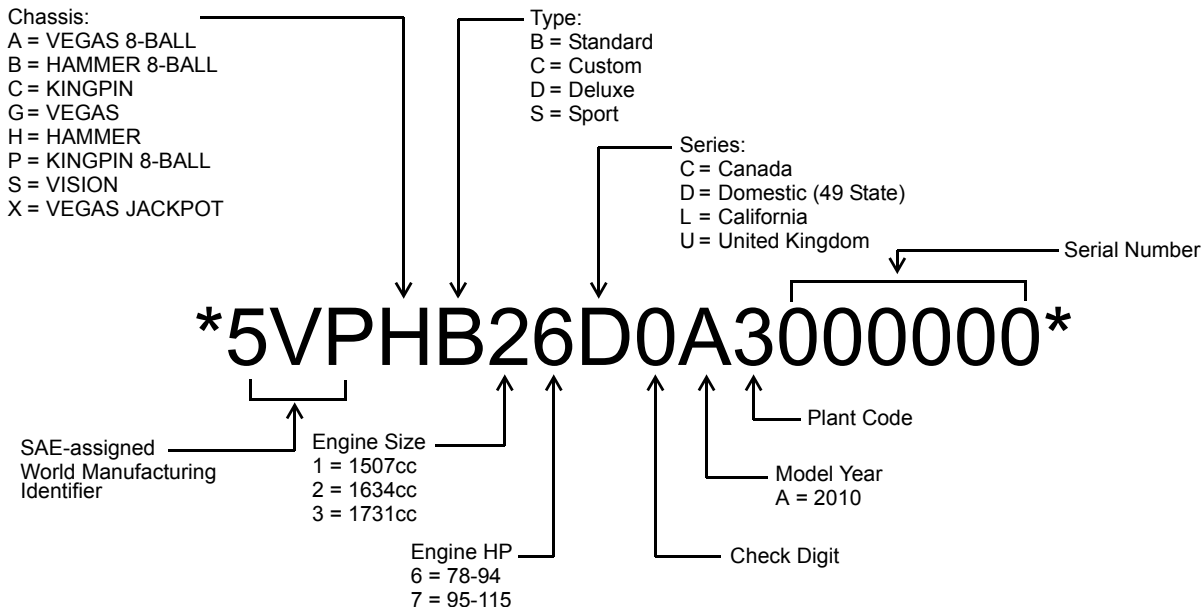
## Right Side View



# Component Identification

## Vehicle Identification Number

The vehicle identification number (VIN) is stamped into the front of the steering head and also appears on the certification label. Record the number in the space provided on page 155. You will need this identification number to title, register, license or insure the motorcycle, or to order replacement parts.



# Component Identification

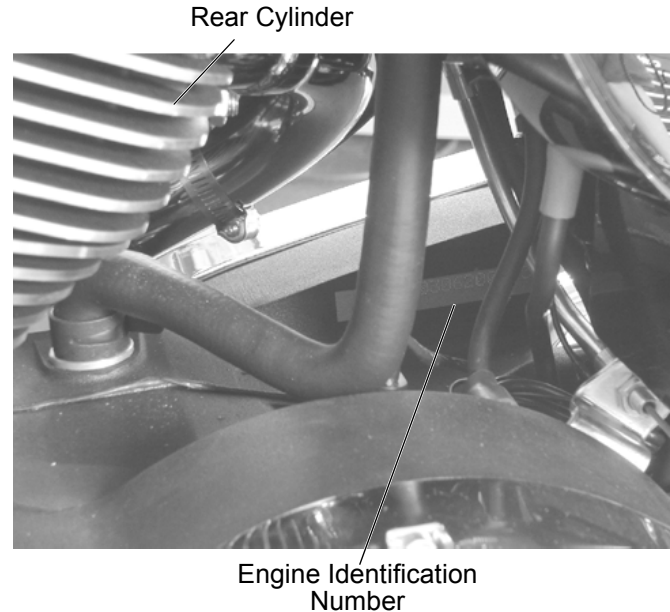
## Engine Identification Number

The engine identification number is a combination of the engine model and serial numbers. The first 8 digits are the engine model number and the last 5 digits are the serial number.

The engine identification number is stamped into the right crankcase half behind the rear cylinder. Record the number in the space provided on page 155. You will need this identification number to title, register, license or insure the motorcycle, or to order replacement parts.

## Ignition Key Number

The ignition key identification number is stamped into the shaft of each key. Record the number in the space provided on page 155. With the ignition key number and proof of ownership, an authorized VICTORY dealer can assist you in obtaining a replacement key.



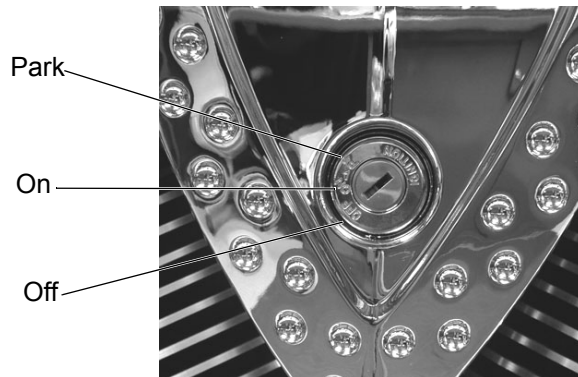
# Instruments, Features and Controls

## Ignition Switch

The ignition key operates the ignition switch and parking lights. The ignition switch provides electrical power to the ignition, the lighting system and all electrical switches and buttons. Before starting the engine, read the instructions for starting the engine. See page 62.

### Off Position

In the OFF position, all electrical circuits are inactive and the ignition key can be removed. Turn the ignition switch to the OFF position and remove the ignition key when leaving the motorcycle unattended.



## Ignition Switch

### On Position

In the ON position, all electrical circuits are energized and the ignition key cannot be removed. The headlamp, taillight, and instrument lights illuminate. The engine stop/run switch must be in the RUN position to start the engine or activate the emergency flashers, turn signals and other electrical features. See page 40.

### Park Position (P)

In the PARK position, the taillight, indicator lights, and license plate light illuminate. The emergency flashers can be activated, and the ignition key can be removed. You must push the ignition key into the switch while selecting the PARK position.

# Instruments, Features and Controls

## Instrument Cluster

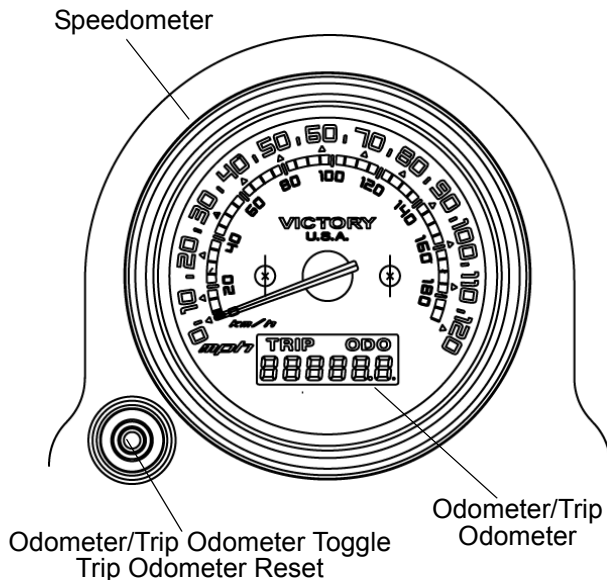
### Speedometer

The speedometer displays vehicle speed in either miles per hour (mph) or kilometers per hour (km/h).

### Tachometer (Accessory)

The tachometer displays engine speed in revolutions per minute (RPM). A red line on the gauge indicates maximum safe engine speed. The tachometer also contains the over-drive indicator lamp.

**WARNING!** Excessive engine speed could cause engine damage or failure, which could result in loss of control and serious injury or death. Do not operate the engine over 5600 RPM.





# Instruments, Features and Controls

## **Instrument Cluster**

### **Odometer**

The odometer displays total distance traveled.

### **Trip Odometer**

The trip odometer displays total distance traveled since the trip odometer was reset. To toggle the display between odometer and trip odometer, the ignition switch must be in the ON position. Press the reset button. The display changes to TRIP.

To reset the trip odometer, the ignition switch must be in the ON position with the display in trip odometer mode. Press and hold the reset button until the display resets to zero.

### **Overdrive Indicator Lamp**

If an accessory tachometer is installed, the overdrive lamp illuminates when overdrive (sixth gear) is selected.

## Instruments, Features and Controls Indicator Lights



### Neutral Indicator

The neutral indicator illuminates when the transmission is in neutral and the ignition key is ON.



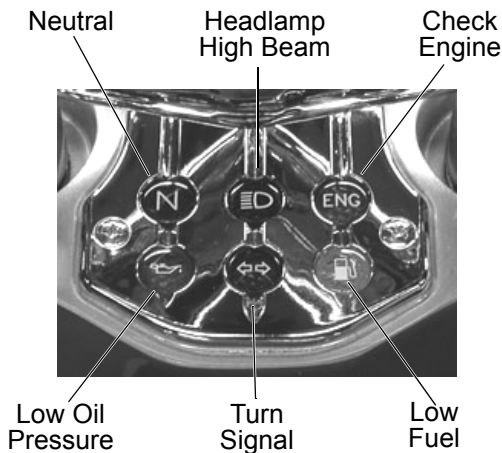
### Headlamp High Beam Indicator

The headlamp high beam indicator illuminates when the headlamp switch is set to high beam. See page 38.



### Check Engine Indicator

The check engine indicator will illuminate any time the ignition switch is in the ON position and the engine control module sensors report abnormal sensor or engine operation. The check engine indicator will continue to illuminate as long as the fault condition exists. It also illuminates momentarily when the ignition switch is in the ON position and the engine is not running. This demonstrates that the indicator is functioning properly.



**NOTICE:** If the check engine indicator illuminates while the engine is running, a serious engine problem may exist. Contact an authorized VICTORY dealer as soon as possible.

# Instruments, Features and Controls

## Indicator Lights



### Low Oil Pressure Indicator

The low oil pressure indicator illuminates when engine oil pressure drops below safe operating pressure. If this indicator illuminates while the engine is running, turn the engine off immediately and check the oil level. Add oil if necessary. If the oil level is correct and the indicator remains illuminated after the engine is restarted, turn the engine off immediately.

The low oil pressure indicator also illuminates when the ignition switch is in the ON position and the engine is not running. This demonstrates that the indicator is functioning properly.



### Turn Signal Indicator

The turn signal indicator flashes when the left, right, or both turn signals (hazard) are active.

If a turn signal bulb has failed, or if there is a short circuit in the turn signal system, the turn signal indicator flashes at more than twice the normal rate. See page 39 for operation procedures.



### Low Fuel Indicator

The low fuel indicator illuminates when approximately 0.8 gallons (3 l) of fuel remains in the fuel tank.

# Instruments, Features and Controls

## Left Handlebar Controls



### Emergency Flasher Switch

The emergency flasher switch activates and cancels the emergency flashers. When the emergency flashers are active, all of the turn signals flash. Press the top of the switch to activate the emergency flashers. Press the bottom of the switch to cancel the flashers.



### High Beam/Low Beam Light Switch

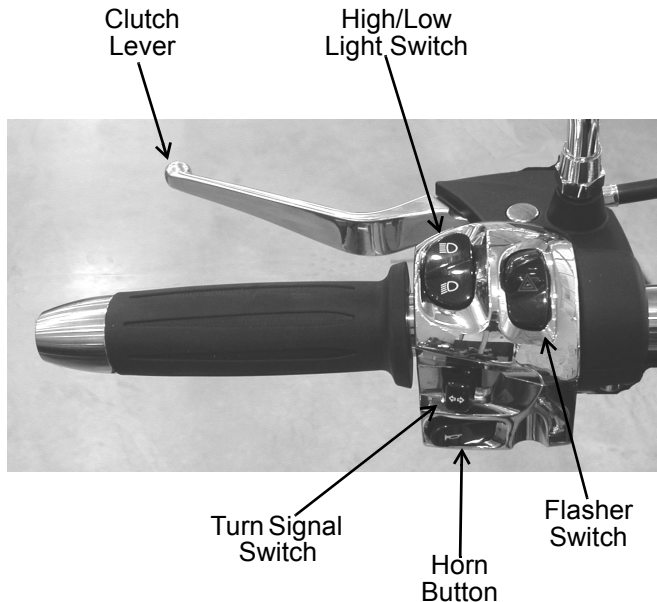


The headlight high/low beam switch toggles the headlight between high beam, low beam, and momentary passing beam. To activate the high beam, press the upper portion of the switch; to activate the low beam, press the lower portion of the switch. To activate the momentary passing beam, press and hold the lower portion of the switch.



### Horn Button

To sound the horn, press the horn button.



## Left Handlebar Controls

### Clutch Lever

To disengage the clutch, pull the lever toward the handlebar. To engage the clutch, gradually release the lever. For smooth clutch operation, pull the lever quickly and release it gradually.

**Tip:** The motorcycle is equipped with a clutch interlock switch that prevents the engine from starting when the transmission is in gear and the clutch is engaged. See page 62.

## Instruments, Features and Controls

### ↔ Turn Signal Switch

Move the switch to the left to activate the left turn signals. Move the switch to the right to activate the right turn signals. A signal will deactivate automatically when speed or distance reach predetermined levels. To cancel a signal manually, move the switch to the center position and push it inward.

*Momentary Feature:* Move the turn signal switch left or right and hold it in that position for at least one second. The momentary feature will activate and the signal will then cancel when the switch is released.

# Instruments, Features and Controls

## Right Handlebar Controls



### Engine Stop/Run Switch

The engine stop/run switch completes or interrupts the ignition, starter and fuel pump circuits.



To complete the circuits, allowing the engine to start and run, press the lower portion of the engine stop/run switch (RUN position). To interrupt the circuits, press the upper portion of the switch (STOP position). The engine should not start or run when the switch is in the STOP position.

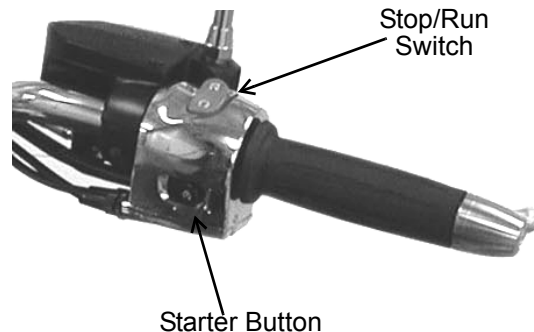
Use the engine stop/run switch to turn the engine off under either normal or emergency conditions.



### Starter Button

The starter button works only when the engine stop/run switch is in the RUN position and the transmission is in neutral or the clutch is disengaged (lever pulled in toward handlebar.) To engage the engine starter motor, press the right side of the starter button.

For complete engine starting procedures, see page 62.



# Instruments, Features and Controls

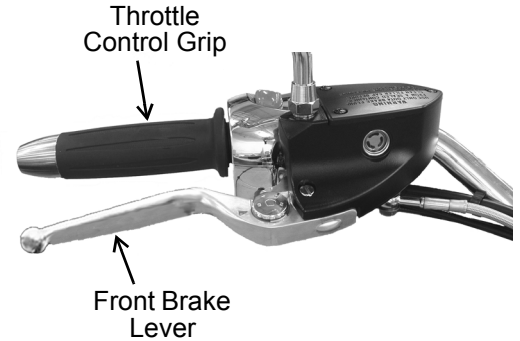
## Right Handlebar Controls

### Throttle Control Grip

The throttle control grip controls engine speed. To increase engine speed, twist the throttle control grip toward your body; to decrease engine speed, twist the grip away from your body. When you release the grip, it returns to the idle speed position.

### Front Brake Lever

The front brake lever is located on the right handlebar grip. To apply the front brake, pull the lever toward the handlebar. See page 67 for braking procedures.



## Instruments, Features and Controls

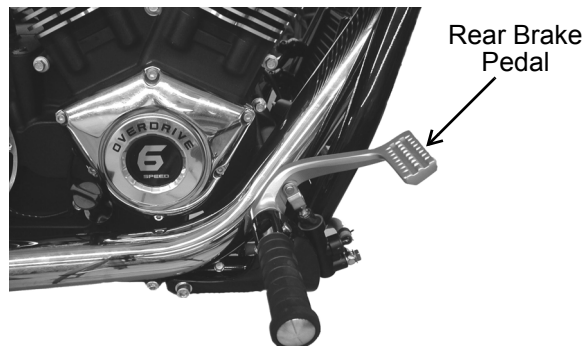
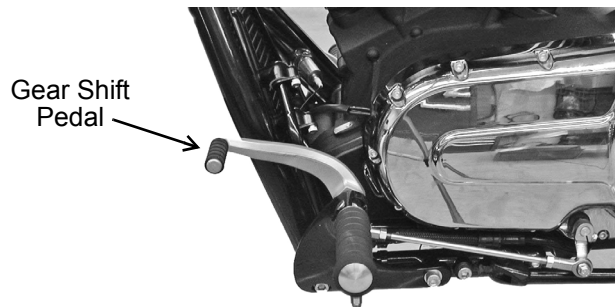
### Gear Shift Pedal

The gear shift pedal is located on the left side of the motorcycle. To shift to a lower gear, press down on the gear shift pedal. To shift to a higher gear, lift up on the gear shift pedal.

For proper gear shifting procedure, see pages 64-66.

### Rear Brake Pedal

The rear brake pedal is on the right side of the motorcycle. To engage the rear brake, press down on the rear brake pedal. See page 67 for braking procedures.





# Instruments, Features and Controls

## Fuel Cap

Use the ignition key to open and close the fuel cap. See page 61 for fueling procedures.

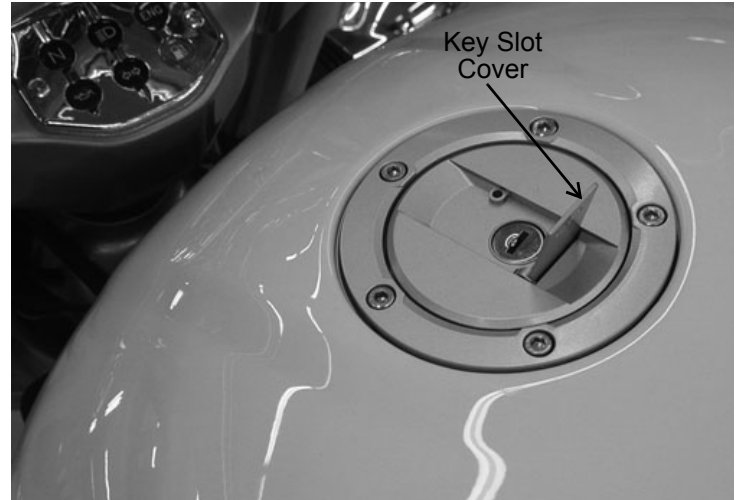
Prime the fuel pump if the tank is completely empty. See page 61.

### Open the fuel cap

1. Lift the key slot cover on the fuel cap and insert the key.
2. Turn the key clockwise while pushing downward lightly. The latch will release and allow you to open the cap.

### Close the fuel cap

1. Insert the key into the cap.
2. Turn the key clockwise and press downward on the cap.
3. While maintaining downward pressure on the cap, turn the key counterclockwise to engage the latch.
4. Remove the key and close the key slot cover.



## Instruments, Features and Controls

### Side Covers

**Tip:** Remove the left side cover to access the battery. Remove the right side cover to access the fuses and the rear brake fluid reservoir.

1. Pull outward at each corner of the side cover to disengage the darts.
2. Remove the side cover from the motorcycle.
3. To reinstall the side cover, make sure each rubber grommet is properly located. Align each dart with the appropriate grommet and press inward firmly to secure.

### Sidestand

The sidestand is located on the left side of the vehicle.

**WARNING!** An improperly retracted sidestand could contact the ground during operation and cause loss of control resulting in serious injury or death. Always make sure the sidestand is fully retracted before operating the motorcycle.

1. While the motorcycle is in the upright position, push the sidestand downward until it is fully extended.
2. Slowly lean the motorcycle to the left until the full weight of the motorcycle rests safely on the sidestand.
3. To retract the sidestand, bring the motorcycle to the upright position. Swing the sidestand upward to its fully retracted position.

Grommets



## Pre-Ride Inspections

To keep your motorcycle in safe operating condition, always perform the recommended pre-ride inspections before each ride. This is especially important before making a long trip and when removing the motorcycle from storage.

### **⚠ WARNING**

Failure to perform the recommended pre-ride inspections could result in component failure while riding, which could result in serious injury or death. Always perform the pre-ride inspections before each ride. When inspection reveals the need for adjustment, replacement or repair, perform the service promptly.

You must be familiar with all instruments and controls to perform the pre-ride inspections.

**Tip:** During the pre-ride inspections you may use products that are potentially hazardous, such as oil or brake fluid. When using any of these products, always follow the instructions and warnings on the product packaging.

When inspections reveal the need for adjustment, replacement or repair:

- refer to the maintenance section of this manual
- refer to the *VICTORY Service Manual*
- or see your authorized VICTORY dealer

## Pre-Ride Inspections

### Electrical Components

Move the ignition switch to the ON position before performing the electrical inspections outlined on this page. Return the ignition switch to the OFF position after completing these inspections. If inspection of any electrical item reveals component failure, repair or replace the component before operating the motorcycle.

Electrical Item	Inspection Procedure
Headlamp	Verify that the headlamp illuminates. Switch to high beam. Verify that the high beam indicator comes on and that lamp brightness increases.
Taillight/Brake Light	Verify that the taillight and license plate light illuminate. Verify that taillight brightness increases when the front brake lever is applied and also when the rear brake pedal is applied.
Turn Signals	Move the turn signal switch to the left. Verify that front and rear left turn signals flash, as well as the corresponding light on the indicator panel. Push the switch inward to cancel the signal. Verify that the signals and the indicator light stop flashing. Repeat the procedure for the right turn signals.
Emergency Flashers	Slide the emergency flasher switch to the left. Verify that all four turn signals flash, as well as the light on the indicator panel. Slide the switch to the right. Verify that all signals and indicators stop flashing.
Horn	Press the horn button. Verify that the horn sounds loudly.
Low Oil Pressure Indicator	Start the engine. Verify that the low oil pressure indicator goes off.
Neutral Indicator	Place the transmission in neutral. Verify that the neutral indicator comes on.
Engine Stop/Run Switch	Start the engine. Move the stop/run switch to the STOP position. Verify that the engine stops. Attempt to restart the engine to verify that the engine WILL NOT start.

# Pre-Ride Inspections

## Engine Oil Level

The oil fill cap/dipstick is located on the right side of the vehicle. We recommend the use of only VICTORY brand Semi-Synthetic 20W-40 Motor Oil or an equivalent oil designed for use with wet clutches (such as those with a JASO MA rating).

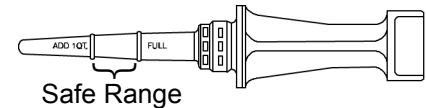
**NOTICE:** Operating the engine with too much or too little oil can cause serious engine damage or engine seizure, which could result in loss of control and serious injury or death. Do not operate the motorcycle with the oil level above the FULL mark or below the ADD mark.

**Tip:** The engine must be at normal operating temperature when checking the oil level.

1. Place the transmission in neutral. Start the engine and allow it to idle for several minutes.
2. Stop the engine and wait 3-5 minutes before checking the oil level.
3. On level ground, straddle the motorcycle and bring it to the fully upright position.
4. Remove the oil fill cap/dipstick and wipe it clean. Reinstall the dipstick and turn the cap clockwise until it seats.
5. Remove the dipstick and view the oil level. Add or remove oil as needed to bring the level into safe operating range (between the FULL and ADD marks) on the dipstick.
6. Repeat steps 1 and 2 each time you adjust the oil level.



Oil Fill  
Cap/Dipstick



## Pre-Ride Inspections

### Fuel Level

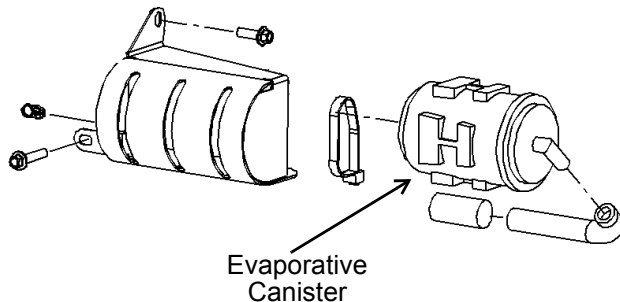
1. On level ground, straddle the motorcycle and bring it to the fully upright position.
2. Start the engine. The low fuel indicator light will stay on if the fuel tank level is less than .80 gallons (3 l).
3. Add fuel as needed.

### Fuel Hose, Rail and Connections

Inspect the fuel hoses for cracks or damage. Inspect the hose connection at the fuel tank and at the fuel rail for dampness or stains from leaking or dried fuel.

### Evaporative Emission Control System (California Models)

Inspect all evaporative emission control system hoses and connections. Make sure all connections are tight. Inspect the evaporative canister to make sure it has not been damaged. The canister is located on the left side of the motorcycle behind the sidestand.



# Pre-Ride Inspections

## Tire Pressure

Check tire pressure before riding, when the tires are cold. This will provide the most accurate reading, as riding warms the tires and increases tire air pressure. Adjust tire pressure as needed based on the total weight of your intended load. Refer to the tire pressure table on page 110.

## Tire Condition

Inspect the tire sidewalls, road contact surface and tread base. If inspection reveals cuts, punctures, cracks or other wear or damage, replace the tire before riding.

## Tire Tread Depth

Wear bars (raised areas at the base of the tread) are easily visible tread depth indicators. When the road contact surface has worn to the top of the wear bars, replace the tire. See page 111.

## Cargo Restraints

Inspect all cargo restraints when carrying cargo. Make sure all restraints are tightly secure to prevent cargo from shifting.

## Pre-Ride Inspections

### Front Brake Lever

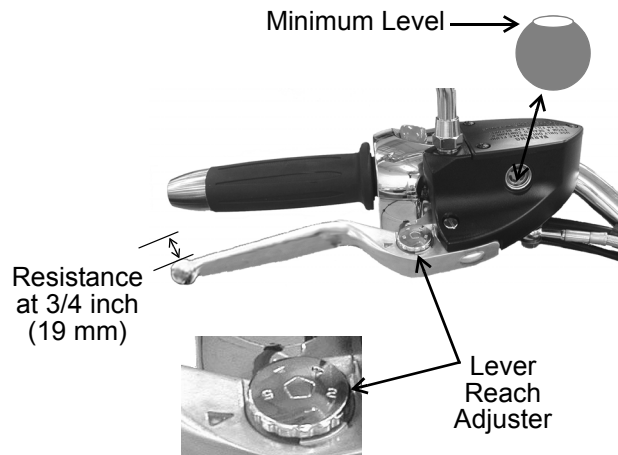
Pull the front brake lever toward the handlebar and release it. It should move freely and smoothly, and it should return to its rest position quickly when released. You should feel a firm resistance in the lever within the first 3/4 inch (19 mm) of lever travel.

If the lever fails to perform as stated, service the brake lever before riding. See the *VICTORY Service Manual* or your authorized VICTORY dealer.

### Brake Lever Reach Adjustment

Lever reach (distance to the hand grip) is adjustable.

1. Pull and hold the lever away from the grip.
2. To increase reach distance, turn the adjuster to align a lower number to the indicator mark on the lever.
3. To decrease reach distance, turn the adjuster to align a higher number to the indicator mark on the lever.





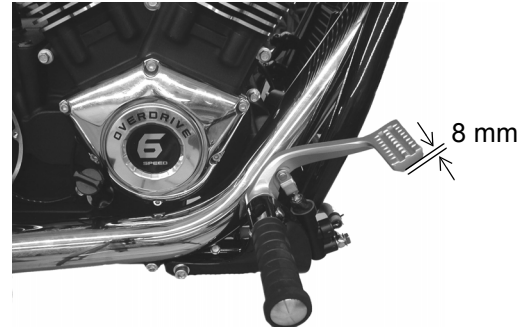
# Pre-Ride Inspections

## Front Brake Fluid Level

1. Straddle the motorcycle and bring it to the fully upright position. Position the handlebars so that the fluid reservoir is level.
2. View the fluid level through the sight glass. The fluid should be clear. Replace cloudy or contaminated fluid.
3. The fluid level should be at or above the top of the sight glass. Add fluid as needed. See page 105.

## Rear Brake Pedal

Press and release the rear brake pedal. It should move freely and smoothly, and it should return to its rest position quickly when released. You should feel a firm resistance in the pedal within the first 3/8 inch (8 mm) of pedal travel. If the brake pedal fails to perform as stated or travels too far before beginning to engage the brake, see the *VICTORY Service Manual*, or contact an authorized VICTORY dealer for service.



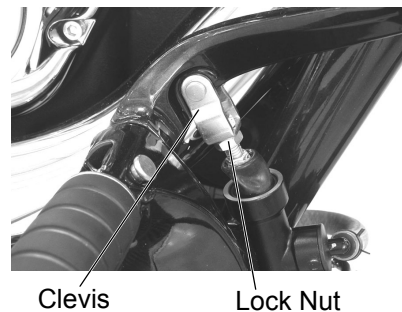
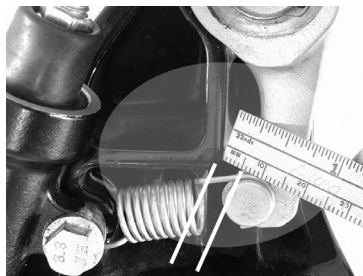
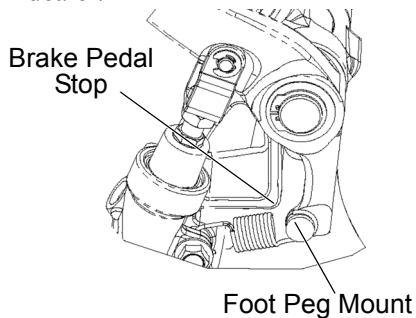
# Pre-Ride Inspections

## Rear Brake Pedal

### Brake Pedal Gap

With the brake pedal in the relaxed position, and with the master cylinder piston positioned against the internal stop, measure the distance between the brake pedal stop and the foot peg mount. The gap should be 2-5 mm. Make adjustments as needed.

1. Hold the clevis to prevent it from bending. Loosen the brake linkage rod lock nut.
2. Turn the linkage rod in or out as necessary.
3. Hold the clevis and tighten the lock nut securely against the clevis.
4. Verify that the gap is 2-5 mm.
5. Verify that the rear wheel rotates freely through the full freeplay range of pedal without dragging or binding. If drag is present with the pedal released, refer to the *VICTORY Service Manual* or contact an authorized Victory dealer.



# Pre-Ride Inspections

## Rear Brake Fluid Level

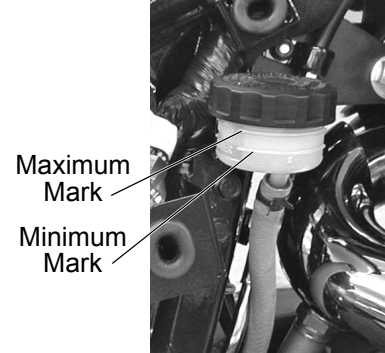
1. Remove the right side cover.
2. Straddle the motorcycle and bring it to the fully upright position.
3. View the brake fluid through the reservoir. The fluid should be clear. Replace cloudy or contaminated fluid.
4. The fluid level should be between the minimum and maximum marks on the reservoir. Add fluid as needed. See page 106.

## Brake Lines

1. Inspect all brake hoses and connections for dampness or stains from leaking or dried fluid.
2. Tighten any leaking connections and replace components as necessary.

## Brake Pads

Inspect front and rear brake pad thickness. Replace brake pads when wear lines are no longer visible, or when pad thickness reaches 1.5 mm. See page 108.



# Pre-Ride Inspections

## Throttle

1. Rotate the throttle control grip. It should rotate smoothly from the rest position to the completely open position. It should return to the rest position quickly when released.
2. Remove the right side access cover. Inspect throttle cables for frayed ends.
3. Service the throttle system if throttle operation is not smooth, if throttle grip does not return properly, or if cable ends are frayed. See the *VICTORY Service Manual* or your authorized VICTORY dealer.



## Throttle Freeplay

Throttle freeplay is the amount of throttle control grip movement from the rest position to the point of cable resistance. Measure this distance. Freeplay should be 2-4 mm. Adjust throttle freeplay as needed. See page 99.

Access Cover



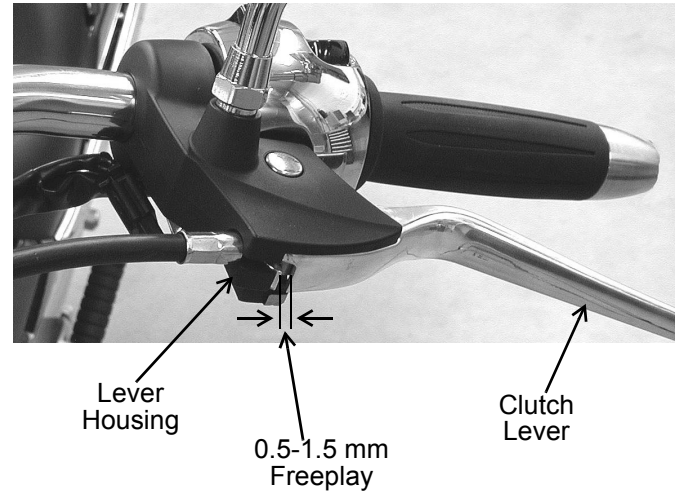
Throttle Cable Ends



## Mechanical Clutch

1. Squeeze the clutch lever toward the handlebar and release it. It should move freely and smoothly, and it should return to the rest position quickly when released. If the lever fails to perform as stated, service the clutch lever before riding.
2. Freeplay (gap) is the amount of lever movement from the rest position to the point of cable resistance. Clutch lever freeplay should be 0.5-1.5 mm. Measure the gap between the clutch lever and the lever housing. Adjust clutch lever freeplay if necessary. See page 100.

**Tip:** The starter interlock switch is dependent on the clutch lever freeplay being set correctly to ensure activation of the clutch safety switch.

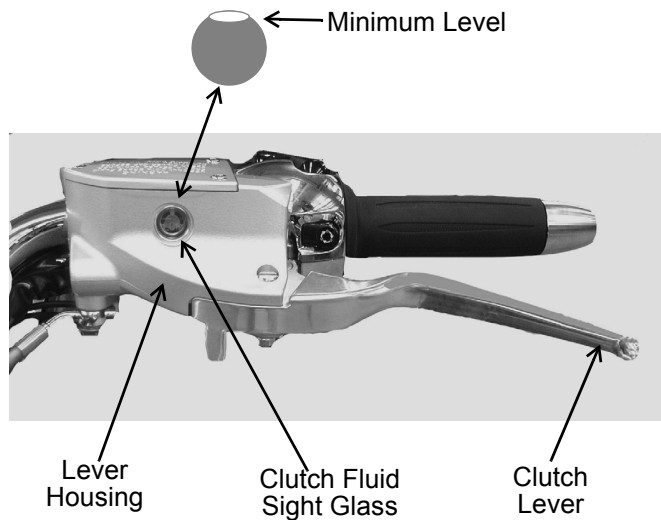


## Pre-Ride Inspections

### Hydraulic Clutch Fluid Level

Check the hydraulic clutch fluid level.

1. Position the motorcycle on level ground with the front wheel straight forward. Do not use the sidestand. Position the handlebars so that the clutch fluid reservoir is level.
2. View the fluid level through the sight glass. The fluid should be clear. Replace cloudy or contaminated fluid.
3. The fluid level should be at or above the top of the sight glass. Add fluid as needed. See page 103.



## Front Suspension

Inspect the front forks for oil leaks or damage, and verify smooth suspension operation. See page 93.

## Steering

On level ground, straddle the motorcycle and bring it to the fully upright position. Turn the handlebars from stop to stop. The action should be smooth but not loose. Make sure wires, hoses and control cables do not interfere with smooth steering.

## Rear Suspension

Proper rear suspension adjustment is essential for a safe and comfortable ride. Check rear shock absorber movement and preload to ensure the correct amount of suspension travel and ground clearance. See page 88.

**WARNING!** Inadequate ground clearance could result in components contacting the ground, causing loss of control resulting in serious injury or death. Always ensure ground clearance is at specification.

## Drive Belt

1. Check drive belt tension. See page 78. The drive belt should fit tightly.

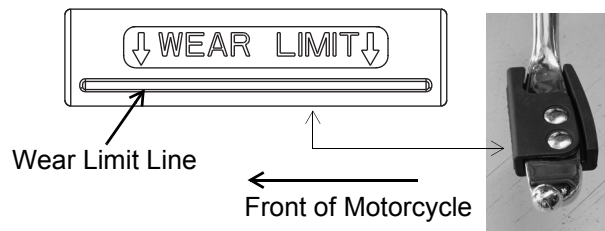
**Tip:** The drive belt system must be cool, clean and dry to accurately measure belt tension (deflection). Do not measure belt tension when the belt or drive system is wet, or when it is hot (such as immediately after riding).

2. Inspect drive belt condition. If you discover cracks, broken teeth or frayed edges, replace the drive belt before riding. See the *VICTORY Service Manual* or your authorized VICTORY dealer.

## Pre-Ride Inspections

### Sidestand

1. Straddle the motorcycle and bring it to the fully upright position.
2. Move the sidestand upward to the stored position and downward to the fully extended position several times. It should move smoothly and quietly. Make sure the return spring holds the sidestand tightly in place when the sidestand is in the stored position.
3. Replace a bent sidestand immediately. Do not try to straighten a bent sidestand. The sidestand will be weakened, and may not be able to support the motorcycle.
4. Inspect the sidestand pivot bolt for looseness or wear. Tighten or replace a loose or worn bolt.
5. Inspect the sidestand rubber pad. Make sure the pad is firmly attached to the sidestand. Check the wear indicator on the leading edge of the pad. Replace the pad when it's worn beyond the wear limit line.



### Fasteners

1. Inspect the entire motorcycle chassis and engine for loose, damaged or missing fasteners. Tighten loose fasteners to the proper torque.

**Tip:** Refer to the specifications section of this manual or to the *VICTORY Service Manual* for torque values.

2. Always replace stripped, damaged or broken fasteners before riding. Use genuine VICTORY fasteners of equal size and strength.



## Engine Break-in Period

The operation section describes how to operate your VICTORY motorcycle to ensure the best performance and longevity of the engine and other components.

- Engine Break-in Period
- Fueling and Fill Height
- Starting the Engine
- Shifting Gears
- Accelerating
- Braking
- Stopping the Engine
- Parking

For safe operation and riding, see the safety section beginning on page 6.

During the first 500 miles (800 km), critical engine parts require special wear-in procedures so they seat and mate properly. Read, understand and use the following rules for operating the motorcycle during the first 500 miles (800 km).

**NOTICE:** Do not put unnecessary load on the engine during the first 500 miles (800 km). Avoid prolonged full throttle operation or any condition that creates excessive engine heat.

# Operation

## Engine Break-in Period

**NOTICE:** If engine trouble should occur during the engine break-in period, consult the maintenance section of the Owner's Manual, the *VICTORY Service Manual*, or an authorized VICTORY dealer immediately.

Failure to perform the initial maintenance as recommended could result in less than desirable engine performance in the future. Perform the initial maintenance as recommended.

Odometer Reading		Instructions
Miles	Kilometers	
0-90	0-145	Do not operate for extended periods of time at throttle positions above 1/3 throttle. Vary the engine speed frequently. Do not operate for extended periods of time at any one throttle position.
90-300	145-483	Do not operate for extended periods of time at throttle positions above 1/2 throttle. Vary the engine speed frequently. Do not operate for extended periods of time at any one throttle position.
300-500	483-800	Do not operate for extended periods of time at throttle positions above 3/4 throttle.
At 500	800	Perform the initial maintenance as described in the maintenance section of the owner's manual. This critical maintenance should be performed by an authorized VICTORY dealer. Initial maintenance includes servicing all adjustments, tightening all fasteners and changing engine oil.

## Engine Break-in Period Fueling and Fill Height

Always heed the fuel warnings on page 22. Always refuel on level ground with the sidestand down. Use only the recommended fuel. See page 154. Fill the fuel tank to a level just below the bottom of the fuel filler insert.

**WARNING!** Overflows or spilled gasoline could contact a hot engine or exhaust system and cause a fire, which could result in serious injury or death. Do not allow gasoline to contact hot components. Fuel expands in the fuel tank. Do not overfill. To prevent leaks, make sure the fuel filler cap is properly seated and locked.

**NOTICE:** Fuel can damage painted surfaces and plastic parts. If gasoline spills on the any part of the motorcycle, immediately rinse it off with water.

## Priming the Fuel System

If the motorcycle runs out of fuel, prime the fuel system before attempting to restart the engine.

1. Fill the fuel tank.
2. Turn the ignition switch to the ON position.
3. Move the engine stop/run switch from the STOP position to the RUN position.
4. Allow the fuel pump to run until it stops (about 3 seconds).
5. Move the engine stop/run switch to the STOP position.
6. Wait 3 seconds to allow the engine control module to reset.
7. Repeat steps 3-6 four to five times.

# Operation

## Engine Break-in Period

### Starting the Engine

The starter interlock system allows the engine to be started only when the transmission is in neutral, or when the transmission is in gear with the clutch disengaged (clutch lever pulled in).

**Tip:** If the motorcycle runs out of fuel, prime the system before attempting to restart the engine. See page 61.

1. Perform the pre-ride inspections. See page 45.
2. Insert the key into the ignition switch and turn the switch to the ON position.
3. Straddle the motorcycle and bring it to the fully upright position.
4. Engage the front brake and place the sidestand in the stored (up) position.
5. If the neutral indicator is not illuminated, shift the transmission to neutral. See page 64.
6. Move the engine stop/run switch to the RUN position. You should hear the fuel pump run momentarily as it pressurizes the fuel system.

## Engine Break-in Period

### Starting the Engine

**CAUTION!** Do not rev the engine or put the transmission in gear immediately after starting the engine. Allow the engine to idle for about one minute after a cold start, or 30 seconds after a warm start, to allow the oil to reach all areas requiring lubrication before the engine is put under load.

7. Leaving the throttle closed, press and hold the starter button to start the engine. Release the button promptly when the engine starts. If the engine does not start within 10 seconds, release the starter button. Wait five seconds, then try again.

**Tip:** Hold the starter button for as short a time as possible to minimize battery drain. Do not hold the starter button for more than 10 seconds at one time.

8. If either the check engine indicator or the low oil pressure indicator does not go out after the engine starts, stop the engine. Refer to either the check engine indicator information on page 36 or the low oil pressure indicator information on page 37.

### Tilt Sensor

The tilt sensor (if equipped) stops the engine if the motorcycle tips beyond 45 degrees to one side. If this occurs, the check engine light will also illuminate. To restart the engine, cycle the ignition switch to the OFF position, wait 10 seconds, then restart the engine.

## Operation

### Shifting Gears

**WARNING!** Forced shifting (with clutch engaged) could cause damage to the engine, transmission and drive train. Such damage could cause loss of control, which could result in serious injury or death. Always pull the clutch lever fully toward the handlebars to disengage the clutch before shifting gears.

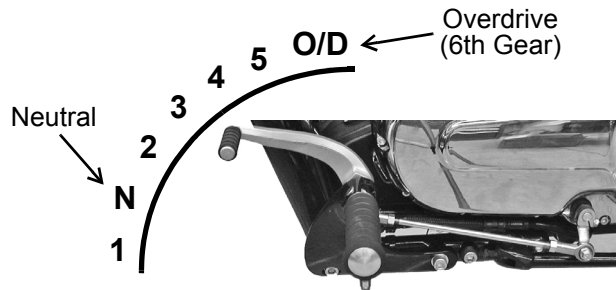
This motorcycle is equipped with a six-speed transmission. The sixth gear is overdrive. Neutral is located between first and second gear.

**Tip:** The transmission is in neutral if you can move the motorcycle forward or rearward freely without disengaging the clutch. If the ignition switch is on, the neutral indicator illuminates when the transmission is in neutral.

1. Start the engine. See page 62.
2. With the engine at idle speed, pull the front brake lever toward the handlebar.
3. Pull the clutch lever toward the handlebar.

**Tip:** Shift to a higher gear by lifting the front of the gear shift pedal with your toe. Shift to a lower gear by pressing the pedal downward.

4. Push the shift pedal downward until you feel it stop in first gear.



## Shifting Gears

5. Release the brake lever.
6. Simultaneously release the clutch lever while opening the throttle (rolling the throttle control grip rearward) with a smooth motion. As the clutch begins to engage, the motorcycle will move forward.
7. To shift to a higher gear, accelerate smoothly and easily to the recommended shift point. See page 66.
8. With a quick motion, simultaneously close the throttle completely and disengage the clutch. Move the shift pedal until you feel it stop at the next gear.
9. Simultaneously release the clutch lever while opening the throttle.

**Tip:** Within the recommended speed ranges, you can downshift to slow the motorcycle or to increase power. See page 66. You may want to downshift when climbing a hill or passing. Downshifting also helps to decrease speed when combined with closing the throttle.

10. To shift to a lower gear (downshift), simultaneously pull the clutch lever toward the handlebar and close the throttle. Move the shift pedal downward until you feel it stop at the next gear. Simultaneously release the clutch lever while opening the throttle.

**WARNING!** Downshifting improperly could cause loss of traction and loss of control, which could result in serious injury or death.

- Reduce speed before downshifting. Always downshift within the recommended shift points.
- Use extreme caution when downshifting on wet, slippery or other low traction surfaces. Release the clutch lever very gradually in these conditions.
- Avoid downshifting in a curve. Downshift before entering the curve.

# Operation

## Shifting Gears

### Recommended Shift Points

<b>Upshifting (Accelerating)</b>	
<b>Gear Change</b>	<b>Recommended Speed</b>
1 to 2	18 mph (29 km/h)
2 to 3	30 mph (48 km/h)
3 to 4	40 mph (64 km/h)
4 to 5	50 mph (80 km/h)
5 to O/D	60 mph (97 km/h)

<b>Downshifting (Decelerating)</b>	
<b>Gear Change</b>	<b>Recommended Speed</b>
O/D to 5	50 mph (80 km/h)
5 to 4	35 mph (56 km/h)
4 to 3	25 mph (40 km/h)
3 to 2	15 mph (24 km/h)
2 to 1	10 mph (16 km/h)



## Accelerating

Accelerate by opening the throttle (rolling the throttle control grip rearward). The more quickly you open the throttle, the more quickly the motorcycle accelerates. For even acceleration, open the throttle with a smooth, continuous motion. When you reach the recommended speed for upshifting, shift up one gear. See page 64.

**WARNING!** Accelerating abruptly could cause your body to shift rearward suddenly, which could result in loss of control. Accelerating abruptly could also cause loss of control on low traction surfaces. Loss of control could result in serious injury or death. Always accelerate gradually, especially on wet, slippery or other low traction surfaces.

## Braking

Always allow sufficient stopping distance so that brakes can be applied gradually.

**Tip:** Applying slightly more front brake than rear brake generally provides the best braking performance.

1. To slow the motorcycle with the brakes, close the throttle and apply the front and rear brakes evenly and gradually.
2. As the motorcycle slows, disengage the clutch, or downshift each time vehicle speed reaches a downshift point.

**WARNING!** Braking improperly could result in loss of control, which could result in serious injury or death. Avoid braking abruptly. Always apply the brakes gradually, especially on wet, slippery or other low traction surfaces. Avoid braking in a curve or turn. Bring the motorcycle to the upright position before applying the brakes.

## Operation

### Stopping the Engine

Before stopping the engine, bring the motorcycle to a complete stop. Shift to neutral or disengage the clutch.

**WARNING!** Stopping the engine with the transmission in gear while the motorcycle is moving could cause loss of rear wheel traction or engine and transmission damage, which could cause loss of control and serious injury or death. Always stop the engine after the motorcycle is fully stopped and the transmission is in neutral. If the engine stops unexpectedly while the motorcycle is moving, guide the motorcycle to a safe location off the road and away from traffic.

1. When fully stopped, shift into neutral.
2. Move the engine stop/run switch to the STOP position.
3. Move the ignition switch to the OFF position. Remove the ignition key.

**Tip:** Idle air control (IAC) noise is a normal engine management calibration process that occurs each time the engine stop/run switch is put into the STOP position or when the key is turned off.

## Parking the Motorcycle

Choose a firm level surface to park the motorcycle.

1. When fully stopped, shift into neutral.
2. Stop the engine.
3. Fully extend the sidestand.
4. Turn the handlebars to the left and lean the motorcycle to the left until the sidestand firmly supports the motorcycle.
5. Remove the ignition key.

## Parking on a Slope

If parking on a slope is unavoidable, position the front of the motorcycle toward the top of the slope. Place the transmission in gear and position the motorcycle so that it is stable when it rests on the sidestand.

## Parking on a Soft Surface

If parking on a soft surface is unavoidable, place a sidestand footrest under the foot of the sidestand to provide a firm surface. The sidestand footrest must be strong enough and large enough to support the motorcycle's weight without sinking into the parking surface.

Asphalt becomes soft in hot weather. A sidestand can sink into soft asphalt and the motorcycle may fall. When parking on asphalt in hot weather, use a sidestand footrest.

**CAUTION!** Hot engine and exhaust components can cause burns to skin and can ignite a fire if exposed to flammable materials. Always park the motorcycle clear of flammable materials and where people are not likely to contact hot components.

## Maintenance

Proper maintenance assures the highest level of safety, durability and dependability for your motorcycle.

- Have your VICTORY dealer perform the initial maintenance procedures when the motorcycle's odometer registers 500 miles (800 km).
- Review the safety-related maintenance information on page 23.
- Perform the recommended periodic maintenance at the intervals specified in the periodic maintenance table beginning on page 72.

### Initial Maintenance

Performing initial maintenance will help ensure optimum engine performance for the entire service life of the engine. Your dealer will change engine oil, inspect all fluids and serviceable components, ensure that all fasteners are tightened and make other adjustments as needed.

### Major Maintenance

For major repair information, refer to the *VICTORY Service Manual*. Major repairs typically require technical skills and specially designed tools. Emission system service requires special tools and training and should be performed by your dealer.

## Periodic Maintenance

Always position the motorcycle on a firm level surface before performing service. Inspect, clean, lubricate, adjust and replace parts as necessary. When inspection reveals the need for replacement parts, use genuine VICTORY parts available from your VICTORY dealer. Record service and maintenance information in the Maintenance Record beginning on page 156.

Perform maintenance at the intervals specified in the periodic maintenance table beginning on page 72. Perform the procedures more frequently if normal use of the motorcycle includes:

- high speed operation for extended periods
- low speed operation for extended periods
- operation in dusty or otherwise adverse conditions

Before beginning any maintenance procedure, read the instructions for the entire procedure. During some procedures you may use potentially hazardous products such as oil or brake fluid. Always follow the instructions and warnings on the product packaging.

**WARNING!** Improperly installed or adjusted components can make the motorcycle unstable or hard to handle. Improperly installed electrical components can cause engine or electrical system failure. In either event, damage or serious injury could result. If you do not have the time, tools and expertise necessary to complete a procedure properly, please see your dealer for service.

## Road Tests

Before returning the motorcycle to regular use after performing service, road test it in a safe environment. Pay special attention to the proper fit and operation of all serviced components. Make any corrections or additional adjustments necessary to ensure safe vehicle performance.

# Maintenance

## Periodic Maintenance Table

Component	Page	Odometer Reading in Miles (Kilometers)																				
		500 (800)	2500 (4000)	5000 (8000)	7500 (12000)	10000 (16000)	12500 (20000)	15000 (24000)	17500 (28000)	20000 (32000)	22500 (36000)	25000 (40000)	27500 (44000)	30000 (48000)	32500 (52000)	35000 (56000)	37500 (60000)	40000 (64000)	42500 (68000)	45000 (72000)	47500 (76000)	50000 (80000)
***Air Filter	77	I	I	I	I	R	I	I	I	R	I	I	I	R	I	I	I	R	I	I	R	
Battery	116	I		I		I		I		I		I		I		I		I		I		I
**Brake Fluid	105, 106	I	I	I	I	I	I	I	I	I	I	I	I	R	I	I	I	I	I	I	I	I
Brake Pads	108	I	I	I	I	I	I	I	I	I	I	I	I	I	I	I	I	I	I	I	I	I
**Clutch Fluid (Hydraulic)	103	I	I	I	I	I	I	I	I	I	I	I	I	R	I	I	I	I	I	I	I	I
Clutch Lever	104	I		I		L		I		L		I		L		I		L		I		L
Clutch Cable (Mechanical)	102	I		I		L		I		L		I		L		I		L		I		L
Crankcase Ventilation System	95	I		I		I		I		I		I		I		I		I		I		I
Drive Belt	78	I	I	I	I	I	I	I	I	I	I	I	I	R	I	I	I	I	I	I	I	I
*Engine Oil	75	R	R	R	R	R	R	R	R	R	R	R	R	R	R	R	R	R	R	R	R	R
*Engine Oil Filter	75	R	R	R	R	R	R	R	R	R	R	R	R	R	R	R	R	R	R	R	R	R

### Table Key

- I Inspect (tighten, clean, adjust, replace if necessary)
- L Lubricate with proper lubricant
- R Replace/Rebuild
- P Perform

- \* Replace at specified interval, or annually
- \*\* Replace at specified interval, or every 2 years
- \*\*\* Replace every 5000 mi. (8000 km) if operating in dusty conditions

## Periodic Maintenance Table

Component	Page	Odometer Reading in Miles (Kilometers)																				
		500 (800)	2500 (4000)	5000 (8000)	7500 (12000)	10000 (16000)	12500 (20000)	15000 (24000)	17500 (28000)	20000 (32000)	22500 (36000)	25000 (40000)	27500 (44000)	30000 (48000)	32500 (52000)	35000 (56000)	37500 (60000)	40000 (64000)	42500 (68000)	45000 (72000)	47500 (76000)	50000 (80000)
Engine Compression	114	I				I				I				I				I				I
Evaporative Emission Control System (California models)	95	I		I		I		I		I		I		I		I		I		I		I
Exhaust System	114	I	I	I	I	I	I	I	I	I	I	I	I	I	I	I	I	I	I	I	I	I
Fasteners	58	I		I		L		I		L		I		L		I		L		I		L
Front Brake Lever	50, 107	I		I		I		I		I		I		I		I		I		I		I
**Front Fork Oil	93	I		I		I		R		I		I		R		I		I		R		I
Front Forks/Front Axle	93, 94	I		I		I		I		I		I		I		I		I		I		I
Fuel Filter	96											R										R
Fuel System	95	I	I	I	I	I	I	I	I	I	I	I	I	I	I	I	I	I	I	I	I	I
Gear Shift Pedal	109	I		I		L		I		L		I		L		I		L		I		L
Headlamp	120	I				I				I				I				I				I

### Table Key

- I Inspect (tighten, clean, adjust, replace if necessary)
- L Lubricate with proper lubricant
- R Replace/Rebuild
- P Perform

- \* Replace at specified interval, or annually
- \*\* Replace at specified interval, or every 2 years
- \*\*\* Replace every 5000 mi. (8000 km) if operating in dusty conditions

# Maintenance

## Periodic Maintenance Table

Component	Page	Odometer Reading in Miles (Kilometers)																				
		500 (800)	2500 (4000)	5000 (8000)	7500 (12000)	10000 (16000)	12500 (20000)	15000 (24000)	17500 (28000)	20000 (32000)	22500 (36000)	25000 (40000)	27500 (44000)	30000 (48000)	32500 (52000)	35000 (56000)	37500 (60000)	40000 (64000)	42500 (68000)	45000 (72000)	47500 (76000)	50000 (80000)
Rear Wheel Alignment	85	I		I		I		I		I		I		I		I		I		I		I
Rear Shock Absorber	88							I						I						I		R
Rear Brake Pedal	51	I		I		L		I		L		I		L		I		L		I		L
Road Test	71	P	P	P	P	P	P	P	P	P	P	P	P	P	P	P	P	P	P	P	P	P
Sidestand	123	I		I		L		I		L		I		L		I		L		I		L
Sidestand Rubber Pad	58	I	I	I	I	I	I	I	I	I	I	I	I	I	I	I	I	I	I	I	I	I
Spark Plugs	112	I		I		I		I		I		I		R		I		I		I		I
Steering Head Bearings	94	I	I	I	I	I	I	L	I	I	I	I	I	L	I	I	I	I	I	I	L	I
Swing Arm and Rear Axle	92	I		I		I		I		I		I		I		I		I		I		I
Throttle System	98, 99	I	I	I	I	L	I	I	I	L	I	I	I	L	I	I	I	L	I	I	I	L
Tires	110	I	I	I	I	I	I	I	I	I	I	I	I	I	I	I	I	I	I	I	I	I
Wheel Condition	109	I		I		I		I		I		I		I		I		I		I		I

### Table Key

- I Inspect (tighten, clean, adjust, replace if necessary)
- L Lubricate with proper lubricant
- R Replace/Rebuild
- P Perform

- \* Replace at specified interval, or annually
- \*\* Replace at specified interval, or every 2 years
- \*\*\* Replace every 5000 mi. (8000 km) if operating in dusty conditions



## Engine Oil and Filter Change

1. Start the engine and allow it to idle for several minutes. Stop the engine.

**Tip:** The engine must be at normal operating temperature before changing the oil.

**CAUTION!** Hot engine and exhaust components can cause burns to skin and can ignite a fire if exposed to flammable materials. Always park the motorcycle clear of flammable materials and where people are not likely to contact hot components.

2. Position the motorcycle securely on the sidestand.

3. Place a drain pan under the drain plug and oil filter.

4. Remove the drain plug and seal. Use the universal tool (under the left side cover) or a good quality 6-mm hexagonal socket.

5. Allow the oil to drain completely.

6. Using an oil filter wrench, slowly loosen the filter. Allow the oil in the filter to drain before removing the filter.

7. Reinstall the drain plug with a new seal.

**Torque: 15 ft-lbs (20 Nm)**

8. Clean the oil filter mounting plate and threads.

9. Make sure the new oil filter gasket is properly seated in the oil filter.

10. Apply a thin film of clean engine oil to the gasket. Screw the new filter on until the gasket contacts the filter mounting plate. Tighten the filter by hand an additional 3/4 turn.

*(continued on next page)*

## Maintenance

### Engine Oil and Filter Change

11. Add about 8.75-9.0 pints (4.0-4.25 liters) of the recommended oil through the oil fill cap. See page 47.
12. Reinstall the oil fill cap.

**NOTICE:** After an oil change, the low oil pressure indicator remains illuminated longer than usual before going out. Revving the engine while the low oil pressure indicator is illuminated can damage the engine.

13. Start the engine and allow it to idle for several minutes. Stop the engine.
14. Check for leaks around the drain plug and oil filter. Check the oil level and adjust if needed. See page 47.
15. Recycle used oil and oil filter appropriately.

## Air Filter

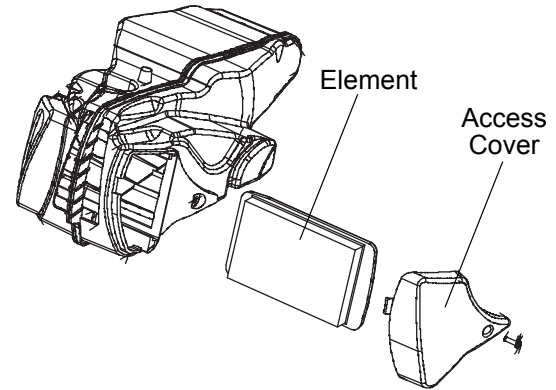
Replace the air filter element at the intervals recommended in the periodic maintenance table beginning on page 72. Replace the element any time it becomes extremely dirty or contaminated.

**Tip:** Inspect the air filter often if riding in unusually wet or dusty conditions.

1. Remove the air filter access cover and air filter element using the universal tool (provided under the left side cover) or a #2 Phillips screwdriver.
2. To remove debris from the element, use low-pressure air and blow from the rear forward.

**CAUTION!** Wear face protection when using pressurized air.

3. Do not apply air filter oil to the paper element. Apply a small amount of lubricant to the edge of the air filter element frame.
4. Reinstall the element and access cover. Do not over-tighten the access cover screws.



## Maintenance

### Drive Belt Condition

Replace the drive belt if it is cracked or has broken teeth or frayed edges. No matter its condition, the drive belt should be replaced at periodic intervals. See the *VICTORY Service Manual* or your authorized VICTORY dealer.

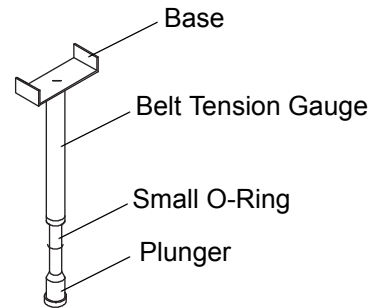
DO NOT attempt to check belt tension if the belt has been exposed to rain or washing within a 24 hour period or if the belt is hot from riding. Allow the belt to cool down to ambient temperature before measuring belt tension. To obtain the maximum drive belt service life possible, VICTORY recommends the replacement of both sprockets as a set if the drive belt system has over 5,000 miles (8,000 km) of service at the time of damage or failure.

### Drive Belt Tension Inspection

Checking drive belt tension involves using the belt tension gauge (P/N PV-43532).

Before beginning this procedure:

- Make sure the drive belt is dry and at room temperature.
- Make sure the rear suspension is properly adjusted. See page 88).



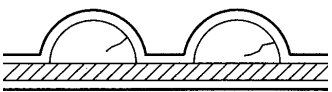

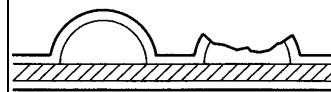
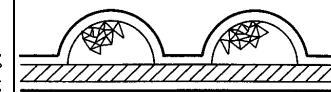
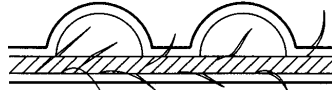
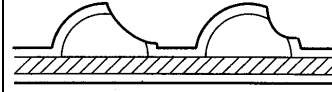
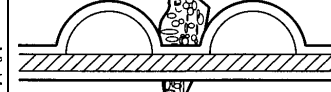
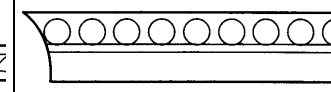
## Drive Belt Tension Inspection

Drive Belt Deflection	
Deflection with 10 lbs. (4.5 kg) of force	6 mm +/- 0.5 mm

The following data is provided for use with a Sonic Tension Meter. Follow the instructions provided with the meter.

Required Data		Tension
Span	658.3 mm	48.3 Hz +/- 1
Belt width	28 mm	
Belt mass constant	8.4	

## Drive Belt Wear Analysis

			
Internal tooth cracks (hairline): OK to run, but monitor condition	External tooth cracks: Replace belt	Missing teeth: Replace belt	Chipping (not serious): OK to run, but monitor condition
			
Fuzzy edge cord: OK to run, but monitor condition	Hook wear: Replace belt	Stone damage: Replace belt if damage is on edge	Bevel wear (outboard edge only): OK to run, but monitor condition

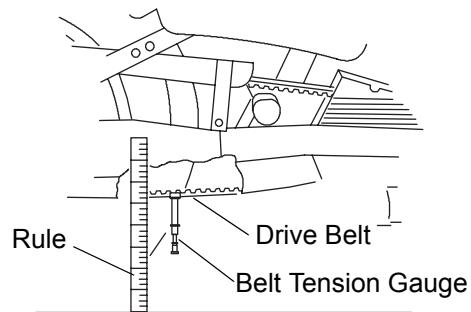
# Maintenance

## Drive Belt Tension Inspection

1. Elevate the rear of the motorcycle until the rear wheel is off the ground. Use an appropriate motorcycle lift or a block of wood or steel placed securely under the frame.
2. Place the transmission in neutral.

**CAUTION!** Make sure the motorcycle is stable when elevated. Injury may occur if the motorcycle tips or falls.

3. Position the small o-ring on the belt tension gauge directly over the 10 lbs. (4.5 kg) mark on the plunger as shown.
4. Place a tape measure or rule next to the drive belt as shown.



## Drive Belt Tension Inspection

5. Place the base of the tension gauge bracket squarely against the lower strand of the drive belt halfway between the front and rear drive sprockets. Use the tape measure or ruler and record the position of the base of the tension gauge bracket. This position represents zero force.
6. Push the plunger upward until the small O-ring touches the tension gauge body. Make sure the tension gauge is seated squarely against the drive belt, and record the position of the base of the tension gauge bracket. This position represents 10 lbs. (4.5 kg) of force.
7. Calculate the difference between the zero force position and the 10 lbs. (4.5 kg) of force position you recorded. Refer to the chart on page 79 for belt specifications.
8. Belt deflection must be measured and adjusted with the belt at the tightest spot. Measure deflection in 4 spots by rotating the wheel 90 degrees in the forward direction between measurements. Adjust tension as necessary. See page 82).

<b>Important Belt Deflection Information</b>
<ul style="list-style-type: none"><li>• Measure / adjust belt deflection at the tightest spot.</li><li>• Belt and sprockets must be clean, dry, and at room temperature for accurate deflection measurement.</li><li>• Lowering kits affect belt deflection specifications. Consult an authorized VICTORY dealer if a lowering kit is installed on your motorcycle.</li><li>• When a new drive belt is installed, tension must be adjusted after 500 miles to ensure maximum belt service life.</li></ul>

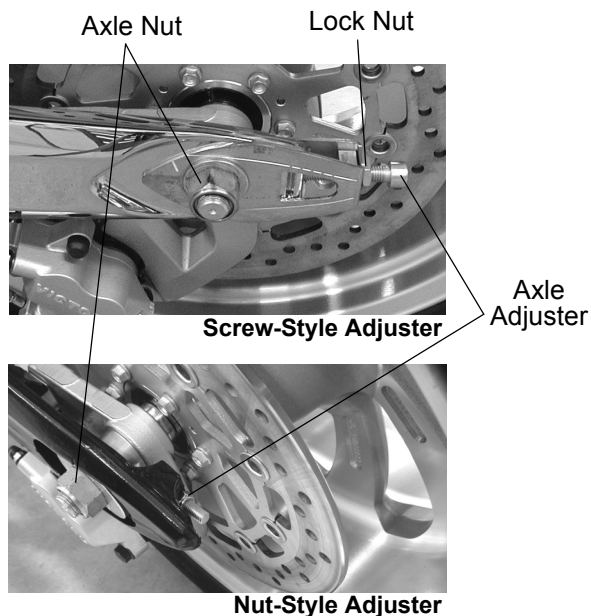
# Maintenance

## Drive Belt Tension Adjustment

**CAUTION!** Make sure the motorcycle is stable when elevated. Injury may occur if the motorcycle tips or falls.

1. Inspect wheel alignment before adjusting drive belt tension. See page 85.
2. Loosen the rear axle nut on the left end of the rear axle. On screw-style adjusters, loosen the lock nut on both the left and right axle adjusters.
3. Turn the axle adjusters clockwise (viewed from rear) an equal amount if wheel is in alignment, or turn each adjuster as needed to align the wheel and achieve proper tension. Use an 8-mm hex tool on screw-style adjusters.
4. When alignment and belt tension is correct, tighten the rear axle nut. Tighten the adjuster lock nut (screw-style adjusters).

**Torque: 65 ft-lbs (88 Nm)**





## Drive Belt Tension Adjustment

5. Recheck drive belt tension and wheel alignment.
6. Pump the rear brake pedal several times to reset brake pad distance.
7. Slowly rotate the rear wheel. If the wheel does not rotate smoothly, inspect the wheel bearings, axle and brakes. See the *VICTORY Service Manual* or your authorized VICTORY dealer.

## Maintenance

### Drive Belt Cleaning

Cleaning the drive belt will maximize belt and sprocket life and minimize drive line noise. Clean the belt at every tire change. Clean the belt more often if riding in dirty, dusty or high debris environments.

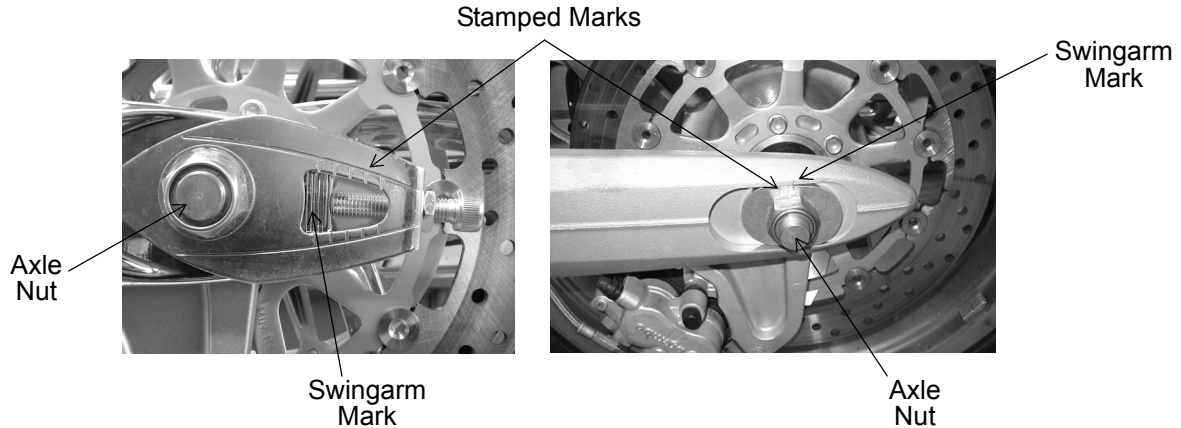
1. Mix a few drops of mild dish soap with a cup of warm water.
2. Use a soft nylon brush to clean the belt and sprocket teeth with the soapy water. Clean well in corner areas where road debris and belt dust can collect.
3. Rinse the belt with clear water, then dry thoroughly.

**Tip:** Do not inspect or adjust drive belt tension when the belt is wet. Improper adjustment will result.

## Rear Wheel Alignment

**WARNING!** A skewed rear axle can damage the drive belt, causing belt failure and loss of control of the motorcycle.

1. Elevate the rear of the motorcycle until the rear wheel is off of the ground. Use an appropriate motorcycle lift or a block of wood or steel placed securely under the frame.
2. Place the transmission in neutral.
3. The axle adjusters or plates are stamped with marks that are used as a reference to ensure proper wheel alignment. Inspect the position of the alignment marks on each side in relation to the mark stamped on the swingarm. The marks should be in the same position on both left and right sides of the wheel.



# Maintenance

## Rear Wheel Alignment

4. To adjust rear wheel alignment, loosen the rear axle nut about 1 1/2 turns.

**Tip:** Turn the axle adjusters about 1/16 of a turn at a time and monitor wheel alignment as you proceed.

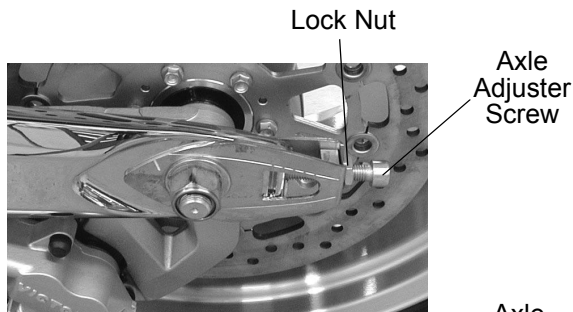
5. On screw style adjusters: Use a 17-mm wrench to loosen the lock nut, then use an 8-mm hexagonal wrench to turn the axle adjuster screws. On nut style adjusters: Use a deep 14-mm socket to turn the adjuster nut.

6. On both adjuster styles: Turn the screw or nut IN (clockwise) to draw the axle back, or OUT (counterclockwise) to allow the axle to move forward.

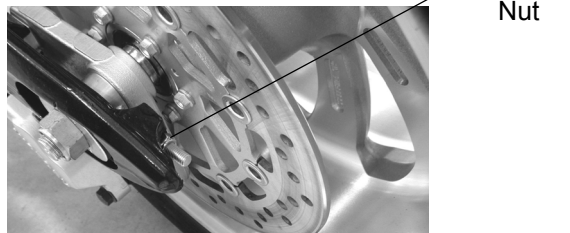
**Tip:** If adjuster screws or nuts are turned OUT (counterclockwise) push the wheel and axle forward to be sure the ends of the adjuster screws or the nuts are seated against the end of the swingarm before inspecting alignment or belt tension.

7. Recheck rear wheel alignment after each adjustment. Readjust if necessary until alignment is correct and drive belt tension is correct. See page 78.

*(continued on next page)*



**Screw-Style Adjuster**



**Nut-Style Adjuster**

## Rear Wheel Alignment

8. When the wheel is aligned and drive belt tension is correct, tighten the adjuster lock nut (screw-style), then tighten the axle nut.  
**Torque: 65 ft-lbs (88 Nm)**
9. Recheck drive belt tension and alignment to be sure it is correct after tightening the axle.
10. If alignment is incorrect, repeat steps 4-8.
11. Pump the rear brake pedal several times to reset brake pad distance.
12. Carefully lower the motorcycle and safely support it on the sidestand.

# Maintenance

## Rear Suspension

### Rear Shock Preload (Ride Height) Inspection

This procedure involves using the shock absorber preload wrench PV-43507, a special spanner tool available from your dealer. The tool is designed specifically for adjusting shock spring preload on your motorcycle. Preload should be set with accurate load conditions before riding to ensure optimum handling, safety and ride quality.

Have an assistant help you complete the following procedure. Refer to the illustration on page 89.

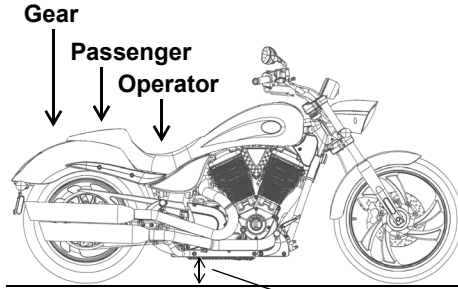
1. Verify that tire pressure is at specification. See page 110.
2. Load the motorcycle with all cargo you intend to carry. With the motorcycle in the upright position, sit on the operator's seat with your riding gear on. If you plan to carry a passenger, have the passenger (with riding gear) sit on the passenger seat.
3. Compress the rear suspension a few times by pushing on the seat and slowly releasing. Make sure the suspension moves freely without binding.
4. With as much of your weight on the seat as possible, have your assistant measure the distance from the floor to the rearmost flat section of the right side frame cradle.

**Tip:** With the motorcycle in the upright position, preload should be 4 3/4" (120 mm).

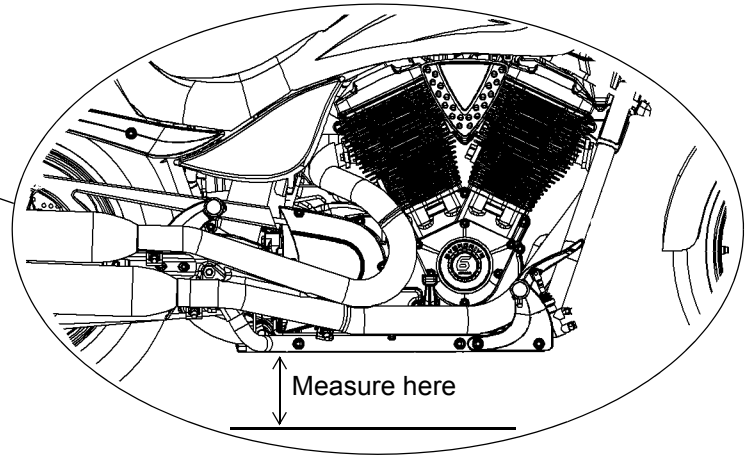
5. If the measurement differs, adjust the preload.

## Rear Suspension

### Rear Shock Preload (Ride Height) Inspection



**Preload Specification: 4 3/4" +/- 1/8" (120 mm +/- 3 mm)**

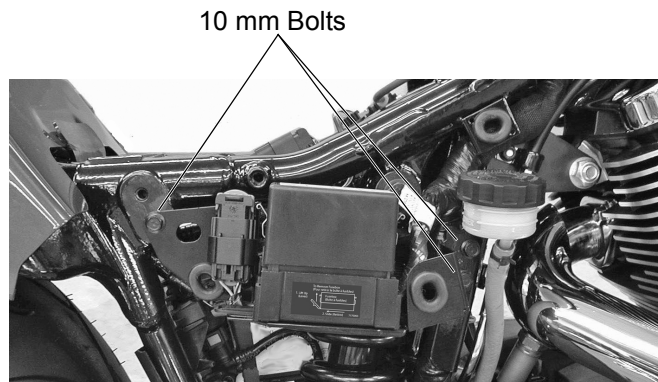


# Maintenance

## Rear Suspension

### Rear Shock Preload (Ride Height) Adjustment

1. Rest the motorcycle on the sidestand. Remove the right side cover. See page 44.
2. Remove the fuse box. See page 122. Make sure the rear brake fluid reservoir cap is secure to prevent fluid loss.
3. Remove the three 10 mm bolts securing the fuse box bracket to the chassis.
4. Remove the on-board diagnostics connector from the fuse box bracket by squeezing the connector lock and pulling the connector apart. Leave the terminated end attached to the fuse box bracket.
5. Remove the wire harness dart from the fuse box bracket by sliding the connector off the dart clip.
6. Carefully pull and rotate the fuse box bracket toward the front of the motorcycle.

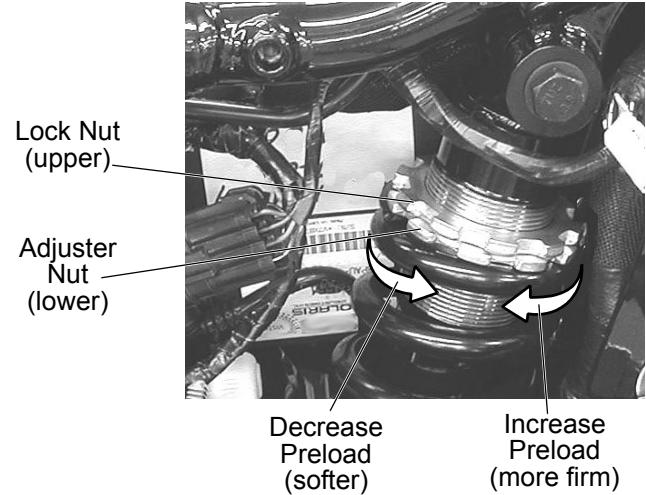




## Rear Suspension

### Rear Shock Preload (Ride Height) Adjustment

7. The upper spanner nut on the shock is the lock nut. The lower spanner nut is the adjuster nut. Loosen the lock nut by turning it counterclockwise (as viewed from the top of shock) with the spanner wrench.
8. Spray a light lubricant on the adjuster nut where it contacts the spring. **DO NOT** allow spray to contact the drive belt.
9. Adjust shock preload by rotating the adjuster nut clockwise (as viewed from the top of shock) to **INCREASE** preload (firm) or counterclockwise to **DECREASE** preload (softer).
10. Recheck the preload measurement after adjusting.
11. Tighten the lock nut securely against the adjuster nut.
12. Reinstall the fuse box bracket and tighten the bolts securely.
13. Reinstall the fuse box and right side cover.



# Maintenance

## Rear Suspension

### Swing Arm and Rear Axle Inspection

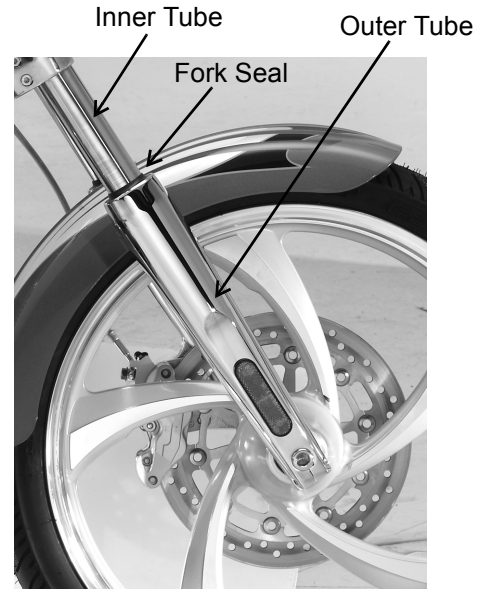
1. Sit in the operator's seat and slowly bounce the rear suspension a few times. Make sure the suspension moves freely without binding.
2. Elevate the rear of the motorcycle until the rear wheel is off of the ground. Use an appropriate motorcycle lift or a block of wood or steel placed securely under the frame.

**CAUTION!** Make sure the motorcycle is stable when elevated. Injury may occur if the motorcycle tips or falls.

3. Grasp the rear tire and attempt to move the rear wheel side-to-side.
  - If there is movement at the rear axle, inspect the wheel bearings and rear axle. See the *VICTORY Service Manual* or your authorized VICTORY dealer.
  - If there is movement at the front of the swing arm, inspect the swing arm pivot bushings/bearings and pivot shaft nut torque. See the *VICTORY Service Manual* or your authorized VICTORY dealer.
4. With the transmission in neutral, slowly rotate the rear wheel. If the wheel does not rotate smoothly, inspect the wheel bearings, rear axle, belt adjustment and wheel alignment. See the *VICTORY Service Manual* or your authorized VICTORY dealer.

## Front Suspension Front Fork Inspection

1. Place the motorcycle on the sidestand and inspect the front forks. Make sure there is no fork oil present on the outer fork tubes, around the fork seals or around the inner tubes.
2. Clean the fork tubes to remove bugs, tar or buildup which may cause seal wear or leakage.
3. Inspect the outer surfaces of the inner fork tubes for scratches or damage from foreign objects.
4. Straddle the motorcycle and bring it to the fully upright position. Apply the front brake and push downward (hard) on the handlebars several times. The front suspension should operate smoothly and quietly.
5. Fork oil condition and level affects front suspension performance and internal component wear. Replace fork oil at the recommended intervals. Special tools are required to perform this procedure. See the *VICTORY Service Manual* or your authorized VICTORY dealer.



# Maintenance

## Front Suspension

### Steering and Front Axle Inspection

1. Elevate the front of the motorcycle until the front wheel is off the ground. Use an appropriate motorcycle lift or a block of wood or steel placed securely under the frame.

**CAUTION!** Make sure the motorcycle is stable when elevated. Injury may occur if the motorcycle tips or falls.

2. Turn the handlebars from stop to stop. The action should be smooth but not loose. Make sure wires, hoses and control cables do not interfere with smooth steering.
3. Position the front wheel straight ahead. Grasp the front forks near the front axle and attempt to move the wheel front-to-back. If there is front-to-back movement at the steering head, the steering head bearings should be inspected, lubricated and adjusted. Lubricate the steering head bearings at the recommended intervals even if there is no front-to-back movement at the steering head. See the *VICTORY Service Manual* or your authorized VICTORY dealer.
4. Turn the handlebars fully to the right or left. Grasp the front tire and attempt to move the wheel side-to-side. If there is movement at the front axle, inspect the wheel bearings and front axle. See the *VICTORY Service Manual* or your authorized VICTORY dealer.
5. Slowly rotate the front wheel. If the wheel does not rotate smoothly, inspect the wheel bearings, front axle and brakes. See the *VICTORY Service Manual* or your authorized VICTORY dealer.

## **Fuel System**

### **Fuel Hose Inspection**

Inspect the fuel hoses for cracks or damage. Inspect hose connections at the fuel pump and at the fuel rail for dampness or stains that would indicate a fuel leak.

### **Crankcase Ventilation Hose Inspection**

Remove the operator's seat and fuel tank. Inspect the crankcase ventilation hose for cracks or damage. Inspect hose connections at the air cleaner and at the crankcase for dampness or stains that would indicate a leak.

### **Evaporative Emission Control System (California Models)**

Inspect all evaporative emission control system hoses and connections. Make sure all connections are tight. Inspect the evaporative canister for damage.

# Maintenance

## Fuel System

**CAUTION!** Always observe all fuel safety procedures when inspecting or servicing the fuel system. See page 22.

### Fuel Filters

Fuel filter condition affects engine performance and fuel economy. The fuel filters are attached to the electric fuel pump located inside the fuel tank. Replacement requires special tools. See the *VICTORY Service Manual* or your authorized VICTORY dealer.

### Fuel Tank Removal/Installation

Before beginning, be prepared to place the fuel tank in a secure location with a drain pan positioned to catch any fuel that may leak or drip from disconnected hoses or fittings.

1. Remove the operator's seat.
2. Remove the fuel line access cover.
3. Remove the two front and one rear fuel tank mounting screws.



## Fuel System

### Fuel Tank Removal/Installation

4. With the engine and exhaust cool, wrap a clean shop towel around the fuel line fitting at the fuel rail. Disconnect it from the fuel rail by squeezing both release buttons simultaneously. Gently slide the fitting from the fuel rail.

**NOTICE:** Fuel can damage painted surfaces and plastic parts. Wipe up spilled fuel immediately using a clean, dry, soft cloth.

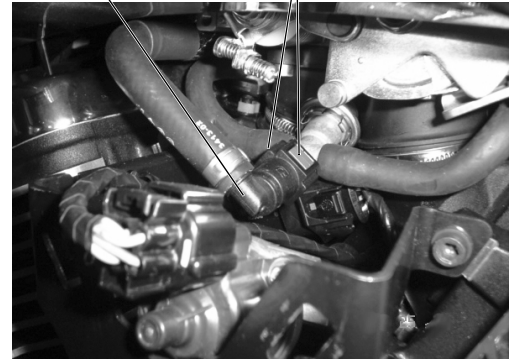
5. Lift the fuel tank and unplug the fuel pump wire harness at the rear of the tank. At the rear left side of the tank, disconnect the tank vent hose (California models) and the water drain hose.
6. Carefully remove the fuel tank. Be prepared to catch dripping fuel in an appropriate container.
7. To reinstall the fuel tank, reverse the removal steps, routing the fuel supply hose to the right of the breather hose.
8. Reinstall the fuel line fitting to the fuel rail by sliding the quick-connect onto the rail connector until you hear it click.
9. Reinstall the fuel tank mounting screws.

**Torque: 35 ft-lb. (47.5 Nm)**

10. Reinstall the fuel line access cover. Reinstall the seat.

Fuel Line  
Fitting

Release  
Buttons



# Maintenance

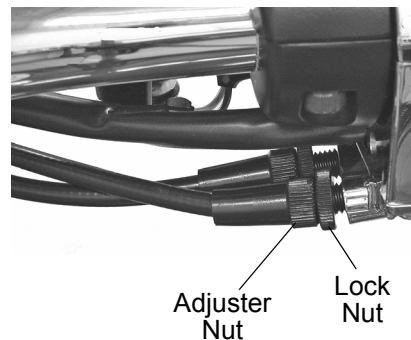
## Throttle System

Service the throttle system if throttle operation is not smooth, if throttle grip does not return properly, or if cable ends are frayed. See the *VICTORY Service Manual* or your authorized VICTORY dealer.

### Throttle Freeplay Adjustment

Throttle freeplay is the amount of throttle control grip movement from the rest position to the point of cable resistance. Measure this distance. Freeplay should be 2-4 mm. Adjust throttle freeplay as needed.

1. Hold the adjuster nuts securely and loosen the lock nuts on both cables. Turn the lock nuts away from the adjuster nuts as far as possible.
2. Turn both adjuster nuts toward the lock nuts as far as possible for maximum freeplay in both cables.
3. Turn the adjuster on the throttle opening cable (front cable) away from the lock nut until throttle freeplay is 2-4 mm.





## Throttle System

### Throttle Freeplay Adjustment

4. To adjust the closing cable (rear cable), move the throttle grip back and forth continuously while turning the adjuster slowly outward just until freeplay is removed. Then turn the adjuster inward one full turn.
5. Turn the lock nuts on both cables until they are seated against the adjuster nuts. Hold each adjuster nut and tighten each lock nut securely.
6. Measure throttle freeplay.
7. Start the engine with the transmission in neutral. Turn the handlebars fully to the left and to the right. *Engine idle speed should not change.* If idle speed changes, inspect for a damaged cable, incorrect routing or incorrect adjustments.

### Throttle Cable Lubrication

Lubricate the cable ends at the intervals recommended in the periodic maintenance table beginning on page 72.

**NOTICE:** External casings are factory-lubricated. Additional lubrication could be detrimental to cable performance.

Verify proper routing and smooth movement. Inspect for damage to the external casing, and inspect exposed cable wire for fraying, kinks or corrosion. Replace any damaged, sticky or sluggish cable.

1. Disconnect the cable at the throttle body.
2. Apply a light film of VICTORY All Purpose Grease or equivalent to the barrel end.
3. Reconnect the cable and adjust freeplay as needed.

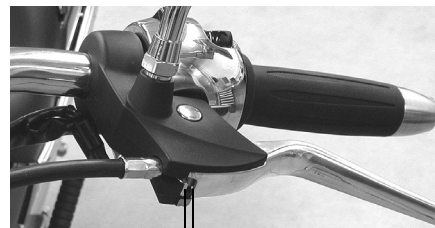
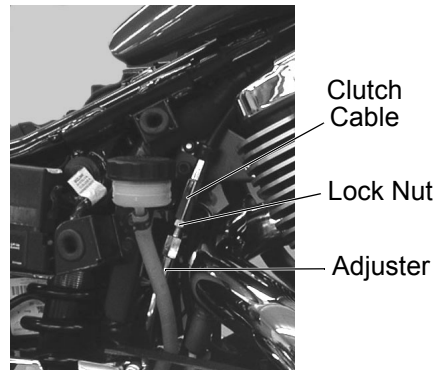
# Maintenance

## Clutch (Mechanical)

### Mechanical Clutch Lever Freeplay

1. Remove the right side cover.
2. Hold the clutch cable and loosen the adjuster lock nut.
3. While holding the cable, turn the cable adjuster inward or outward until clutch lever freeplay is 0.5-1.5 mm.
4. While holding the cable, tighten the adjuster lock nut securely.
5. Reinstall the right side cover.
6. Verify that the safety switch activates properly. The engine should not start in gear with the clutch lever released.

**Tip:** The starter interlock switch is dependent on the clutch lever freeplay being set correctly to ensure activation of the clutch safety switch.

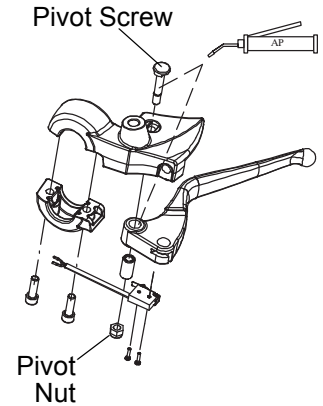


0.5-1.5 mm  
Freeplay

## Clutch (Mechanical)

### Mechanical Clutch Lever Lubrication

1. Remove the right side cover. Loosen the clutch cable adjuster lock nut.
2. Turn the cable adjuster all the way inward to provide maximum lever freeplay.
3. Remove the clutch lever pivot nut and screw. Disconnect the clutch cable from the clutch lever.
4. Remove any old grease and dirt from the lever and housing. Lubricate the clutch lever and pivot screw with VICTORY Moly Assembly Grease or VICTORY All Purpose grease.
5. Reconnect the clutch cable. Reinstall the lever, pivot screw and nut. Hold the screw down and torque the nut to 40 in-lbs (5 Nm).
6. Adjust clutch lever freeplay. See page 100.



# Maintenance

## Clutch (Mechanical)

### Mechanical Clutch Cable Lubrication

Lubricate the cable ends at the intervals recommended in the periodic maintenance table beginning on page 72.

**NOTICE:** External casings are factory-lubricated. Additional lubrication could be detrimental to cable performance.

Verify proper routing and smooth movement. Inspect for damage to the external casing, and inspect exposed cable wire for fraying, kinks or corrosion. Replace any damaged, sticky or sluggish cable.

1. Disconnect the cable at the clutch lever and at the primary cover.
2. Lubricate the ball and barrel ends with VICTORY All Purpose Grease or equivalent.
3. Reconnect the cable and adjust freeplay as needed.

### Clutch (Hydraulic) Hydraulic Clutch Fluid

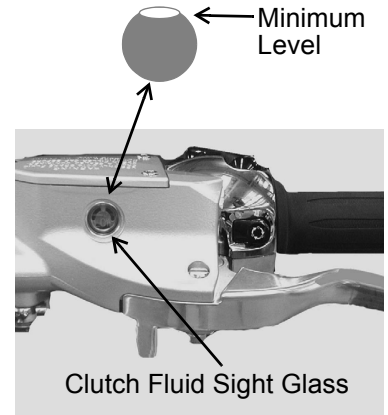
Check the hydraulic clutch fluid level. See page 56. The fluid level should be at or above the top of the sight glass. Add fluid as needed. Replace cloudy or contaminated fluid.

Use DOT4 brake fluid in the hydraulic clutch reservoir. Use fluid only from a sealed, clean container.

Do not operate the clutch while the reservoir cover is removed. Fluid could overflow from the reservoir and cause air to enter the fluid system.

**WARNING!** Using the wrong fluid or allowing air or contaminants into the fluid system can damage the system seals or result in a malfunction that could lead to serious injury or death.

1. Straddle the motorcycle and bring it to the fully upright position. Position the handlebars so that the fluid reservoir is level.
2. Wipe the fluid container and the area around the reservoir cover with a clean cloth.
3. Remove the reservoir cover and gasket.
4. Carefully add fluid to the recommended level.
5. Reinstall the reservoir gasket and cover.

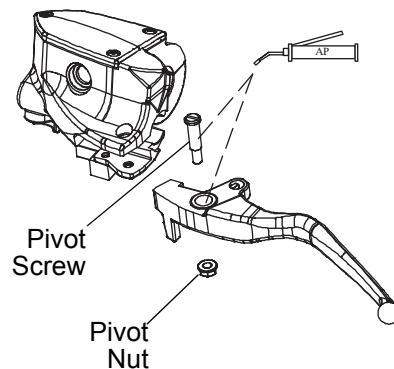


# Maintenance

## Clutch (Hydraulic)

### Hydraulic Clutch Lever Lubrication

1. Remove the clutch lever pivot nut and screw.
2. Remove any old grease and dirt from the lever and housing.
3. Lubricate the clutch lever and pivot screw with VICTORY Moly Assembly Grease or VICTORY All Purpose grease.
4. Reinstall the lever, pivot screw and nut. Torque the pivot screw to 9 in-lbs (1 Nm). Torque the nut to 52 in-lbs (6 Nm).



## Brake Systems

### Front Brake Fluid

Check the front brake fluid level. See page 51. The fluid level should be at or above the top of the sight glass. Add fluid as needed. Replace cloudy or contaminated fluid.

Use DOT4 brake fluid in the brake fluid reservoir. Use fluid only from a sealed, clean container.

Do not operate the brake while the reservoir cover is removed. Fluid could overflow from the reservoir and cause air to enter the fluid system.

**WARNING!** Using the wrong fluid or allowing air or contaminants into the fluid system can damage the system seals or result in a malfunction that could lead to serious injury or death.

1. Straddle the motorcycle and bring it to the fully upright position. Position the handlebars so that the fluid reservoir is level.
2. Wipe the fluid container and the area around the reservoir cover with a clean cloth.

**NOTICE:** Brake fluid will damage painted surfaces and plastic parts. Always clean spilled brake fluid immediately with water and a mild detergent.

3. Remove the reservoir cover and gasket.
4. Carefully add fluid to the recommended level.
5. Reinstall the reservoir gasket and cover.

# Maintenance

## Brake Systems

### Rear Brake Fluid

Check the rear brake fluid level. See page 53. The fluid level should be between the minimum and maximum marks on the reservoir. Add fluid as needed. Replace cloudy or contaminated fluid.

Use DOT4 brake fluid in the brake fluid reservoir. Use fluid only from a sealed, clean container.

Do not operate the brake while the reservoir cover is removed. Fluid could overflow from the reservoir and cause air to enter the fluid system.

**WARNING!** Using the wrong fluid or allowing air or contaminants into the fluid system can damage the system seals or result in a malfunction that could lead to serious injury or death.

1. Secure the motorcycle in a vertical position with an appropriate motorcycle lift.
2. Remove the right side cover.
3. Wipe the fluid container and the area around the reservoir cover with a clean cloth.

**NOTICE:** Brake fluid will damage painted surfaces and plastic parts. Always clean spilled brake fluid immediately with water and a mild detergent.

4. Remove the reservoir cover and gasket.
5. Carefully add fluid to the recommended level.
6. Reinstall the reservoir gasket and cover.
7. Reinstall the right side cover.



## Brake Systems

### Brake Lever Lubrication

Lubricate at the intervals recommended in the periodic maintenance table beginning on page 72.

1. Remove the right side mirror.
2. Remove the brake lever pivot nut (10 mm wrench or socket) and pin (4 mm hexagonal wrench).

**Tip:** Note the direction the plunger is installed (if removing). Proper direction is critical for brake function.

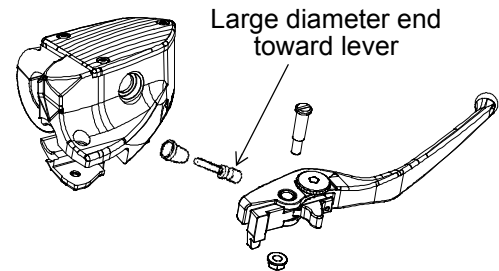
3. Remove any old grease and dirt from the lever and housing.
4. Lubricate the lever and pivot pin with VICTORY All Purpose Grease or equivalent.
5. Reinstall the lever and pivot pin.

**Torque: 52 in-lbs (6 Nm)**

6. Reinstall the pivot nut.

**Torque: 52 in-lbs (6 Nm)**

7. Check front brake lever movement. See page 50.
8. Reinstall the right side mirror and adjust.



# Maintenance

## Brake Systems

### Brake Lines

Inspect all brake hoses and connections for dampness or stains from leaking or dried fluid. Tighten any leaking connections and replace components as necessary. Torque fasteners to specification. See the *VICTORY Service Manual* or your authorized VICTORY dealer.

### Brake Pads

Inspect front and rear brake pad thickness. Replace brake pads when wear lines are no longer visible, or when pad thickness reaches 1.5 mm.

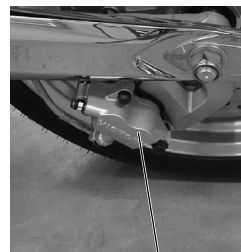
The shielded pad must be installed on the non-piston side of the caliper. See the *VICTORY Service Manual* or your authorized VICTORY dealer.

### Brake Discs

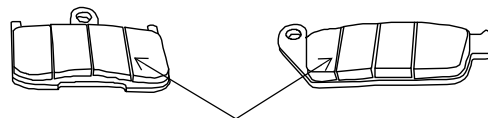
Inspect brake discs for nicks, scratches, cracks or other damage. Inspect the thickness of each brake disc at four or more locations around the disc. Minimum thickness is stamped on the inner hub of the disc. If any disc is worn to the minimum thickness at the thinnest point, or if a disc is damaged, see your VICTORY dealer for replacement.



Front Brake Pad



Rear Brake Pad



Wear Lines

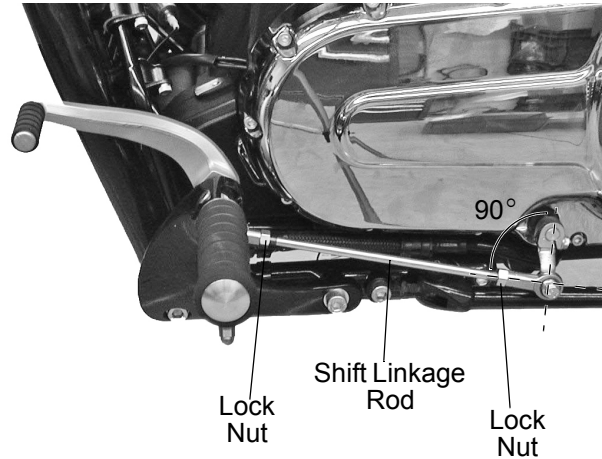
## Gear Shift Pedal

Do not remove and reposition the shift arm on the shift shaft to adjust gear shift pedal height. A  $90^{\circ} \pm 5^{\circ}$  angle between the shift arm and the linkage rod is necessary to ensure correct shift linkage operation.

1. Loosen the gear shift linkage rod lock nuts.
2. Turn the linkage rod inward or outward as necessary.
3. Tighten the linkage rod lock nuts.
4. Check the gear shift pedal height.

## Wheels

Inspect both wheels for cracks or damage and replace damaged wheels promptly. Do not operate the motorcycle if wheels are damaged or cracked. See the *VICTORY Service Manual* or your authorized VICTORY dealer.



# Maintenance

## Tires

### **⚠ WARNING**

Operating the motorcycle with improper tires or with improper or uneven tire pressure could cause loss of control or accident. Always use the correct size and type of tires specified for your vehicle. Always maintain proper tire pressure as recommended in the owner's manual and on safety labels.

### Tire Pressure

Riding warms the tires and increases tire air pressure. For an accurate reading, check tire pressure before riding. Adjust tire pressure as recommended for the total weight of your intended load (see table).

**WARNING!** Do not exceed the maximum recommended inflation pressure to seat the bead. Tire or rim failure may result.

Location	Size	Brand	Type	Recommended Pressure	
				Loads up to 200 lbs (91 kg)	Loads up to maximum load capacity
<b>VEGAS JACKPOT</b>					
Front	90/90 2154H	Dunlop	Elite 3	36 psi (248 kPa)	38 psi (262 kPa)
Rear	250/40R18 81V	Dunlop	Elite 3	38 psi (262 kPa)	41 psi (283 kPa)
<b>NESS JACKPOT</b>					
Front	90/90 21 54H	Dunlop	Elite 3	36 psi (248 kPa)	38 psi (262 kPa)
Rear	250/40R18 81V	Dunlop	Elite 3	38 psi (262 kPa)	41 psi (283 kPa)

## Tires

### Tire Condition

Inspect the tire sidewalls, road contact surface, and tread base for cuts, punctures, and cracking. Replace damaged tires immediately. See the *VICTORY Service Manual* or your authorized VICTORY dealer.

### Tire Tread Depth

Raised areas at the base of the tread, known as wear bars; act as easily visible tread depth indicators. When the road contact surface has worn to the top of the wear bars, replace the tire.

For more precise measurement, use a depth gauge or an accurate ruler to measure the depth of the center tire tread. Replace the tire if the tread depth is less than 1/16 inch (1.6 mm).



# Maintenance

## Spark Plugs

### Spark Plug Recommendations

Replace spark plugs at the intervals recommended in the periodic maintenance table beginning on page 72. Always replace spark plugs in pairs.

Spark Plug Specifications	
Spark Plug Type	NGK DCPR6E
Spark Plug Gap	.031-.035 inch (0.8-0.9 mm)
Spark Plug Torque	10.8-14.5 ft-lbs (14.6-19.7 Nm)

### Spark Plug Inspection

**CAUTION!** Wear face protection when using pressurized air.

1. Make sure the engine is at room temperature.
2. Disconnect the spark plug wires by pulling upward on the spark plug boots.
3. To prevent any debris from entering the engine through the spark plug hole, use pressurized air to clean the area around each spark plug before removing it.
4. Remove the spark plug from the cylinder head with a 5/8-inch spark plug socket.



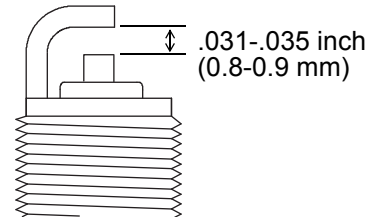
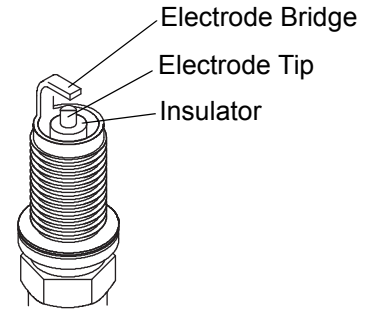
## Spark Plugs

### Spark Plug Inspection

**Tip:** Both spark plugs should have the same light or medium tan color deposits on the insulator around the electrode tip. The spark plug electrode tip and bridge should have sharp, square edges.

5. If spark plugs are in good condition and are not due for replacement, clean them with a non-metallic stiff bristle brush, set the gap with a spark plug gap tool, clean the mating surface on the cylinder head, and install the spark plug with a spark plug socket. Reinstall both spark plug wires.

**Tip:** Spark plugs with bright white or sooty black deposits or with damaged insulators or electrodes can indicate engine problems. If these conditions exist, or if the condition of one plug is markedly different from the other, see the *VICTORY Service Manual* or your authorized VICTORY dealer.



## Maintenance

### Engine Compression

Check engine compression periodically to document engine wear and condition. For engine compression check procedures and special tools required, see the *VICTORY Service Manual* or contact an authorized VICTORY dealer.

### Exhaust System

Check the exhaust system for stains from leaking exhaust gasses. Replace damaged or leaking exhaust gaskets. See the *VICTORY Service Manual* or your authorized VICTORY dealer.

Check all exhaust system fasteners.

1. Tighten exhaust header flange nuts.

**Torque: 12 ft-lbs (16 Nm)**

2. Tighten muffler mounting screws.

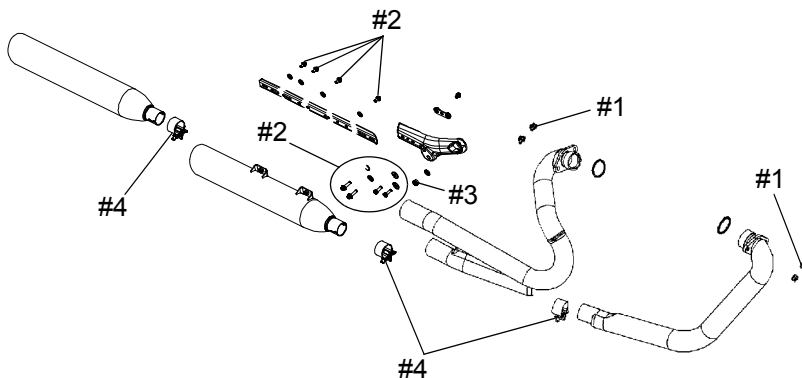
**Torque: 18 ft-lbs (24.5 Nm)**

3. Tighten the support bracket nut.

**Torque: 35 ft-lbs (47.5 Nm)**

4. Tighten muffler clamps.

**Torque: 31 ft-lbs (42 Nm)**





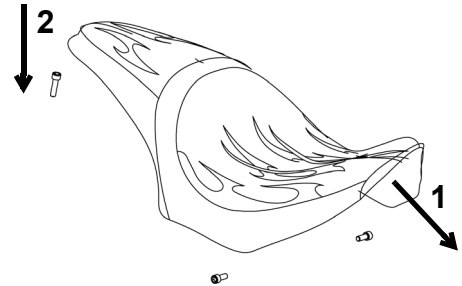
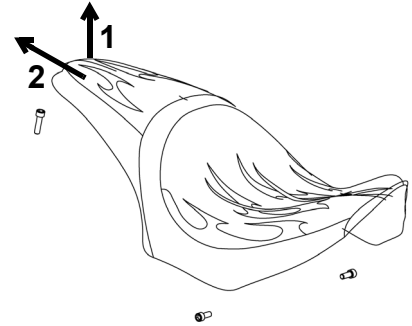
## Seat Removal

**WARNING!** A loose seat could cause a sudden shift in riding position, causing loss of control. Always make sure the seats are securely fastened before riding the motorcycle.

1. Remove the side covers.
2. If necessary, remove the fuse box from the bracket.
3. Remove the three screws securing the seat to the frame.
4. Lift the rear of the seat and pull rearward and upward to remove it.

## Seat Installation

1. Slide the seat tongue into the rubber mount at the rear of the fuel tank. Push down on the rear of the seat until the screw holes align.
2. Ensure the front seat mount is engaged in the front rubber mount, then install the screws and tighten securely.
3. Reinstall the fuse box (if removed).
4. Reinstall the side covers.



# Maintenance

## Battery

The motorcycle battery is a sealed, maintenance-free battery. Do not remove the battery cap strip for any reason. Keep the battery connections clean and tight at all times.

### **WARNING**

**Battery electrolyte is poisonous.** It contains sulfuric acid. Serious burns can result from contact with skin, eyes or clothing.

Antidote:

**External:** Flush with water.

**Internal:** Drink large quantities of water or milk. Follow with milk of magnesia, beaten egg, or vegetable oil. Call physician immediately.

**Eyes:** Flush with water for 15 minutes and get prompt medical attention.

**Batteries may produce explosive gases.**

- Keep sparks, flame, cigarettes, etc. away.
- Ventilate when charging or using in an enclosed space.
- Always shield eyes when working near batteries
- KEEP OUT OF REACH OF CHILDREN.

## Battery

### Battery Removal

1. Remove the seat and left side cover.
2. Remove battery cover retaining nuts, and remove the cover.

**WARNING!** Improperly connecting or disconnecting battery cables can result in an explosion and cause serious injury or death. When removing the battery, always disconnect the negative (black) cable first. When reinstalling the battery, always connect the negative (black) cable last.

3. Disconnect the negative (-) battery cables (black cables with ends exposed) first.
4. Disconnect the positive (+) cables (cable ends are covered with a red boot).
5. Lift the top of the battery until the bottom front edge is clear of the battery tray. Slide the battery straight out. If necessary, reposition the positive battery cable to allow the top of the battery to move upward.

# Maintenance

## Battery

### Battery Charging

1. Clean oxidation from battery posts and cable connectors with a wire brush. Wash the posts and cable connectors with a solution of one part baking soda to 16 parts water. Rinse with clean water and wipe dry. Apply a thin film of dielectric grease to the posts and cable connectors.
2. Following the charger manufacturer's instructions, use an accessory battery charger or a charger designed for use with 12-volt batteries. The charger should have a maximum charging rate of 1.8 amps. Charge the battery for approximately 10 hours at a rate of 1.8 amps. If you use a taper or trickle charger, it will take longer to charge the battery.
3. After charging the battery, allow the battery to sit 1-2 hours before checking the state of charge with a DC volt meter. The charge should be a minimum of 12.5 DC volts. Repeat the charging cycle if the charge is less than 12.5 DC volts. Replace the battery if it fails to reach 12.5 volts after the second charge.

**Tip:** An accessory maintenance charger is available through your authorized VICTORY dealer.

## Battery

### Battery Installation

1. Before installing the battery, make sure it's fully charged and clean.
2. Slide the battery into position in the battery tray with the positive (+) terminal to the rear of the motorcycle.

**NOTICE:** Connecting the battery cables to the wrong terminals can severely damage the electrical system.

3. Connect the positive (+) battery cables, tighten securely and install the red boot.
4. Connect the negative (-) cables and tighten securely. Be sure cables have adequate side cover clearance.
5. Reinstall the battery cover.
6. Reinstall the left side cover.

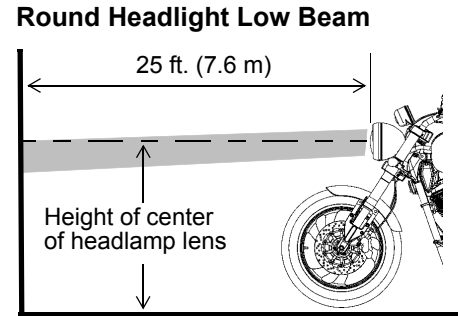
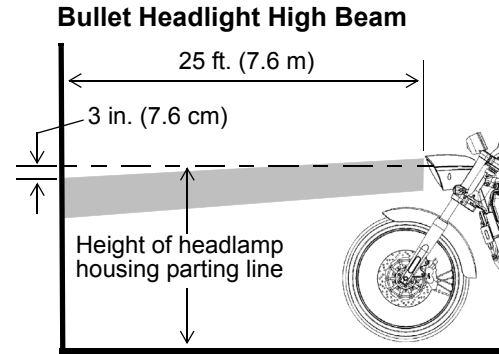
# Maintenance

## Headlight Aim Inspection

**Bullet Headlights:** The top edge of the high beam must be 3 inches (7.6 cm) below the height of the headlight housing parting line and centered straight ahead at 25 feet (7.6 m).

**Round Headlights:** The top edge of the low beam must be at the same height as the center of the headlight lens and centered straight ahead at 25 feet (7.6 m).

1. Verify that tire pressure is at specification. See page 110.
2. Verify that rear suspension ride height (preload) is at specification. Include rider, passenger (if applicable) and cargo when setting preload. See page 88.
3. Position the motorcycle on a level surface with the headlight 25 feet (7.6 m) from a wall.
4. With the operator and passenger (if applicable) on board, bring the motorcycle to the fully upright position.
5. Move the ignition switch to the ON position and switch the headlamp to high beam. Observe the headlight aim on the wall.
6. Make any necessary adjustments to headlight aim.



## Headlight Aim Adjustment

1. To adjust the headlamp vertically, hold the headlamp firmly while loosening the adjustment bolt. Adjust the headlamp and hold it firmly in position while tightening the bolt.

**Torque: 35 ft-lbs (47.5 Nm)**

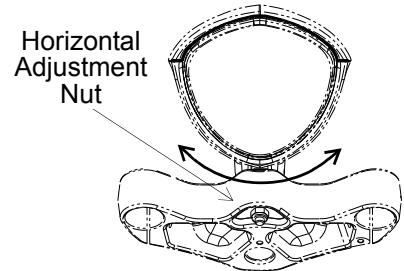
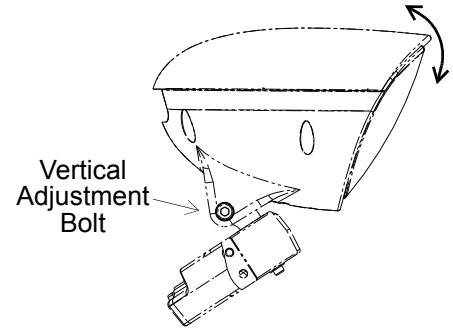
2. To adjust the headlamp horizontally, loosen the horizontal adjustment nut. Adjust the headlamp and hold it firmly in position while tightening the nut.

**Torque: 28 ft-lbs (38 Nm)**

3. Verify proper headlight aim. Readjust if necessary.

## Headlight Lamp Replacement

High intensity discharge lamps should be handled only by a trained technician wearing the appropriate protective gear. See the *VICTORY Service Manual* or an authorized VICTORY dealer.

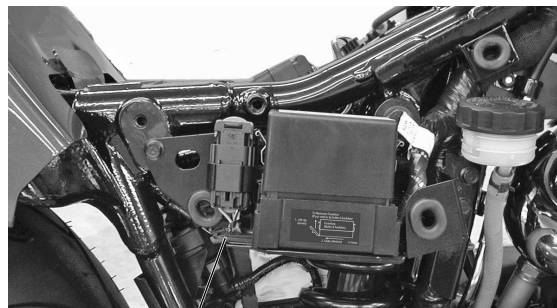


# Maintenance

## Fuse Replacement

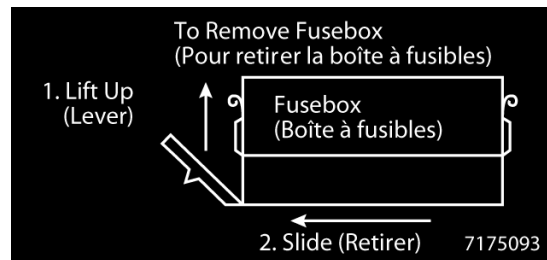
1. Remove the right side cover.
2. Lift the release tab and slide the fuse box rearward to remove it from the bracket. Release the tabs on each side of the fuse box cover and remove the cover.
3. Remove the damaged fuse and seat the new fuse firmly in its place.
4. Reinstall the fuse box cover with the double cutout toward the front of the motorcycle.
5. Reinstall the fuse box and the side cover.

**NOTICE:** Use fuses with the recommended amperage to avoid damage to the electrical system.



Release Tab

Fuse Recommendations	
Fuse Application	Fuse Size
Engine / ECM	15 amp
Fuel Pump	10 amp
Headlamp / Brake Lamp	20 amp
Tail Lamp, Flashers, Indicator Lamp, Horn	15 amp
Ignition / Gauges	15 amp
Accessory Fuse (for emergency use) (motorcycle will operate without fuse)	15 amp



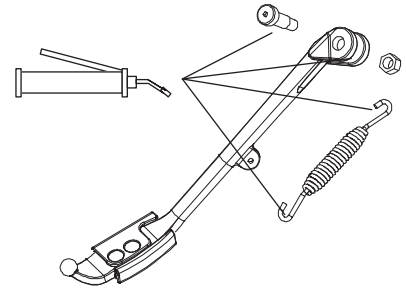


## Sidestand Lubrication

1. Secure the motorcycle in a fully upright position using an appropriate motorcycle lift or a block of wood or steel placed securely under the frame.
2. Move the sidestand upward to its stored position.

**CAUTION!** Wear face protection. The sidestand return spring is under tension and can injure your eyes and face when released.

3. Hold the nut and remove the sidestand pivot bolt and sidestand return spring.
4. Wipe any old grease and dirt from the sidestand, frame and pivot bolt.
5. Lubricate the sidestand, the pivot bolt and the ends of the spring with VICTORY All Purpose Grease or equivalent.
6. Reinstall the sidestand spring and place the sidestand on the mounting boss with the stand in the stored (up) position.
7. Install the pivot bolt and tighten it while holding the nut.  
**Torque: 35 ft-lbs (47 Nm)**
8. Verify that the sidestand moves freely through its pivot range.



## **Maintenance Universal Tool**

The universal tool is located in a holder under the left side cover. The universal tool is a combination 6 mm hexagonal wrench with a Phillips screwdriver tip. It can be used to service the following items (if equipped):

- Oil drain plug
- Air filter
- Headlight lamp
- Accessory fasteners
- Indicator/turn signal lamps
- Handlebar Adjustments
- Passenger Seat

## Pure VICTORY Products

This section provides tips on the very best way to clean, polish and preserve every surface of your beautiful new VICTORY Motorcycle. We recommend the use of our new Pure VICTORY cleaning and polishing products and accessories, which have been specially designed to offer the best care possible for your VICTORY motorcycle.

In addition to the products recommended in this section for cleaning and polishing, Pure VICTORY Polishes also has specialty products for:

- removing scratches, scuffs and swirls
- enhancing black and silver engines
- cleaning engines, tires and wheels
- removing brake dust

After cleaning the motorcycle, inspect for damage to the painted surfaces. Repair chips or scratches promptly by applying VICTORY touch-up paint to prevent corrosion. For more information, or for answers to your cleaning and detailing questions, see your VICTORY dealer or write to the Pure VICTORY Polishes Staff at:

**[victorymailbag@polarisind.com](mailto:victorymailbag@polarisind.com)**

# Cleaning

## Washing the Motorcycle

### Before Washing

1. Make sure exhaust pipes are cool. Cover each pipe opening with a plastic bag secured with a strong rubber band.
2. Check that the spark plugs, spark plug wire caps, oil fill cap and fuel caps are properly seated.
3. Rinse off as much dirt and mud as possible with water running at low pressure. Use as little water as possible when washing near the air cleaner or the exhaust pipe openings. Dry these components thoroughly before using the motorcycle.
4. Clean the front fork tubes thoroughly to reduce fork seal wear and leakage.
5. After washing, remove the rubber bands and plastic bags from the exhaust pipes. Start the engine and let it idle for a few minutes. Make sure the brakes are functioning properly before riding.

**NOTICE:** Do not use pressurized water to wash the motorcycle. Water may seep in and deteriorate wheel bearings, brake caliper assemblies, brake master cylinders, electrical connectors, steering head bearings, and transmission seals. Do not direct any water stream at air intakes, exhaust outlets or electrical connectors.

**NOTICE:** Electrical components may be damaged by water. Do not allow water to contact electrical components or connectors.

**NOTICE:** Do not use glass cleaners, water or soil repellents, and petroleum or alcohol based cleaners on the windshield, as these products can damage the windshield.

## Washing the Motorcycle

There are two totally different styles of motorcycle washing and there is a Pure VICTORY Polish product for each style.

### Standard “Bucket Wash”

This is the conventional way to wash your motorcycle. We recommend the use of Pure VICTORY Bike Wash Concentrate, a concentrated gentle product formulated to clean without diminishing the life of any durable polish. This product does not contain alkalis, acids or abrasives and is formulated to perform as a wetting agent to soften bugs, road grime and soil, and to prevent abrasion from your wash mitt or cloth. This product also decreases drying time without spotting or streaking.

1. Add 1 ounce (about 2 capfuls) to 1 gallon of water.
  2. Apply to a cool motorcycle with a wool or microfiber wash mitt.
- Tip:** For best results, work one side of the motorcycle at a time, working from top to bottom.
3. Rinse thoroughly with an open hose, no pressure needed. Create a sheeting action to eliminate spotting.
  4. Use a Pure VICTORY Microfiber Chamois or Plush Microfiber Towel to dry virtually spot-free.

# Cleaning

## Washing the Motorcycle

### Spray-Rinse-and-Ride Wash

This is the new way to clean your VICTORY quickly and easily, then resume riding. Pure VICTORY Spray Rinse and Ride bike wash is safe and will not harm any surface that water won't harm.

If you clean your bike frequently, you may mix this product 50/50 with water. Spray the product on surfaces cool to the touch. DO NOT spray on a hot motorcycle. When applied, this product softens dirt, soil, bugs and road grime.

1. Spray windshields, body panels, saddle bags, trunks, engines, tires, wheels, pipes and chrome. Consistent and complete coverage of the motorcycle is important for best results.

**Tip:** Use a cloth or wash mitt on stubborn areas.

2. DO NOT allow the product to dry on your motorcycle. Blast rinse with a garden hose equipped with a pressure nozzle. Be sure to rinse thoroughly, then use a gentle rinse to create sheeting action of the water to lessen the possibility of spotting.

**Tip:** Use a Pure VICTORY Microfiber Chamois or Plush Microfiber Towel to dry virtually spot-free.

## Quick Clean-Ups

For quick clean-ups between washings, or when water is not available, use Pure VICTORY Spray & Wipe Instant Detailer, a complete spray-and-wipe product designed to clean and polish all surfaces. It works quickly and easily and is silicone-free so it leaves no oily nor white residue. It provides protection from UV rays, acid rain, and dirt. It will remove bugs, road tar, and road grime from your windshield, paint and chrome. This product is safe for all surfaces, including pin striping, custom paint or murals. It's safe for Plexiglas, Lexan, Acrylic or factory-coated windscreens. It's non-streaking, and it provides polish protection and a water-repellent shine.

1. Spray on all surfaces, including the windshield, paint, chrome, wheels and leather to clean, polish and protect.
2. Wipe dry with Pure VICTORY Plush Microfiber Towel. DO NOT use a T-shirt.
3. Spray on and wipe off to easily remove bugs, dust and water spots. For heavily soiled surfaces, use product more liberally.

**Tip:** Use this product on the windshield to repel water and enhance rain visibility.

# Cleaning

## Polishing the Motorcycle

### Polished Aluminum Care

When a VICTORY is new, the polished aluminum wheels, hand levers and shifter shine like chrome. Ultraviolet (UV) rays and oxidation will cause polished aluminum to grow dull, however, if it's not properly polished and protected.

Pure VICTORY Awesome Metal Polish will clean, polish and protect these aluminum surfaces. This metal polish will restore that factory chrome-like shine and leave a protective coating that resists future oxidation for several months. Pure VICTORY Awesome Metal Polish provides instant results you must see to believe!

1. Shake the polish container well before using.
2. Apply the product with a terry cotton or microfiber cloth or pad.
3. Rub gently until the black begins to come to the surface or until shine begins to show through the haze.
4. Allow the product to haze.
5. Remove the haze with a terry cotton or microfiber cloth and buff to a long-lasting chrome-like shine.



## Polishing the Motorcycle

There are now two totally different styles of polishing or protecting your paint and chrome.

### **Standard Method of Polishing Paint and Chrome**

Pure VICTORY Windshield, Paint and Chrome Polish is a unique formula designed to produce a glass-like shine on painted or clear-coated finishes and chrome surfaces. Use it on chrome-plated accessories to prevent surface rust and create a glass-like shine.

- Use it on chrome-plated accessories to prevent surface rust and create a glass-like shine.
- This product creates a high reflective index point, giving a deep, shiny finish without silicone.
- Use it to polish and fill light scratches on Plexiglas, Lexan, Acrylic and factory-coated windshields.
- It repels water from windshields and keeps bugs from sticking.
- Windshield, Paint and Chrome Polish provides long-lasting protection from oxidation, corrosion, UV rays and heat.

# Cleaning

## Polishing the Motorcycle

### Standard Method of Polishing Paint and Chrome

1. Shake the container well before using.
2. Apply with Pure VICTORY 100% Microfiber Wax Applicator in a circular motion or straight line to a clean surface. It can be applied in direct sunlight.
3. Rub the product until it is almost clear, then allow to dry to a haze before removal. The entire motorcycle can be treated before removing polish.
4. Use a Pure VICTORY Polishes Plush Microfiber Towel to wipe it off easily and dust-free.
5. For best results on a windshield, apply to a clean windshield. Once applied, rain water beads and blows off, enhancing rain visibility. The glass-like finish keeps bugs from sticking and permits their easy removal.

## Polishing the Motorcycle Premium Polishing for Long-Lasting Protection

This newer style of polishing paint and chrome utilizes the latest in high-quality polymer technology that provides the longest-lasting protection available in the polish industry today. Pure VICTORY Liquid Spray Wax for Windshields, Paint & Chrome is formulated for polishing after washing and can be sprayed on wet or dry surfaces. Liquid Spray Wax quickly produces a durable, high-gloss shine with minimal effort. It contains NO ABRASIVES and is clear coat-safe. It contains NO PETROLIUM DISTILLATES or SILICONES.

1. Shake container well before use.
2. Begin by washing and rinsing the motorcycle.
3. Spray Liquid Spray Wax on a wet or dry bike, one section at a time. (For best results, the bike's surface should be cool.)
4. Wipe dry one section at a time with Pure VICTORY Microfiber Chamois or microfiber towel.
5. When finished drying, buff the entire motorcycle with a clean, dry Pure VICTORY Microfiber Polishing Towel for a clean and luxurious shine.

**Tip:** Liquid Spray Wax can also be applied to clean and dry clear coats, windshields and chrome. Apply to one section at a time and wipe dry. When finished, use a second towel to buff to a luxurious, long-lasting shine.

## Cleaning Leather, Rubber and Vinyl Care

### **⚠ WARNING**

Never use a non-recommended protectant on seats, footrests, hand grips or tires. Slippery seats, footrests or hand grips can cause loss of control. Slippery tires can cause loss of traction and loss of control. Both situations could result in serious injury or death.

For the finest leather care, use Pure VICTORY Leather, Vinyl & Rubber Conditioner, a unique, pleasantly scented formula of premium-quality polymers designed to restore luster and softness to vinyl, leather and rubber *without making them slippery*.

This product is a true conditioner, not a coating. It does not close the pores of the surfaces but penetrates, nourishes and softens the material. It protects against ultra violet (UV) rays and cracking, repels water and prolongs the life and like-new appearance of the materials. Applied to rubber, this product creates a water-repellent, like-new appearance. Regular use increases soil resistance.

1. Apply the product on a clean dry surface using a soft cloth.
2. Rub the product into the material. Repeat the treatment if the surface is extremely dry.
3. Wipe dry with a second cloth to remove excess product. Buff lightly with the second towel for additional luster.

## Storage

If you will not operate the motorcycle for several months, such as during the winter, store the motorcycle to prevent damage to the fuel system and the battery and to protect components from corrosion or deterioration. During storage you might use products that are potentially hazardous; such as fuel stabilizer. When using any of these products, follow the instructions and warnings on the product packaging.

This section includes instructions for preparing the motorcycle for storage, maintaining it during storage and removing it from storage.

### Storage Area Preparation

Choose a dry, well-ventilated storage location, inside a garage or other structure if possible. The location should have a firm, flat surface and allow enough space for the motorcycle.

To best preserve tire condition:

- The storage area should have a relatively constant and moderate temperature.
- The storage surface should be free of oil and gasoline.
- The motorcycle should not be near a radiator or other heat source, or any type of electric motor.

## **Storage**

### **Clean and Protect the Motorcycle**

To prepare the motorcycle for storage, begin by cleaning it as outlined beginning on. Wax painted surfaces and polish chromed and other metal surfaces. Apply protectant to exposed rubber, vinyl, and plastic parts.

*Do not apply rubber protectant to the tire tread surfaces.*

### **Fuel Stabilizer**

Using a mixture of fuel and the recommended amount of VICTORY Premium Carbon Clean Plus or other gasoline stabilizer, fill the fuel tank to a level just below the bottom of the fuel filler insert.

Ride the motorcycle or start and run the engine for 15 minutes in a well ventilated area to pass the stabilized fuel through entire fuel-injection system.

### **Engine Protection**

Change the engine oil. See page 75. Carbon deposits and combustion acids, normally suspended in the engine oil when in service, settle on internal engine components during storage. Settled deposits can cause engine damage or internal corrosion.

### Tire Inflation

Verify that tire pressure is at specification. See page 110. Check and adjust tire pressure as needed during the storage period.

### Battery Care

1. Remove the battery. See page 117.
2. Clean oxidation from battery posts and cable connectors with a wire brush. Wash the posts and cable connectors with a solution of one part baking soda to 16 parts water. Rinse with clean water and wipe dry. Apply a thin film of dielectric grease to the posts and cable connectors.
3. Clean the outside of the battery with a solution of mild detergent and warm water.
4. Store the battery in a dry area with a temperature of 32° to 90°F (0° to 32° C).
5. While in storage, fully charge the battery monthly. If the motorcycle will not be used for a period of six weeks or longer, a maintenance charger should be connected to the battery. See page 118. A fused maintenance charger connection is provided under the left side cover. The connector is designed for use with the VICTORY maintenance charger.

## **Storage Motorcycle Covers**

Park the motorcycle in its storage location.

Cover it with a genuine VICTORY motorcycle cover, or a cover made from a durable, breathable material designed for storage. Covering the motorcycle helps protect it from dust and other airborne materials. The cover must be of a breathable material to prevent moisture from building up on the motorcycle which can cause oxidation of metal surfaces.

## **Protection from Rodents**

Mice and other rodents are often the worst enemy of a stored motorcycle. If the motorcycle will be stored in an area where mice are a concern (particularly in rural areas, barns, sheds, etc.) be sure to take extra measures to deter their infestation. This may include placing a screen mesh over any intake or exhaust openings (just be sure to remember to remove them when you take the motorcycle from storage).



## Removal From Storage

1. Remove the cover and unlock the front forks (if locked).
2. Verify that tire pressure is at specification.
3. Install the battery and perform an electrical inspection.
4. Change the oil and filter before starting the engine. See page 75, beginning with step 3.
5. Inspect the storage area for signs of fluid leaks. Identify and perform service to any leaking components.

**NOTICE:** During storage, temperature and humidity changes can cause condensation to form in the crankcase and mix with engine oil. Running the engine with oil that contains condensation can cause engine damage.

6. Install new spark plugs if necessary.
7. Wash and polish the motorcycle. Wax, polish, or apply protectant to appropriate components.
8. Perform the pre-ride inspections. See page 45.
9. Perform a road test. See page 71.

## **Warranties**

### **Motorcycle Noise Regulation**

Tampering with noise control systems is prohibited. Federal law prohibits the following acts or causing thereof:

- The removal or rendering inoperative by any person other than for purposes of maintenance, repair, or replacement, of any device or element of design incorporated into any new vehicle for the purpose of noise control prior to its sale or delivery to the ultimate purchaser or while it is in use, or
- The use of the vehicle after such device or element of design has been removed or rendered inoperative by any person.

Among those acts presumed to constitute tampering are:

- Removal or puncturing of the muffler, baffles, header pipes or any other component which conducts exhaust gases.
- Removal or puncturing of any part of the intake system.
- Lack of proper maintenance.
- Replacing any moving part of the vehicle, or parts of the exhaust or intake system, with parts other than those specified by the manufacturer.

This product should be checked for repair or replacement if the motorcycle noise has increased significantly through use. Otherwise, the owner may become subject to penalties under state and local ordinances.

### **Noise Emission Warranty**

VICTORY Motorcycle Division warrants that this exhaust system, at the time of sale, meets all applicable U.S. EPA Federal noise standards. This warranty extends to the first person who buys this exhaust system for purposes other than resale, and to all subsequent buyers.

Warranty claims should be directed to an authorized VICTORY dealer or VICTORY Motorcycle Division, Polaris Sales Inc., P.O. Box 47700, Hamel, MN 55340-9960

## Emissions Control System Warranty

VICTORY MOTORCYCLES, Polaris Sales Inc. - Emission Control System Warranty Statement

### Your Warranty Rights and Obligations

The California Air Resources Board and VICTORY Motorcycle Division, Polaris Sales Inc. (hereinafter VICTORY) are pleased to explain the emission control system warranty on your 2010 or later VICTORY motorcycle. In California, new motor vehicles must be designed, built and equipped to meet the state's stringent anti-smog standards. VICTORY must warrant the emission control system on your motorcycle for the periods of time listed below provided there has been no abuse, neglect or improper maintenance of your motorcycle.

Your emission control system may include parts such as the fuel-injection system, the ignition system, catalytic converter and engine computer. Also included may be hoses, belts, connectors and other emission-related assemblies.

Where a warrantable condition exists, VICTORY will repair your motorcycle at no cost to you, including diagnosis, parts and labor.

### Manufacturer's Warranty Coverage

Class III motorcycles (280 cc and larger): for a period of use of five (5) years or 30,000 kilometers (18,641 miles), whichever first occurs.

If an emission-related part on your motorcycle is defective, the part will be repaired or replaced by VICTORY. This is your emission control system DEFECTS WARRANTY.

# **Warranties**

## **Emissions Control System Warranty**

### **Owner's Warranty Responsibilities**

As the motorcycle owner, you are responsible for the performance of the required maintenance listed in your owner's manual. VICTORY recommends that you retain all receipts covering maintenance on your motorcycle, but VICTORY cannot deny warranty solely for the lack of receipts or for your failure to ensure the performance of all scheduled maintenance.

You are responsible for presenting your motorcycle to a VICTORY dealer as soon as a problem exists. The warranty repairs should be completed in a reasonable amount of time, not to exceed 30 days.

As the motorcycle owner, you should be aware that VICTORY may deny your warranty coverage if your motorcycle or part has failed due to abuse, neglect, improper maintenance or unapproved modifications.

If you have any questions regarding your warranty rights and responsibilities, you should contact VICTORY Motorcycle Division, Polaris Sales Inc., P.O. Box 47700, Hamel, Minnesota 55340-9960, or the California Air Resources Board, P.O. Box 8001, 9528 Telstar Avenue, El Monte, CA 91734-8001.

VICTORY Motorcycle Division, Polaris Sales Inc. - Limited Warranty on Emission Control System

VICTORY Motorcycle Division, Polaris Sales Inc., (hereinafter VICTORY) warrants that each new 2010 and later VICTORY Motorcycle that includes as standard equipment a headlight, taillight and stoplight, and is street legal:

- A. is designed, built and equipped so as to conform at the time of initial retail purchases with all applicable regulations of the United States environmental Protection Agency, and the California Air Resources Board; and
- B. is free from defects in material and workmanship which cause such motorcycle to fail to conform with applicable regulations of the United States Environmental Protection Agency or the California Air Resources Board for a period of use, depending on the engine displacement, of 12,000 kilometers (7,456 miles), if the motorcycle's engine displacement is less than 170 cubic centimeters; of 18,000 kilometers (11,185 miles), if the motorcycle's engine displacement is equal or greater than 170 cubic centimeters but less than 280 cubic centimeters; or of 30,000 kilometers (18,641 miles), if the motorcycle's engine displacement is 280 cubic centimeters or greater; or 5 (five) years from the date of initial retail delivery, whichever occurs first.

## Emissions Control System Warranty

### I. Coverage

Warranty defects shall be remedied during customary business hours at any authorized VICTORY motorcycle dealer located within the United States of America in compliance with the Clean Air Act and applicable regulations of the United States Environmental Protection Agency and the California Air Resources Board. Any part or parts replaced under this warranty shall become the property of VICTORY.

In the State of California only, emission related warranted parts are specifically defined by the state's Emission Warranty Parts List. These warranted parts are: carburetor and internal parts; intake manifold; fuel tank; fuel injection system; spark advance mechanism; crankcase breather; air cutoff valves; fuel tank cap for evaporative emission controlled vehicles; oil filler cap; pressure control valve; fuel/vapor separator; canister; igniters; breaker governors; ignition coils; ignition wires; ignition points; condensers, and spark plugs if failure occurs prior to the first scheduled replacement; and hoses, clamps, fittings and tubing used directly in these parts. Since emission related parts may vary from model to model, certain models may not contain all of these parts and certain models may contain functionally equivalent parts.

In the State of California only, Emission Control System emergency repairs, as provided for in the California Administrative Code, may be performed by other than an authorized VICTORY dealer. An emergency situation occurs when an authorized VICTORY dealers is not reasonably available, a part is not available within 30 days, or a repair is not complete within 30 days. Any replacement part can be used in an emergency repair. VICTORY will reimburse the owner for expenses, including diagnosis, not to exceed VICTORY's suggested retail price for all warranted parts replaced and labor charges based on VICTORY's recommended time allowance for the warranty repair and the geographically appropriate hourly labor rate. The owner may be required to keep receipts and failed parts in order to receive compensation.

# **Warranties**

## **Emissions Control System Warranty**

### **II. Limitations**

This Emission Control System warranty shall not cover any of the following:

- A. Repair or replacement required as a result of:
  - (1) accident
  - (2) misuse
  - (3) repairs improperly performed or replacements improperly installed
  - (4) use of replacement parts or accessories not conforming to VICTORY specifications which adversely affect performance and/or
  - (5) use in competitive racing or related events.
- B. Inspections, replacement of parts, and other services and adjustments necessary for required maintenance
- C. Any motorcycle on which the odometer mileage has been changed so that actual mileage cannot be readily determined.

## Emissions Control System Warranty

### III. Limited Liability

- A. The liability of VICTORY under this Emission Control System Warranty is limited solely to the remedying of defects in material or workmanship by an authorized VICTORY motorcycle dealer at its place of business during customary business hours. This warranty does not cover inconvenience or loss of use of the motorcycle or transportation of the motorcycle to or from the VICTORY dealer. VICTORY SHALL NOT BE LIABLE FOR ANY OTHER EXPENSES, LOSS OR DAMAGE, WHETHER DIRECT, INCIDENTAL, CONSEQUENTIAL OR EXEMPLARY ARISING IN CONNECTION WITH THE SALE OR USE OF OR INABILITY TO USE THE VICTORY MOTORCYCLE FOR ANY PURPOSE. SOME STATES DO NOT ALLOW THE EXCLUSION OR LIMITATION OF ANY INCIDENTAL OR CONSEQUENTIAL DAMAGES, SO THE ABOVE LIMITATIONS MAY NOT APPLY TO YOU.
- B. NO EXPRESS EMISSION CONTROL SYSTEM WARRANTY IS GIVEN BY VICTORY EXCEPT AS SPECIFICALLY SET FORTH HEREIN. ANY EMISSION CONTROL SYSTEM WARRANTY IMPLIED BY LAW, INCLUDING ANY WARRANTY OF MERCHANTABILITY OR FITNESS FOR A PARTICULAR PURPOSE, IS LIMITED TO THE EXPRESS EMISSION CONTROL SYSTEM WARRANTY TERMS STATED IN THIS WARRANTY. THE FOREGOING STATEMENTS OF WARRANTY ARE EXCLUSIVE AND IN LIEU OF ALL OTHER REMEDIES. SOME STATES DO NOT ALLOW LIMITATIONS ON HOW LONG AN IMPLIED WARRANTY LASTS SO THE ABOVE LIMITATIONS MAY NOT APPLY TO YOU.
- C. No dealer is authorized to modify this VICTORY Limited Emission Control System Warranty.

# **Warranties**

## **Emissions Control System Warranty**

### **IV. Legal Rights**

THIS WARRANTY GIVES YOU SPECIFIC LEGAL RIGHTS, AND YOU MAY ALSO HAVE OTHER RIGHTS WHICH VARY FROM STATE TO STATE.

### **V. This Warranty Is In Addition To The VICTORY Limited Motorcycle Warranty**

### **VI. Additional Information**

Any replacement part that is equivalent in performance and durability may be used in the performance of any maintenance or repairs. However, VICTORY is not liable for these parts. The owner is responsible for the performance of all required maintenance. Such maintenance may be performed at a service establishment or by any individual. The warranty period begins on the date the motorcycle is delivered to an ultimate purchaser.

**VICTORY Motorcycle Division, Polaris Sales Inc.**

**P.O. Box 47700**

**Hamel, MN 55340-9960**

**ATTN: Warranty Department**



## **VICTORY Motorcycle Warranty Policy Limited Warranty**

VICTORY Motorcycle Division, Polaris Sales Inc., P.O. Box 47700, Hamel, Minnesota 55340-9960, gives a ONE YEAR LIMITED WARRANTY on all components of the VICTORY Motorcycle against defects in material or workmanship. This warranty covers the parts and labor charges for repair or replacement of defective parts which are covered by this warranty. This warranty begins on the date of purchase. This warranty is transferable to another consumer during the warranty period through a VICTORY Motorcycle dealer.

### **Registration**

At the time of sale, the Warranty Registration Form must be completed by your dealer and submitted to VICTORY Motorcycle Division, Polaris Sales Inc. within ten days. Upon receipt of this registration, VICTORY Motorcycle Division, Polaris Sales Inc. will record the registration for warranty. No verification of registration will be sent to the purchaser as the copy of the Warranty Registration Form will be the warranty entitlement. If you have not signed the original registration and received the "customer copy", please contact your dealer immediately. **NO WARRANTY COVERAGE WILL BE ALLOWED UNLESS YOUR VICTORY MOTORCYCLE IS REGISTERED WITH VICTORY MOTORCYCLES DIVISION OF POLARIS SALES INC.**

Initial dealer preparation and set-up of your VICTORY Motorcycle is very important in ensuring trouble-free operation. Purchasing a motorcycle in the crate or without proper dealer set-up will void your warranty coverage.

# Warranties

## VICTORY Motorcycle Warranty Policy

### Warranty Coverage And Exclusions:

#### Limitations Of Warranties And Remedies

The warranty excludes any failures that are not caused by a defect in material or workmanship. This warranty does not cover accidental damage, normal wear and tear, abuse or improper handling. This warranty also does not cover any VICTORY Motorcycle that has been altered structurally, modified, neglected, improperly maintained, used for racing, or used for purposes other than for which it was manufactured, or for any damages which occur during trailer transit or as a result of unauthorized service or the use of unauthorized parts. In addition, this warranty does not cover physical damage to paint or finish, stress cracks, tearing or puncturing of upholstery material, corrosion, or defects in parts, components or VICTORY Motorcycle due to fire, explosions or any other cause beyond VICTORY Motorcycle Division, Polaris Sales Inc. control.

This warranty does not cover the use of unauthorized lubricants, chemicals, or fuels that are not compatible with the VICTORY Motorcycle.

The exclusive remedy for breach of this warranty shall be, at VICTORY Motorcycle Division, Polaris Sales Inc. exclusive option, repair or replacement of any defective materials, or components or products. THE REMEDIES SET FORTH IN THIS WARRANTY ARE THE ONLY REMEDIES AVAILABLE TO ANY PERSON FOR BREACH OF THIS WARRANTY. VICTORY MOTORCYCLES DIVISION OF POLARIS SALES INC. SHALL HAVE NO LIABILITY TO ANY PERSON FOR INCIDENTAL, CONSEQUENTIAL OR SPECIAL DAMAGES OF ANY DESCRIPTION, WHETHER ARISING OUT OF EXPRESS OR IMPLIED WARRANTY OR ANY OTHER CONTRACT, NEGLIGENCE, OR OTHER TORT OR OTHERWISE. Some states do not permit the exclusion or limitation of incidental or consequential damages or implied warranties, so the above limitations or exclusions may not apply to you if inconsistent with controlling state law.

## VICTORY Motorcycle Warranty Policy

### Warranty Coverage And Exclusions:

#### Limitations Of Warranties And Remedies

ALL IMPLIED WARRANTIES (INCLUDING BUT NOT LIMITED TO THE IMPLIED WARRANTIES OF MERCHANTABILITY AND FITNESS FOR A PARTICULAR PURPOSE) ARE LIMITED IN DURATION TO THE ABOVE ONE YEAR WARRANTY PERIOD. VICTORY MOTORCYCLES DIVISION OF POLARIS SALES INC. FURTHER DISCLAIMS ALL EXPRESS WARRANTIES NOT STATED IN THIS WARRANTY OTHER THAN EMISSIONS AND EXCISE WARRANTIES. Some states do not allow limitations on how long an implied warranty lasts, so the above limitation may not apply to you if inconsistent with controlling state law.

#### How To Obtain Warranty Service

If your VICTORY Motorcycle requires warranty service, you must take it to a VICTORY Motorcycle Servicing Dealer. When requesting warranty service you must present your copy of the Warranty Registration form to the dealer. (THE COST OF TRANSPORTATION TO AND FROM THE DEALER IS YOUR RESPONSIBILITY). VICTORY Motorcycles division of Polaris Sales Inc. suggests that you use your original selling dealer; however, you may use any VICTORY Motorcycle Servicing Dealer to perform warranty service.

Please work with your dealer to resolve any warranty issues. Should your dealer require any additional assistance they will contact the appropriate person at VICTORY Motorcycles division of Polaris Sales Inc.

This warranty also gives you specific legal rights, and you may also have other rights which vary from state to state.

If any of the above terms are void because of state or federal law, all other warranty terms will remain in effect.

# Specifications

<b>2010 VEGAS JACKPOT / NESS JACKPOT</b>	
<b>Dimensions</b>	
Overall Length	96.3 in (244.6 cm)
Overall Width	37.0 in. (94 cm)
Overall Height	47.25 in (120.0 cm)
Seat Height	25.70 in (65.3 cm)
Wheelbase	66.3 in (168.4 cm)
Ground Clearance	5.3 in (13.5 cm)
Rake/Trail	33.5° / 5.12 in. (13 cm)
<b>Weight</b>	
Dry Weight	652 lbs. (296 kg)
Wet Weight	680 lbs. (309 kg)
Gross Vehicle Weight Rating (GVWR)	1171 lbs. (531 kg)
Maximum Load Capacity (riders, cargo, accessories)	494 lbs. (224 kg)
Gross Axle Weight Rating (GAWR)	407 lbs. (185 kg) Front Axle 764 lbs. (347 kg) Rear Axle
<b>Capacities</b>	
Engine Oil	5 qts. (4.75 l) / approximately 9 pts. (4.25 l) at oil change
Fuel	4.5 gal. (17 l)
Fuel Reserve	.8 gal. (3 l)

**Tip:** Dimensions and specifications may vary with features, options and accessories.

# Specifications

2010 VEGAS JACKPOT / NESS JACKPOT	
<b>Engine</b>	
Engine Type	VICTORY Freedom® 106 / 6 V-Twin
Configuration	4 Stroke 50° Traverse V-Twin
Displacement	106 cu. in. (1731 cc)
Cooling System / Oiling System	Air & Oil / Wet Sump
Compression Ratio	9.4:2
Valve Train	SOHC - 4 Valves Per Cylinder / Hydraulic Lifters & Cam Chain Adjusters
Bore and Stroke	101 x 108 mm
Fuel System / Throttle Body Bore	Electronic Fuel Injection / 45 mm
Exhaust System	Dual-Large Bore Slash-Cut with Common Volume
Spark Plug / Gap	NGK DCPR6E / .031-.035 inch (0.8-0.9 mm)
<b>Chassis</b>	
Front Suspension Type / Travel	43mm Conventional Telescopic Fork / 5.1 in. (13 cm)
Rear Suspension Type/Travel	Single Monotube Gas / Preload Adjustable / 3.0 in. (7.5 cm)
Swingarm	Forged & Cast Aluminum with Rising Rate Linkage
Front Brakes	Dual 300 x 5 mm / Floating Rotor / 4 Piston Calipers
Rear Brakes	Single 300 x 5 mm / Floating Rotor / 2 Piston Caliper

**Tip:** Dimensions and specifications may vary with features, options and accessories.

# Specifications

## 2010 VEGAS JACKPOT / NESS JACKPOT

### Drive System

Final Drive Type	Carbon Fiber Reinforced Belt
Transmission Type	6 Speed Overdrive / Constant Mesh
Primary Drive	Gear Drive With Torque Compensator
Primary Reduction Ratio	1.5:1
Gear Shift Pattern	1 Down / 5 Up
Internal Gear Ratios	
1st Gear	3.15:1
2nd Gear	2.03:1
3rd Gear	1.53:1
4th Gear	1.24:1
5th Gear	1:1
6th Gear (Overdrive)	.84:1
Final Drive Ratio	2.12:1
Clutch Type	Wet Multi-Plate / Diaphragm Spring

**Tip:** Dimensions and specifications may vary with features, options and accessories.

# Specifications

<b>2010 VEGAS JACKPOT / NESS JACKPOT</b>	
<b>Wheels and Tires</b>	
Front Wheel Type / Size	Cast or Billet 21 x 2.15
Rear Wheel Type / Size	Cast or Billet 18 x 8.5
Front Tire Type / Size	Dunlop Elite 3 / 90/90 2154H Tubeless
Rear Tire Type / Size	Dunlop Elite 3 / 250/40R18 81V Tubeless
<b>Electrical</b>	
Alternator	38 Amp Max Output
Battery	YTX20HL-BS / 12 Volts 18 Amp Hour / 310 CCA
Fuse, Engine / ECM	15 amp
Fuse, Fuel Pump	10 amp
Fuse, Headlight / Brake Light Lamps	20 amp
Fuse, Tail Light Lamps / Flashers / Indicator Lamps / Horn	15 amp
Fuse, Ignition / Gauges	15 amp
Fuse, Accessory	15 amp
Bulb, Headlight (International)	High H11 / Low H11
Bulb, Taillight	Non-Serviceable LED
Bulb, Turn Signal	R10W / Auto-Cancel System
Bulb, Indicator	2.3 Watt Wedge Base

**Tip:** Dimensions and specifications may vary with features, options and accessories.

## **Specifications**

### **Fuel Specifications**

For best performance, use only unleaded gasoline with a 91 pump octane minimum (R+M/2 Method).

**DO NOT USE E85 GASOLINE OR GASOLINE CONTAINING METHANOL.**

Using E85 gasoline or gasoline/methanol blends can result in poor starting and driveability, and may damage critical fuel system components.

Gasoline containing up to 15% Methyl Tertiary Butyl Ether (MTBE) can be used.

Gasoline containing up to 10% Ethanol can be used.

Gasoline that has been reformulated or oxygenated can be used.

### **Engine Oil Specifications**

Polaris recommends the use of VICTORY Brand Synthetic Blend 20W-40 Motor Oil or an equivalent oil designed for use with wet clutches (such as those with a JASO MA rating).

### **Service Manual Availability**

See your dealer to purchase a *VICTORY Service Manual* for your motorcycle.



## Identification Numbers

Record important identification numbers below. Refer to pages 30-31 for locations.

**Vehicle Identification Number:** \_\_\_\_\_

(Located on right side of steering head)

**Engine Identification Number:** \_\_\_\_\_

(Located on crankcase to right of oil filter)

**Ignition Key Number:** \_\_\_\_\_

(Stamped on shaft of key)

**Model Number:** \_\_\_\_\_

(Located on left side of steering head)

# Maintenance Record

SERVICE PERFORMED	COMMENTS	MILES (KM)	DATE	PERFORMED BY

# Maintenance Record

SERVICE PERFORMED	COMMENTS	MILES (KM)	DATE	PERFORMED BY

# Maintenance Record

SERVICE PERFORMED	COMMENTS	MILES (KM)	DATE	PERFORMED BY

# Index

## A

About the Owner's Manual . . . . .	6
Accelerating . . . . .	67
Accessory Guidelines . . . . .	17-18
Accessory Selection and Installation . . . . .	21
Air Filter . . . . .	77
Aluminum Care . . . . .	130
Apparel, Protective . . . . .	15
Axle Inspection, Front . . . . .	94
Axle Inspection, Rear . . . . .	92

## B

<b>Battery . . . . .</b>	<b>116-119</b>
Battery Removal . . . . .	117
Charging . . . . .	118
Connecting Cables Properly . . . . .	117
Electrolyte . . . . .	116
Emergency Treatment . . . . .	116
Installation . . . . .	119
Removal . . . . .	117
Brake Disc Maintenance . . . . .	108
Brake Fluid Level, Front . . . . .	51
Brake Fluid Level, Rear Brake . . . . .	53

## B

Brake Fluid Maintenance, Front . . . . .	105
Brake Fluid Maintenance, Rear . . . . .	106
Brake Lever Adjustment . . . . .	50
Brake Lever Lubrication . . . . .	107
Brake Lever, Front Brake . . . . .	41, 50
Brake Line Inspections . . . . .	53
Brake Line Maintenance . . . . .	108
Brake Pad Inspection . . . . .	53
Brake Pad Maintenance . . . . .	108
Brake Pedal Gap . . . . .	52
Brake Pedal Inspection . . . . .	51-52
Brake Pedal, Rear Brake . . . . .	42, 51-52
Brake Systems Maintenance . . . . .	105-108
Braking . . . . .	67
Break-in Period, Engine . . . . .	59-63

## C

Cargo Loading Safety . . . . .	17-18
Cargo Restraints . . . . .	49
Carrying a Passenger . . . . .	14
Carrying Cargo . . . . .	17-18
Caution Definition . . . . .	7

## C

Chrome Polishing . . . . .	131-132
Cleaning Products . . . . .	125
Clutch Cable Lubrication (Mechanical) . . . . .	102
Clutch Fluid (Hydraulic) . . . . .	103
Clutch Fluid Level (Hydraulic) . . . . .	56
Clutch Inspection (Mechanical) . . . . .	55
Clutch Lever . . . . .	39
Clutch Lever Freeplay (Mechanical) . . . . .	100
Clutch Lever Lubrication (Hydraulic) . . . . .	104
Clutch Lever Lubrication (Mechanical) . . . . .	101
Clutch Maintenance (Hydraulic) . . . . .	103-104
Clutch Maintenance (Mechanical) . . . . .	100-102
Crankcase Ventilation Hose Inspection . . . . .	95

## D

Defects, Reporting . . . . .	26
Drive Belt Condition . . . . .	78
Drive Belt Inspection . . . . .	57
Drive Belt Tension Adjustment . . . . .	82-83
Drive Belt Tension Inspection . . . . .	78-81

# Index

<b>E</b>		<b>F</b>		<b>G</b>	
Electrical Components	46	Fluid Level, Front Brake	51	Gasoline Safety	22
Electrical Inspection	46	Fluid Level, Hydraulic Clutch	56	Gear Shift Pedal	42
Electromagnetic Interference	23	Fluid Level, Rear Brake	53	Gear Shift Pedal Adjustment	109
Emission Control System Warranty	141-146	Fork Inspection	93	Gear Shifting	64-66
Engine Break-in	59-63	Front Axle Inspection	94	Gross Vehicle Weight Rating	16
Engine Compression Inspection	114	Front Brake Lever	41, 50	GVWR	16
Engine Identification Number	31	Front Fork Inspection	93	<b>H</b>	
Engine Identification Record	155	Fuel Cap Access	43	Handlebar Components	27
Engine Oil Change	75-76	Fuel Fill Height	61	Handlebar Controls, Left	38-39
Engine Oil Level	47	Fuel Filters	96	Handlebar Controls, Right	40-41
Engine Starting	62-63	Fuel Hose Inspection	95	Headlight Aim Adjustment	121
Engine Stopping	68	Fuel Hose, Rail and Connections	48	Headlight Aim Inspection	120
Equipment Modifications	19	Fuel Level	48	Headlight Lamp Replacement	121
Evaporative Emission Control System	48, 95	Fuel Safety	22	Helmet Use	15
Exhaust Safety	22	Fuel Stabilizer	136	<b>I</b>	
Exhaust System Inspection	114	Fuel System Maintenance	95-97	Identification Number, Engine	31
<b>F</b>		Fuel System, Priming	61	Identification Number, Vehicle	30
Fastener Inspection	58	Fuel Tank Removal/Installation	96-97	Identification Numbers Record	155
<b>Fluid</b>		Fuse Recommendations	122	Ignition Key Number	31
Clutch (Hydraulic)	103	Fuse Replacement	122	Ignition Key Record	155
Front Brake	105			Ignition Switch	32-33
Rear Brake	106				

# Index

## I

### Indicator

Check Engine . . . . .	36
High Beam . . . . .	36
Low Fuel . . . . .	37
Low Oil Pressure . . . . .	37
Neutral . . . . .	36
Overdrive . . . . .	35
Turn Signal . . . . .	37
Indicator Lights . . . . .	36-37
Information Labels . . . . .	24-25
Inspection, Pre-Ride . . . . .	45-58
Instrument Cluster . . . . .	34-35

## K

Key Number . . . . .	31
----------------------	----

## L

Labels, Safety & Information . . . . .	24-25
Leather Care . . . . .	134

## M

Maintenance Record . . . . .	156-158
Maintenance Requirements . . . . .	70
Maintenance Schedule . . . . .	72-74
Maintenance Table . . . . .	72-74
Maintenance, Initial . . . . .	70
Maintenance, Periodic . . . . .	71
Maintenance, Safety . . . . .	23
Modifications . . . . .	19
Motorcycle Covers . . . . .	138
Motorcycle Safety Foundation . . . . .	8

## N

Noise Control System Tampering . . . . .	140
Noise Emission Warranty . . . . .	140
Notice Definition . . . . .	7

## O

Odometer . . . . .	35
Oil and Filter Change . . . . .	75-76
Oil Level . . . . .	47
Overdrive Indicator Lamp . . . . .	35

## P

Painted Finish, Polishing . . . . .	131-132
Parking on a Slope . . . . .	69
Parking on a Soft Surface . . . . .	69
Parking the Motorcycle . . . . .	19, 69
Passenger . . . . .	14
Polished Aluminum Care . . . . .	130
<b>Polishing</b>	
Leather, Rubber and Vinyl . . . . .	134
Paint and Chrome . . . . .	131-132
Polished Aluminum . . . . .	130
Premium Long-Lasting Protection . . . . .	133
Polishing the Motorcycle . . . . .	130-133
Preload Adjustment, Rear Shock . . . . .	90-91
Preload Inspection, Rear Shock . . . . .	88-89
Priming the Fuel System . . . . .	61
Protectant, Leather, Rubber and Vinyl . . . . .	134
Protective Equipment . . . . .	15
Pure VICTORY Products . . . . .	125

# Index

- R**
- Rear Axle Inspection . . . . . 92
  - Rear Brake Pedal . . . . . 42, 51-52
  - Refueling . . . . . 61
  - Ride Height Adjustment . . . . . 90-91
  - Ride Height Inspection . . . . . 88-89
  - Riding Apparel . . . . . 15
  - Riding Practices . . . . . 8-15
  - Riding with a Passenger . . . . . 14
  - Road Testing . . . . . 71
  - Rubber Care . . . . . 134
  - Running out of Fuel . . . . . 61
- S**
- Saddlebags . . . . . 18
  - Safe Riding Apparel . . . . . 15
  - Safe Riding Practices . . . . . 8-15
  - Safety Defects, Reporting . . . . . 26
  - Safety Labels . . . . . 24-25
  - Safety Maintenance . . . . . 23
  - Safety Terms . . . . . 7
- S**
- Seat Installation . . . . . 115
  - Seat Removal . . . . . 115
  - Service Manual Availability . . . . . 154
  - Shift Pedal Adjustment . . . . . 109
  - Shift Point Recommendations . . . . . 66
  - Shifting Gears . . . . . 64-66
  - Shock**
    - Ride Height Adjustment . . . . . 90-91
    - Ride Height Inspection . . . . . 88-89
    - Spring Preload Adjustment . . . . . 90-91
    - Spring Preload Inspection . . . . . 88-89
  - Side Cover Removal & Installation . . . . . 44
  - Side View Components, Left . . . . . 28
  - Side View Components, Right . . . . . 29
  - Sidestand . . . . . 44
  - Sidestand Inspection . . . . . 58
  - Sidestand Lubrication . . . . . 123
  - Signal Words . . . . . 7
  - Spark Plug Inspection . . . . . 112-113
  - Spark Plug Recommendations . . . . . 112
- S**
- Spark Plugs . . . . . 112-113
  - Specifications . . . . . 150-154**
    - Engine Oil . . . . . 154
    - Fuel . . . . . 154
  - Speedometer . . . . . 34
  - Spring Preload Adjustment . . . . . 90-91
  - Spring Preload Inspection . . . . . 88-89
  - Stabilizer, Fuel . . . . . 136
  - Starting the Engine . . . . . 62-63
  - Steering Inspection . . . . . 57, 94
  - Stopping the Engine . . . . . 68
  - Storage**
    - Area Preparation . . . . . 135
    - Battery Care . . . . . 137
    - Clean and Protect . . . . . 136
    - Engine Protection . . . . . 136
    - Fuel Stabilizer . . . . . 136
    - Motorcycle Covers . . . . . 138
    - Removal From . . . . . 139
    - Rodent Protection . . . . . 138
    - Tire Inflation . . . . . 137



# Index

## S

Suspension Inspection, Front . . . . .	57
Suspension Inspection, Rear . . . . .	57, 89
Suspension Maintenance, Front . . . . .	93-94
Suspension Maintenance, Rear . . . . .	88-92
Swing Arm Inspection . . . . .	92

### Switches

Emergency Flasher Switch . . . . .	38
Engine Stop/Run Switch . . . . .	40
High Beam/Low Beam Switch . . . . .	38
Horn Button . . . . .	38
Ignition Switch . . . . .	32-33
Starter Button . . . . .	40

## T

Tachometer . . . . .	34
Throttle Cable Lubrication . . . . .	99
Throttle Control Grip . . . . .	41
Throttle Freeplay . . . . .	54

## T

Throttle Freeplay Adjustment . . . . .	98-99
Throttle Inspection . . . . .	54
Throttle Operation . . . . .	67
Throttle System . . . . .	99
Throttle System Maintenance . . . . .	98
Tilt Sensor . . . . .	63
Tire Condition . . . . .	49
Tire Pressure . . . . .	49
Tire Tread Depth . . . . .	49

### Tires

Tire Condition . . . . .	111
Tire Pressure . . . . .	110
Tire Tread Depth . . . . .	111
Tool, Universal . . . . .	124
Transporting the Motorcycle . . . . .	20
Trip Odometer . . . . .	35
Turn Signal Switch . . . . .	39

## V

Vehicle Identification Number . . . . .	30, 155
VIN . . . . .	30
VIN Record . . . . .	155
Vinyl Care . . . . .	134

## W

Warning Definition . . . . .	7
Warranty Policy . . . . .	147-149
<b>Washing</b>	
Before Washing . . . . .	126
Quick Clean-Ups . . . . .	129
Spray-Rinse-and-Ride Wash . . . . .	128
Standard "Bucket Wash" . . . . .	127
Washing the Motorcycle . . . . .	126-128
Wheel Alignment, Rear . . . . .	85-87
Wheel Inspection . . . . .	109



LA NOUVELLE MOTOCYCLETTE AMÉRICAINNE

2010

VEGAS JACKPOT®

NESS SIGNATURE SERIES VEGAS JACKPOT®

N° de pièce 9922440

IMPRIMÉ AUX ÉTATS-UNIS

**Avertissement de la proposition 65**  
**de l'Etat de la Californie**

Ce produit contient ou émet des produits chimiques reconnus par l'Etat de la Californie comme pouvant causer le cancer ou des malformations à la naissance ou de nuire au système reproducteur.



Le texte est imprimé sur du papier recyclé à 100 % contenant 40 % de déchets après consommation.



**Manuel d'utilisation 2010**  
**Vegas Jackpot®**  
**Ness Signature Series Vegas Jackpot®**

Copyright© 2009, Polaris Sales Inc.

Toutes les informations dans ce document proviennent des plus récentes données sur les produits au moment de sa publication. En raison des améliorations constantes apportées à la conception et à la qualité des composants de production, il peut y avoir certaines divergences mineures entre le véhicule réel et les informations présentées dans ce document. Les représentations et/ou procédures contenues dans cette publication n'ont qu'une valeur indicative. Nous ne pouvons accepter de responsabilité en cas d'omission ou d'inexactitude. Polaris Industries se réserve le droit d'apporter des modifications en tout temps, sans préavis et sans obligation d'apporter des modifications similaires ou identiques aux véhicules fabriqués antérieurement. Toute réimpression, réutilisation ou redistribution des informations contenues dans ce document est expressément interdite.

Les caractéristiques des motocyclettes VICTORY sont protégées par les brevets américains : 6,976,691; 6,407,663; D489670; D482311; D482304; D481980; D481973; D474142. Reportez-vous aussi à l'autocollant de brevet sur la motocyclette.

POLARIS, L'ÉVASION PLEIN AIR POLARIS, FREEDOM, VEGAS, VEGAS JACKPOT, VICTORY et MOTOCYCLETTES VICTORY sont des marques déposées de Polaris Industries Inc. DUNLOP est une marque déposée de Dunlop Tire Corporation.

Imprimé aux États-Unis

N° de pièce 9922440

## Table des matières

Introduction . . . . .	5	Entretien . . . . .	70
Sécurité . . . . .	6	Nettoyage . . . . .	125
Comment rapporter les défauts touchant à la sécurité . . . . .	26	Entreposage . . . . .	135
Identification des composants . . . . .	27	Garantie . . . . .	140
Instruments, caractéristiques et commandes . . . . .	32	Spécifications . . . . .	150
Inspections avant la conduite . . . . .	45	Numéros d'identification . . . . .	155
Fonctionnement . . . . .	59	Registre d'entretien . . . . .	156
		Index . . . . .	159



# Introduction

Merci d'avoir choisi une motocyclette VICTORY et bienvenue au sein de notre famille mondiale de propriétaires de produits Polaris. Chez Polaris, notre passion est de produire une gamme captivante de véhicules utilitaires et récréatifs pour nos clients :

- Motoneiges
- Véhicules tout-terrain (VTT)
- Véhicules utilitaires *RANGER*
- Motocyclettes VICTORY

Le respect des instructions et des recommandations contenues dans ce manuel d'utilisation vous permettra de profiter de votre véhicule en toute sécurité. Si votre Manuel d'utilisation est égaré ou endommagé, veuillez acheter une copie de rechange de votre concessionnaire VICTORY. Ce manuel fait partie de la motocyclette et devrait rester avec la motocyclette quand il y a changement de propriétaire.

Dans ce manuel, toute mention de DROIT(E), GAUCHE, AVANT ou ARRIÈRE se réfère au point de vue du conducteur assis en position normale de conduite. Pour toute question sur le fonctionnement ou l'entretien de la motocyclette après la lecture de ce manuel, veuillez consulter votre concessionnaire VICTORY. Pour localiser le concessionnaire agréé VICTORY le plus proche, composez le 1-800-POLARIS ou visitez le site [www.polarisindustries.com](http://www.polarisindustries.com).

Les motocyclettes VICTORY sont conformes à tous les règlements fédéraux, provinciaux et locaux en matière d'émissions et de sécurité dans la région où elles sont vendues.



# Sécurité

## À propos du Manuel d'utilisation

### **⚠ AVERTISSEMENT**

Le non-respect des mesures de sécurité et des procédures recommandées peut provoquer des blessures graves ou la mort. Tenez toujours compte des mesures de sécurité et suivez toutes les procédures de fonctionnement, d'inspection et d'entretien indiquées dans ce manuel.

Veillez lire votre Manuel d'utilisation VICTORY. Ce manuel renferme des renseignements essentiels à la conduite sécuritaire et à l'entretien approprié de la motocyclette. Quiconque monte à bord de la motocyclette (les conducteurs et les passagers) doit lire le Manuel d'utilisation avant de prendre la route.

Lisez et prenez connaissance de l'information qui se trouve dans la section sur la sécurité et apportez le manuel lorsque vous utilisez le véhicule. Le respect des mesures de sécurité et des procédures rendra votre conduite plus agréable et plus sécuritaire.

Veillez comprendre et suivre toutes les procédures d'inspection et d'entretien indiquées dans ce manuel. Le respect de ces procédures garantira le fonctionnement sécuritaire de votre motocyclette en tout temps.

## Termes de sécurité et mots de signalisation

Les mots et les symboles de signalisation ci-dessous apparaissent dans l'ensemble de ce manuel et sur le véhicule. Quand ces mots et symboles sont utilisés, votre sécurité et celle des autres est en jeu. Familiarisez-vous avec leur signification avant de lire le manuel.



Le symbole d'alerte de sécurité indique un risque de blessures personnelles.

### **AVERTISSEMENT**

Un AVERTISSEMENT indique une situation dangereuse qui doit être évitée, sinon cela pourrait occasionner la mort ou des blessures graves.

### **ATTENTION**

Une mention d'ATTENTION indique une situation dangereuse qui doit être évitée, sinon cela pourrait conduire à des blessures légères ou modérées.

### **AVIS**

Un AVIS indique une situation pouvant entraîner des dommages matériels.

# Sécurité

## Pratiques de conduite sécuritaire

### **⚠ AVERTISSEMENT**

Un mauvais usage de cette motocyclette peut occasionner des blessures graves ou la mort pour vous, votre passager et les autres. Pour réduire les risques de blessures, veuillez lire et comprendre les renseignements donnés dans la présente section avant de conduire la motocyclette. Cette section renferme des renseignements de sécurité qui sont propres à la motocyclette VICTORY, ainsi que de l'information sur la sécurité en général en motocyclette. Quiconque monte à bord de la motocyclette (les conducteurs et les passagers) doit suivre ces mesures de sécurité.

Le motocyclisme comporte des risques inhérents. Vous pouvez réduire ces risques au minimum, mais vous ne pourrez jamais les éliminer complètement. Même si vous êtes un conducteur expérimenté ou simplement un passager, veuillez lire toutes les informations dans la présente section de sécurité avant de faire fonctionner la motocyclette.

- Votre aptitude à conduire la motocyclette en toute sécurité repose sur votre jugement et sur l'acquisition d'habitudes sécuritaires de conduite. Suivez un cours de conduite donné par la Motorcycle Safety Foundation ou par un formateur qualifié. Ce cours de formation vous permettra d'acquérir ou de perfectionner vos aptitudes en matière de conduite sécuritaire. Pour de plus amples renseignements sur les cours de conduite donnés par la Motorcycle Safety Foundation dans votre région, composez le 1-800-446-9227 ou consultez leur site Web à l'adresse [www.msf-usa.org](http://www.msf-usa.org).
- Lisez et comprenez toute l'information contenue dans ce manuel d'utilisation. Il renferme des renseignements de sécurité qui concernent spécifiquement les composants et modes de fonctionnement de la motocyclette.
- Portez une attention particulière aux exigences d'entretien données dans le présent manuel. Pour de plus amples renseignements ou pour de l'aide concernant les services techniques indiqués dans le manuel ou exigés par des circonstances d'ordre mécanique, consultez le *Manuel d'entretien VICTORY* ou votre concessionnaire agréé VICTORY.

## Pratiques de conduite sécuritaire

Les caractéristiques conceptuelles ont une incidence sur la façon dont vous devez conduire la motocyclette VICTORY.

- La motocyclette est conçue pour circuler sur la voie publique et pour transporter un conducteur et un passager. Consultez la page 14.
- Veuillez respecter le poids nominal brut du véhicule (PNBV) (consultez la section Spécifications à partir de la page 150 ou l'étiquette de certification apposée sur la tête de direction). Le fait de circuler en dehors de la voie publique, de transporter plus d'un passager ou de dépasser le poids nominal brut pourrait affecter la maniabilité de la motocyclette, ce qui pourrait entraîner une perte de contrôle.
- Certaines motocyclettes VICTORY sont équipées en série de sacoches de selle, d'un pare-brise et d'un dossier pour le passager. Pour maintenir la stabilité, réduisez la vitesse de conduite des motocyclettes équipées de ces articles.

# Sécurité

## Pratiques de conduite sécuritaire

Veillez suivre ces pratiques générales de conduite sécuritaire :

- Avant chaque conduite, effectuez les inspections avant la conduite. Consultez la page 45. Le non-respect de ces instructions pourrait entraîner des dommages à la motocyclette ou un accident.
- Suivez toutes les procédures de rodage pendant les premiers 800 km (500 mi) de fonctionnement. Consultez la page 59. Le non-respect de ces instructions peut entraîner de graves dommages au moteur.
- Tant que vous ne serez pas tout à fait familiarisé avec la motocyclette et toutes ses commandes, conduisez-la sur des voies publiques où il n'y a que peu ou pas de circulation. Entraînez-vous à conduire à une vitesse modérée sur différentes surfaces pavées et dans différentes conditions climatiques.
- Connaissez vos habiletés et vos limites, et adaptez votre conduite en conséquence.
- Seul un conducteur d'expérience, titulaire d'un permis de conduire, devrait conduire votre motocyclette, et seulement après s'être familiarisé avec ses commandes et son fonctionnement. Assurez-vous que tous les conducteurs lisent et comprennent ce Manuel d'utilisation avant la conduite du véhicule.
- Ne conduisez pas lorsque vous êtes fatigué ou sous l'influence de l'alcool, d'un médicament obtenu sur ordonnance ou en vente libre, ou de toute autre drogue.
- Si votre motocyclette ne fonctionne pas normalement, corrigez le problème immédiatement. Consultez le *Manuel d'entretien VICTORY* ou votre concessionnaire agréé VICTORY. Une utilisation continue peut aggraver le problème initial, augmenter les coûts de réparation et mettre votre sécurité en péril.

## Pratiques de conduite sécuritaire

- Adoptez une conduite préventive, comme si vous étiez invisible pour les autres usagers de la route, même en plein jour. *L'incapacité d'un automobiliste à voir ou reconnaître une motocyclette constitue la principale cause d'accidents impliquant une automobile et une motocyclette.* Conduisez de manière à être clairement visible pour les autres automobilistes et motocyclistes, et surveillez leur comportement attentivement.
- Soyez particulièrement prudent aux intersections, car c'est là où les risques d'accident sont les plus grands.
- Pour éviter de perdre le contrôle, gardez les mains sur le guidon et les pieds sur les repose-pieds.
- Ne déplacez pas et ne conduisez pas la motocyclette si la direction est verrouillée (avec l'accessoire de verrouillage), car la direction très limitée pourrait entraîner une perte de contrôle.
- Respectez les limites de vitesse et adaptez votre vitesse et votre conduite en fonction de l'état de la chaussée, des conditions climatiques et de la circulation. Plus vous circulez rapidement, plus l'influence de toutes les autres conditions augmente, ce qui peut affecter la stabilité de la motocyclette et accroître les risques de perte de contrôle.
- Réduisez la vitesse lorsque :
  - *La chaussée comporte des nids de poule, des aspérités ou des inégalités.*
  - *Il y a du sable, de la terre, du gravier ou autres éléments libres sur la chaussée.*
  - *La chaussée est mouillée, glacée ou huileuse.*
  - *Il y a des surfaces peintes, des plaques d'égout, des grilles métalliques, des passages à niveau ou autres surfaces glissantes sur la chaussée.*

# Sécurité

## Pratiques de conduite sécuritaire

- Réduisez la vitesse lorsque :
  - *Le temps est venteux ou pluvieux, ou que les conditions climatiques changent rapidement ou rendent la chaussée glissante.*
  - *La circulation est dense, congestionnée ou non fluide, ou qu'elle ne laisse pas suffisamment d'espace entre les véhicules.*
  - *Un gros véhicule passe près de vous dans un sens ou dans l'autre en produisant un coup de vent dans son sillage.*
- Pour maximiser l'efficacité du freinage, actionnez simultanément les freins avant et arrière. Un mauvais freinage peut entraîner une perte de contrôle ou ne pas ralentir le véhicule à temps pour éviter une collision. Tenez compte des pratiques et des points importants suivants concernant le freinage :
  - *Le frein arrière fournit au maximum 40 % de la puissance de freinage de la motocyclette. Actionnez simultanément les freins avant et arrière.*
  - *Pour éviter de dérapier, appliquez les freins progressivement lorsque la route est mouillée ou inégale ou contient des substances meubles ou glissantes.*
  - *Si possible, évitez d'appliquer les freins pendant un virage. Les pneus de motocyclette ont moins de traction dans les virages et, par conséquent, le freinage augmentera le risque de dérapage. Placez la motocyclette en position verticale avant d'appliquer les freins.*

## Pratiques de conduite sécuritaire

- Lorsque vous approchez une courbe, adoptez une vitesse et un angle d'inclinaison qui vous permettront de négocier la courbe dans votre voie sans que vous ayez à appliquer les freins. Une vitesse excessive, un angle d'inclinaison trop prononcé ou l'application des freins dans une courbe pourrait vous faire perdre le contrôle.
- La garde au sol diminue lorsque la motocyclette penche. Lorsque vous inclinez la motocyclette dans une courbe, évitez que des pièces de la moto entrent en contact avec la chaussée, car vous pourriez ainsi perdre le contrôle.
- Avant de partir en randonnée, repliez complètement la béquille latérale. Si la béquille n'est pas complètement repliée, elle peut toucher la chaussée et entraîner une perte de contrôle.
- Ne tirez pas une remorque. Tirer une remorque peut diminuer la maniabilité de la motocyclette et entraîner une perte de contrôle.



# Sécurité

## Pratiques de conduite sécuritaire

### Transport d'un passager

*Ne transportez pas de passager* à moins que la motocyclette ne soit équipée d'une selle pour passager et de repose-pieds pour passager.

#### **Pour transporter un passager en toute sécurité :**

- Ne dépassez pas le classement de poids nominal brut du véhicule (PNBV) de votre motocyclette.
- Demandez au passager de se tenir après vous ou après la courroie de la selle à l'aide de ses mains et de garder les pieds sur les repose-pieds pour passager. Ne transportez pas un passager qui ne peut placer fermement ses pieds sur les repose-pieds pour passager. Un passager qui ne peut se retenir correctement ou qui ne peut placer ses pieds sur les repose-pieds pour passager peut déplacer son corps de façon erratique, ce qui peut rendre la motocyclette difficile à manier et pourrait entraîner une perte de contrôle.
- Au besoin, réglez la précharge de l'amortisseur arrière. Consultez la page 90. Un réglage incorrect de la précharge peut rendre votre motocyclette difficile à manier et peut causer la perte de contrôle.
- Avant de partir en randonnée, assurez-vous que votre passager connaît les procédures sécuritaires de randonnée. Discutez des mesures de sécurité avec lesquelles votre passager est peu familier. Un passager ne connaissant pas les procédures de sécurité peut vous distraire ou faire des mouvements rendant la motocyclette difficile à manier.
- Adaptez votre style de conduite de manière à compenser les différences occasionnées par le poids supplémentaire du passager en ce qui concerne la maniabilité, l'accélération et le freinage. Ne pas le faire peut entraîner une perte de contrôle.

## Pratiques de conduite sécuritaire

### Vêtements de protection

Portez des vêtements de protection pour réduire les risques de blessures et accroître votre confort pendant la conduite.

- Portez toujours un casque qui atteint ou dépasse les normes de sécurité établies. Les casques homologués aux États-Unis et au Canada portent une étiquette du département des Transports américain (D.O.T.). Dans certaines régions, les lois *exigent* que vous portiez un casque homologué. Les blessures à la tête sont la principale cause de décès lors d'accidents impliquant des motocyclettes. Les statistiques révèlent qu'un casque homologué est le moyen le plus efficace pour prévenir ou réduire les blessures à la tête.
- Portez une protection oculaire pour protéger les yeux du vent ou des particules et objets en suspension dans l'air. Dans certaines régions, les lois *exigent* que vous portiez une protection oculaire. VICTORY vous recommande de porter l'équipement de protection individuelle approuvé des marquages comme VESC 8, V-8, Z87.1 ou CE. Assurez-vous que la protection oculaire est toujours propre.
- Tous les motocyclistes doivent porter des vêtements réfléchissants et/ou de couleurs vives ou pâles afin que les autres usagers de la route puissent mieux les voir. *L'incapacité d'un automobiliste à voir ou reconnaître une motocyclette constitue la principale cause d'accidents impliquant une automobile et une motocyclette.*
- Portez des gants, un blouson, des bottes robustes et un pantalon long pour éviter ou réduire les blessures provenant d'écorchures, de lacérations ou de brûlures en cas de chute. Portez des bottes à talons bas, car les talons hauts peuvent rester coincés sur les pédales ou les repose-pieds. Les bottes et le pantalon doivent protéger complètement les jambes, les chevilles et les pieds contre la chaleur produite par le moteur et le système d'échappement.
- Ne portez pas de vêtements amples qui flottent au vent ou des bottes munies de longs lacets, car ils peuvent s'enrouler autour des guidons, des leviers ou des repose-pieds, ou se coincer dans les roues, ce qui peut causer une perte de contrôle et des blessures graves.

# Sécurité

## Poids nominal brut du véhicule (PNBV)

**AVERTISSEMENT !** Le fait de dépasser le poids nominal brut du véhicule de votre motocyclette peut en réduire la stabilité et la maniabilité et entraîner une perte de contrôle. Ne dépassez JAMAIS le PNBV de votre motocyclette.

La *charge maximale* de votre motocyclette correspond au poids maximal que vous pouvez ajouter à votre motocyclette *sans excéder le PNBV*. Cette charge est déterminée en calculant la différence entre le PNBV et le poids humide de votre motocyclette.

Référez-vous à la section des spécifications dans ce manuel ou à l'étiquette du fabricant/VIN sur le châssis de la motocyclette pour obtenir l'information spécifique du modèle. Référez-vous à la section « Étiquettes de sécurité et d'information » dans ce manuel pour connaître l'emplacement sur la motocyclette.

Lorsque vous déterminerez le poids que vous ajouterez à votre motocyclette et pour vous assurer de ne pas dépasser la charge maximale, vous devez inclure ce qui suit :

- poids du conducteur;
- poids du passager;
- poids des vêtements et des articles sur les vêtements et à l'intérieur des vêtements de tous les motocyclistes;
- poids de tous les accessoires *et de leur contenu*;
- poids de toute charge supplémentaire sur la motocyclette.

## Transport de charges

Lorsque vous installez des bagages ou des accessoires sur la motocyclette, veuillez observer les lignes directrices qui suivent. Le cas échéant, ces lignes directrices s'appliquent aussi au contenu des accessoires.

- Gardez le poids des accessoires et des bagages le plus bas possible, et maintenez-les le plus près possible de la motocyclette afin de réduire au minimum le déplacement du centre de gravité de la motocyclette. Le déplacement du centre de gravité peut causer une perte de stabilité et de maniabilité et entraîner une perte de contrôle.
- Répartissez le poids également des deux côtés de la motocyclette. Répartissez uniformément le poids en vérifiant les accessoires et les bagages pour vous assurer qu'ils sont solidement fixés à la motocyclette avant de partir en randonnée ou lorsque vous faites une pause de la randonnée. Une répartition inégale du poids ou le déplacement soudain de la charge ou des accessoires pendant que vous conduisez peut rendre la motocyclette difficile à manier et causer la perte de contrôle.
- Ne fixez pas de charge lourde ou encombrante, comme un sac de couchage, un sac de voyage ou une tente, sur le guidon, la fourche télescopique ou l'aile avant. La charge ou les accessoires placés à ces endroits peuvent déstabiliser la motocyclette (en raison de la répartition inégale du poids ou des changements qu'ils provoquent dans l'aérodynamisme) et peuvent vous faire perdre le contrôle. Ces articles peuvent également bloquer la circulation de l'air au moteur et entraîner une surchauffe, ce qui peut endommager le moteur.
- Ne dépassez pas la limite maximale de poids pour aucun accessoire (consultez les directives et les étiquettes concernant les accessoires). N'attachez aucune charge à un accessoire qui n'est pas conçu dans ce but. Ces situations peuvent mener à une défaillance de l'accessoire et causer une perte de contrôle.
- N'attachez rien à la barre d'appui pour autoroute, sauf les repose-pieds pour autoroute.

# Sécurité

## Transport de charges

### Sacoches de selle

Lors de la conduite d'une motocyclette avec des sacoches de selle :

- Ne dépassez jamais 120 km/h (80 mi/h). Selon la charge et les conditions météorologiques, la vitesse maximum sécuritaire peut être inférieure. Les sacoches de selle combinées aux effets de soulèvement et de tremblement du vent peuvent rendre la motocyclette instable et entraîner une perte de contrôle.
- Répartissez uniformément le poids dans chaque sacoche de selle.
- Ne dépassez pas la capacité de rangement maximale des sacoches de selle.
- Ne dépassez pas le classement PNBV de votre motocyclette.

## Stationnement de la motocyclette

Lorsque vous laissez votre motocyclette sans surveillance, éteignez le moteur et retirez la clé de contact. Consultez la page 69.

Stationnez votre motocyclette à un endroit où les gens ne risquent pas de toucher au moteur brûlant ou au système d'échappement ou de placer des matériaux combustibles à proximité de ces pièces chaudes. Ne stationnez pas la motocyclette à proximité d'une source d'inflammation, comme un radiateur au kérosène ou une flamme nue, où les pièces chaudes peuvent causer l'ignition des matériaux combustibles.

Stationnez la motocyclette sur une surface ferme et de niveau. Les surfaces en pente ou meubles peuvent ne pas soutenir la motocyclette. En cas de stationnement sur une pente ou sur une surface meuble, suivez les mesures de précaution de la page 69.

## Modifications

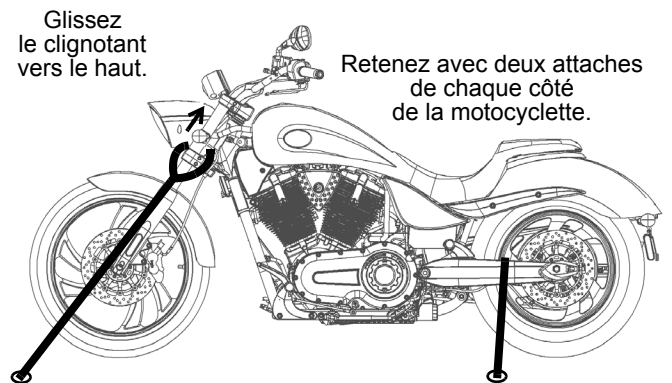
Toute modification apportée à la motocyclette en enlevant une pièce d'équipement ou en y ajoutant une pièce non approuvée par VICTORY pourrait avoir pour effet d'annuler votre garantie. De telles modifications peuvent rendre la motocyclette non sécuritaire et entraîner des blessures graves au conducteur ou au passager ou même endommager la motocyclette. Certaines modifications peuvent être illégales dans votre région. Dans le doute, communiquez avec votre concessionnaire agréé VICTORY.

# Sécurité

## Transport de la motocyclette

Lorsque vous transportez la motocyclette :

- Utilisez une camionnette ou une remorque. Ne remorquez pas la motocyclette derrière un autre véhicule, puisqu'un tel remorquage affectera la direction et la maniabilité de la motocyclette.
- Retenez la motocyclette en position verticale. Si la motocyclette est inclinée, le carburant peut s'échapper du réservoir et causer un risque d'incendie ou des dommages au fini.
- Mettez la boîte de vitesses au point mort.
- *N'installez pas de dispositifs de retenue sur le guidon.* Desserrez les supports des clignotants avant et glissez-les vers le haut. Placez les sangles de fixation autour des tubes de la fourche, au-dessus de la bride inférieure triple. Fixez l'arrière de la motocyclette en faisant passer des sangles autour des deux côtés du bras oscillant; faites attention de ne pas toucher la conduite de frein, l'échappement et la courroie d'entraînement.
- Repositionnez les clignotants avant de conduire la motocyclette.



## Sélection et installation des accessoires

Étant donné que VICTORY n'est pas en mesure d'évaluer tous les accessoires ou combinaisons d'accessoires vendus et de formuler des recommandations spécifiques à leur sujet, le conducteur doit déterminer s'il peut conduire la motocyclette de façon sécuritaire avec les accessoires installés ou le poids supplémentaire. Lorsque vous choisissez et installez des accessoires, observez les lignes directrices qui suivent :

- N'installez pas d'accessoires qui peuvent nuire à la stabilité, la maniabilité ou la conduite de la motocyclette. Avant de l'installer, assurez-vous que l'accessoire :
  - *Ne réduit pas la garde au sol lorsque la motocyclette est à la position verticale ou inclinée.*
  - *N'entrave pas la course de la suspension ou de la direction, ou ne vous empêche pas d'actionner les commandes de la motocyclette.*
  - *Ne vous empêche pas d'adopter votre position normale de conduite.*
  - *N'obstrue pas les phares ou réflecteurs.*
- N'installez pas des accessoires encombrants ou de grandes dimensions qui peuvent rendre la motocyclette instable (en raison des effets de soulèvement et de tremblement du vent) et entraîner une perte de contrôle.
- N'installez pas d'accessoires électriques qui dépassent la capacité du système électrique. N'installez jamais d'ampoules dont la puissance en watts est supérieure à celui des ampoules d'origine. Cela pourrait entraîner une défaillance électrique, une dangereuse perte de puissance motrice, un affaiblissement des phares ou des dommages au système électrique.
- Installez toujours des accessoires conçus et approuvés spécifiquement pour votre modèle par VICTORY, surtout le pare-brise, le dossier et le porte-bagages. Un pare-brise, un dossier ou un porte-bagages mal conçu ou mal installé peut déstabiliser la motocyclette et pourrait entraîner une perte de contrôle. Suivez les directives d'installation et d'utilisation.



# Sécurité

## Sécurité concernant le carburant et l'échappement

### **⚠ AVERTISSEMENT**

L'essence est extrêmement inflammable et explose dans certaines conditions.

- Faites toujours preuve de la plus grande prudence lors de la manutention d'essence.
- Arrêtez toujours le moteur avant de faire le plein.
- Faites toujours le plein à l'extérieur ou dans un endroit bien aéré.
- Ouvrez lentement le bouchon de réservoir à carburant. Ne remplissez pas trop le réservoir. Ne remplissez pas le goulot de remplissage.
- Ne fumez pas et ne tolérez pas de flamme nue ou d'étincelles lors de l'approvisionnement ou dans un lieu d'entreposage d'essence.

L'essence et les vapeurs d'essence sont toxiques et peuvent causer des blessures graves.

- N'avalez pas d'essence, n'inhalez pas de vapeurs d'essence et ne renversez pas d'essence. Si vous avalez de l'essence, ou inhalez plus que quelques inspirations de vapeurs d'essence ou recevez de l'essence dans les yeux, consultez immédiatement un médecin.
- Si de l'essence entre en contact avec votre peau ou vos vêtements, lavez immédiatement à l'eau et au savon, puis changez de vêtements.
- Si de l'essence entre en contact avec un composant de la motocyclette, rincez-le immédiatement avec de l'eau.

Les gaz d'échappement contiennent du monoxyde de carbone, un gaz incolore et inodore qui peut entraîner une perte de conscience ou la mort en peu de temps.

- Ne démarrez jamais le moteur et ne le laissez jamais tourner dans un endroit clos.
- N'inhalez jamais de gaz d'échappement.

## Entretien de sécurité

### **⚠ AVERTISSEMENT**

Le non-respect de l'entretien préventif recommandé peut engendrer une maniabilité difficile et une perte de contrôle et provoquer des blessures graves ou la mort. Effectuez toujours les procédures d'entretien préventif recommandées. Effectuez l'entretien et les réparations dès que possible conformément au *manuel d'entretien VICTORY* ou visitez votre concessionnaire agréé VICTORY pour l'entretien.

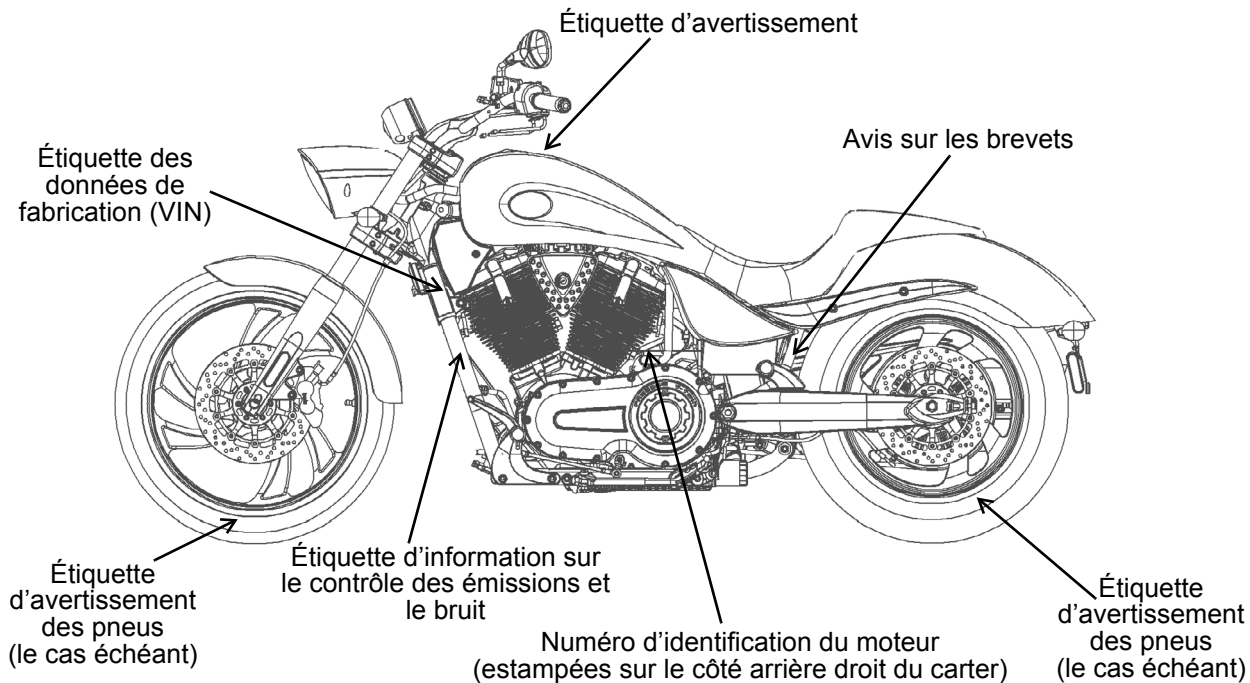
- Avant chaque conduite, effectuez les inspections avant la conduite. Consultez la page 45.
- Effectuez l'entretien aux intervalles spécifiés dans le tableau d'entretien périodique commençant à la page 72.
- Gardez toujours la pression des pneus, l'état de la bande de roulement et l'équilibre des pneus et des roues appropriés. Inspectez régulièrement les pneus et remplacez-les sans délai s'ils sont usés ou endommagés. N'utilisez que des pneus de rechange approuvés.
- Assurez-vous toujours d'un réglage approprié du roulement de la tête de direction. Vérifiez régulièrement s'il y a des fuites de liquide ou des dommages dans l'amortisseur arrière et les fourches avant. Effectuez les réparations nécessaires dans les plus brefs délais.
- Nettoyez la motocyclette à fond pour repérer les composants qui nécessitent une réparation. Consultez la page 125.
- Assurez-vous que tout équipement requis par la loi est installé correctement et est en bon état, y compris la plaque d'immatriculation.
- Les fixations doivent être conformes aux spécifications d'origine concernant la qualité, le fini et le type pour assurer la sécurité. Utilisez seulement des pièces de rechange d'origine VICTORY et assurez-vous que toutes les fixations sont serrées au couple approprié.

## Interférence électromagnétique

Ce véhicule est conforme aux exigences du chapitre 8 de la norme européenne 97/24/EC qui est équivalente à la norme canadienne ICES-002.

# Sécurité

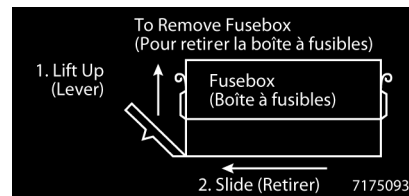
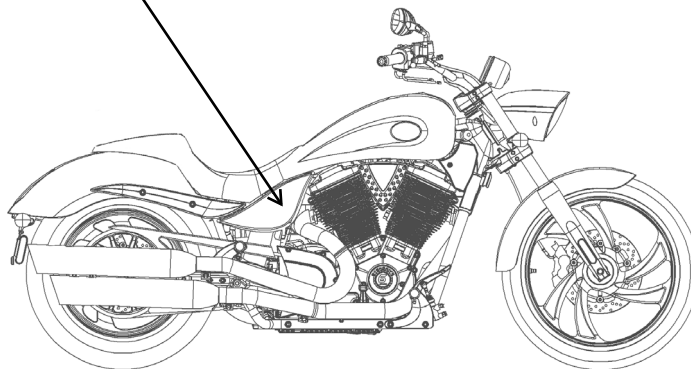
## Étiquettes de sécurité et d'information



## Étiquettes de sécurité et d'information

ACCESSORY RELAY	FUEL PUMP RELAY	ENGINE RELAY	PRIMARY LIGHTS RELAY
SEC. LIGHTS 15A	PRI. LIGHTS 20A	ENGINE 15A	SECONDARY LIGHTS RELAY 7175523
ACCESSORY 15A	IGNITION 15A	FUEL PUMP 10A	

Étiquette des fusibles et du relais  
(sous le capot latéral, sur le côté du couvercle de boîte à fusibles)



Étiquette d'instructions de retrait  
de la boîte à fusibles  
(sur la base de la boîte à fusibles)

## Sécurité

### Rapportant les défauts touchant à la sécurité

Si vous croyez que votre motocyclette présente un défaut qui pourrait causer un accident ou entraîner des blessures graves ou la mort, vous devez immédiatement en informer par écrit la National Highway Traffic Safety Administration (NHTSA), ainsi que Polaris Industries.

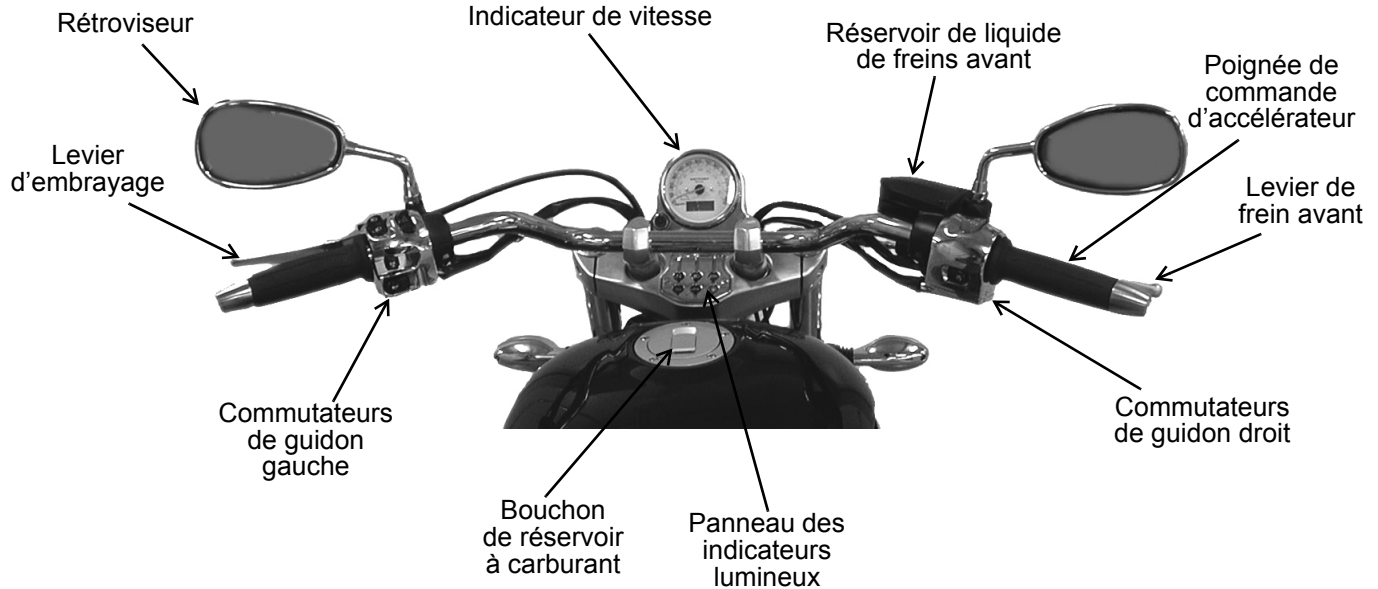
Lorsqu'elle reçoit une telle plainte, la NHTSA peut ouvrir une enquête et si elle constate qu'un groupe de véhicules présente un défaut de sécurité, elle peut ordonner un rappel et l'adoption de mesures correctives. Cependant, la NHTSA ne peut pas intervenir dans des problèmes individuels entre vous, votre concessionnaire ou Polaris Industries.

Pour communiquer avec la NHTSA ou pour obtenir de plus amples renseignements sur la sécurité des véhicules automobiles, vous pouvez appeler sans frais la ligne directe au 1-888-327-4236 (ou TTY au 1-800-424-9153), visiter le site Web de la NHTSA en tapant [www.safercar.gov](http://www.safercar.gov), ou écrire à :

ADMINISTRATOR, NHTSA  
1200 New Jersey Avenue, SE  
West Building  
Washington, DC 20590 É.-U.

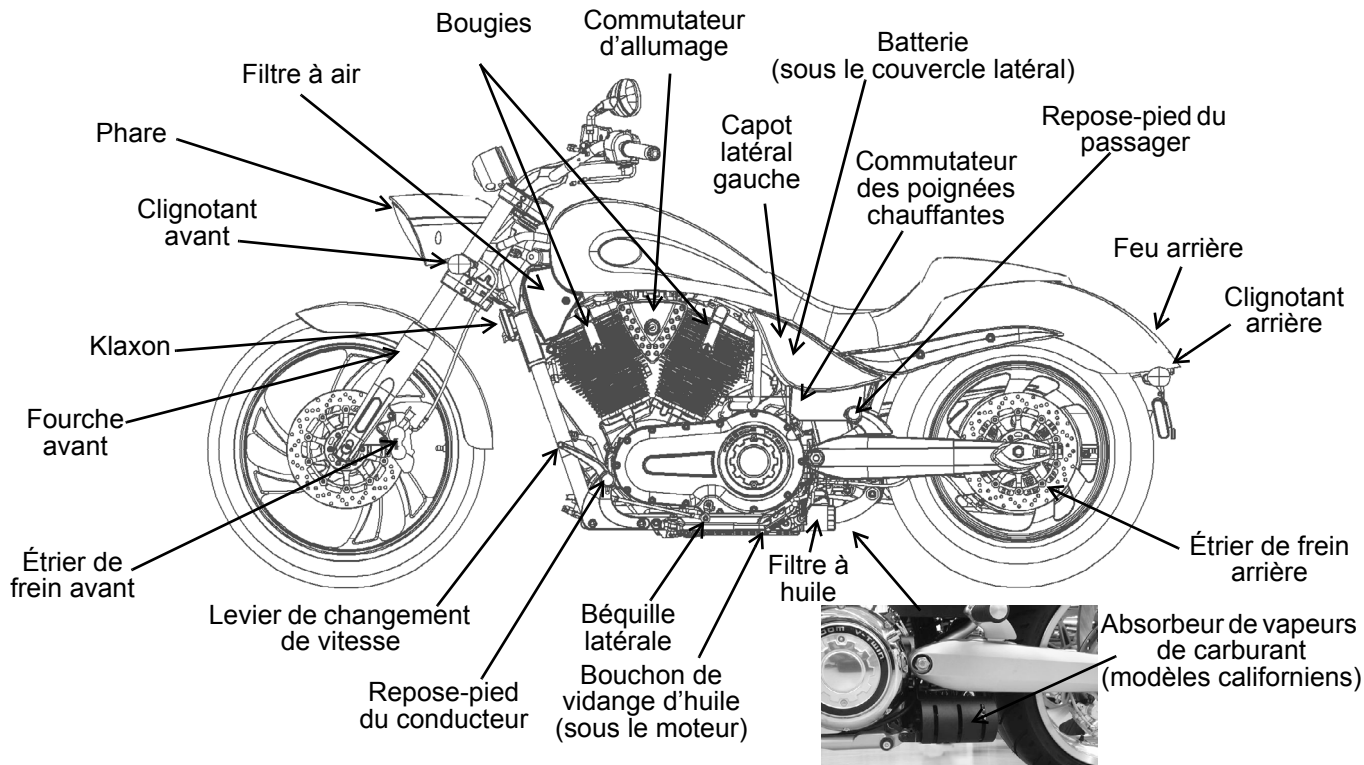
# Identification des composants

## Zone du guidon



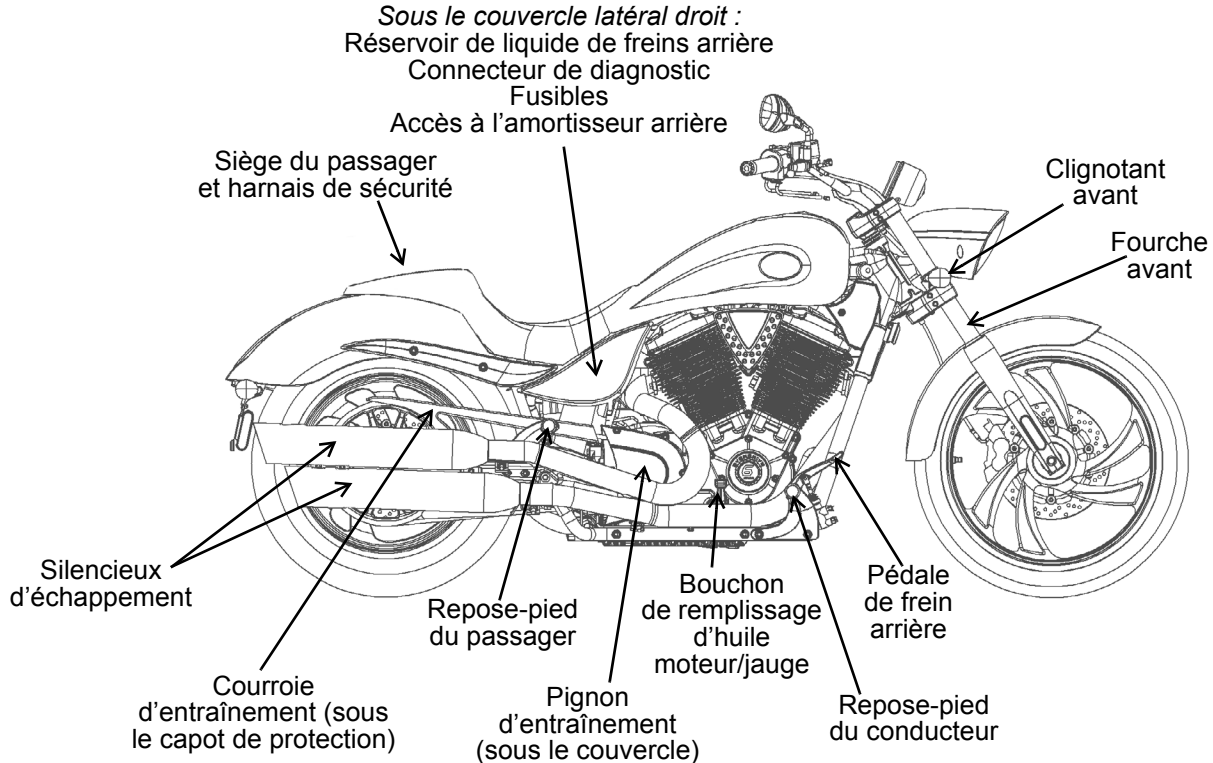
# Identification des composants

## Vue du côté gauche



# Identification des composants

## Vue du côté droit

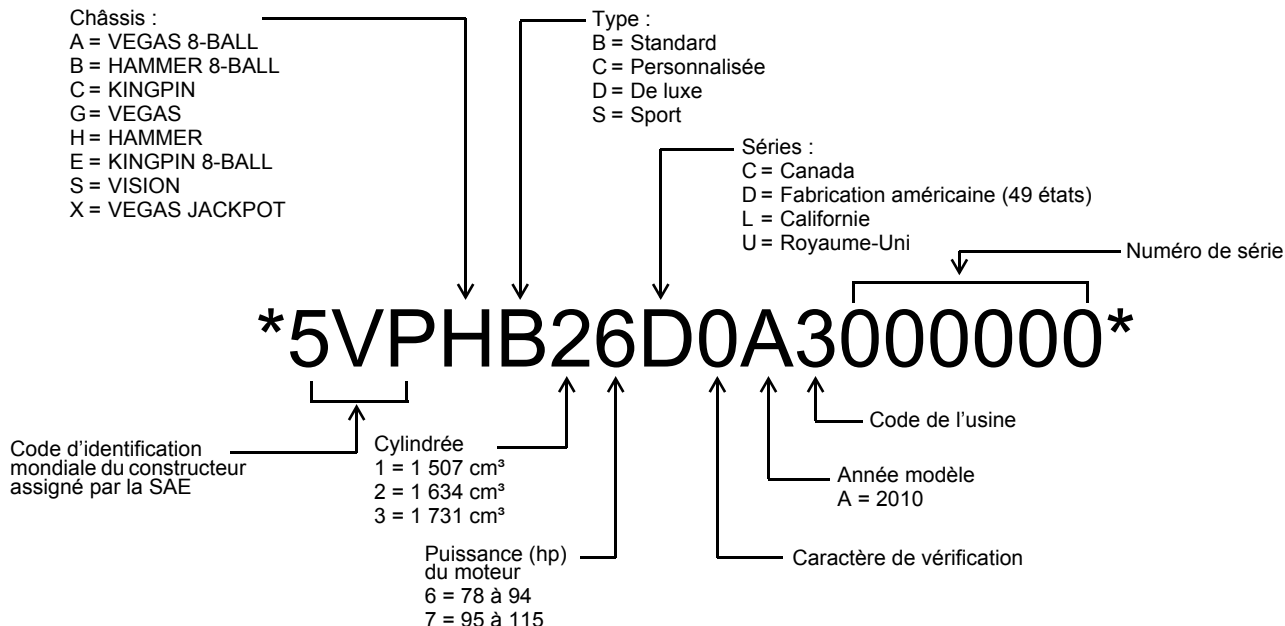




# Identification des composants

## Numéro d'identification du véhicule (VIN)

Le numéro d'identification du véhicule (VIN) est estampé à l'avant de la tête de direction, en plus d'être indiqué sur l'étiquette de certification. Inscrivez le numéro dans l'espace prévu à la page 155. Vous aurez besoin de ce numéro d'identification pour désigner, enregistrer, immatriculer ou assurer la motocyclette ou pour commander des pièces de rechange.



## Identification des composants

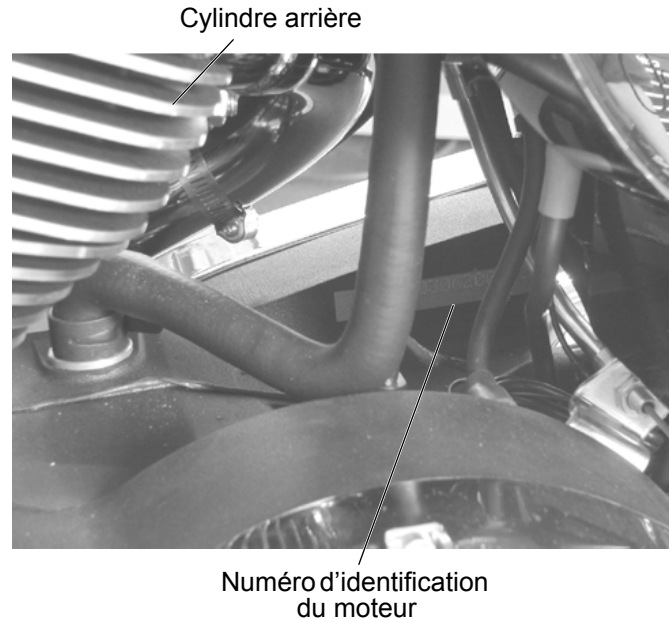
### Numéro d'identification du moteur

Le numéro d'identification du moteur est une combinaison des numéros de modèle et de série du moteur. Les huit premiers chiffres correspondent au numéro de modèle du moteur et les cinq derniers au numéro de série du moteur.

Le numéro d'identification du moteur est estampé sur le côté droit du carter, derrière le cylindre arrière. Inscrivez le numéro dans l'espace prévu à la page 155. Vous aurez besoin de ce numéro d'identification pour désigner, enregistrer, immatriculer ou assurer la motocyclette ou pour commander des pièces de rechange.

### Numéro de la clé de contact

Le numéro d'identification de la clé de contact est estampé sur la tige de chaque clé. Inscrivez le numéro dans l'espace prévu à la page 155. À l'aide du numéro de la clé de contact et d'une preuve de propriété, un concessionnaire agréé VICTORY peut vous aider à obtenir une clé de rechange.



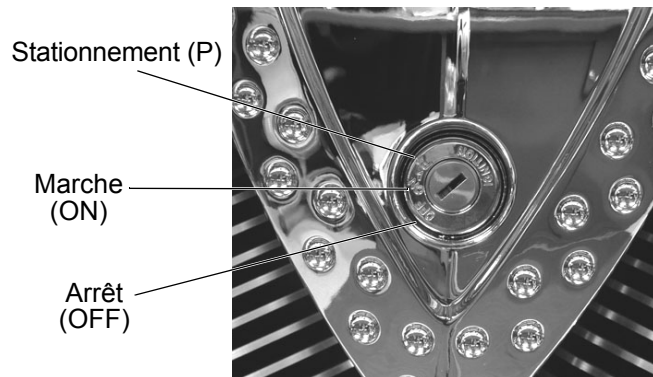
# Instrument, caractéristiques et commandes

## Commutateur d'allumage

La clé de contact permet d'utiliser le commutateur d'allumage et les feux de stationnement. Le commutateur d'allumage assure le courant électrique au système d'allumage, au circuit d'éclairage et à tous les boutons et interrupteurs électriques. Avant de démarrer le moteur, lisez les directives concernant le démarrage du moteur. Consultez la page 62.

### Position arrêt (OFF)

À la position arrêt (OFF), tous les circuits électriques sont hors tension et vous pouvez retirer la clé de contact. Tournez le commutateur d'allumage à la position arrêt (OFF) et retirez la clé de contact lorsque vous laissez la motocyclette sans surveillance.



# Instruments, caractéristiques et commandes

## Commutateur d'allumage

### Position marche (ON)

À la position marche (ON), tous les circuits électriques sont sous tension et vous ne pouvez plus retirer la clé de contact. Le phare, le feu arrière et les lampes des instruments s'allument. Le commutateur arrêt/conduite du moteur doit être à la position de conduite pour démarrer le moteur ou actionner les clignotants d'urgence, les clignotants et autres dispositifs électriques. Consultez la page 40.

### Position stationnement (P)

En position stationnement (P), le feu arrière, les indicateurs lumineux et le feu de plaque d'immatriculation s'allument. Les clignotants d'urgence peuvent être actionnés et la clé de contact peut être enlevée. Vous devez enfoncer la clé de contact dans le commutateur tout en sélectionnant la position stationnement (P).

# Instruments, caractéristiques et commandes

## Groupe d'instruments

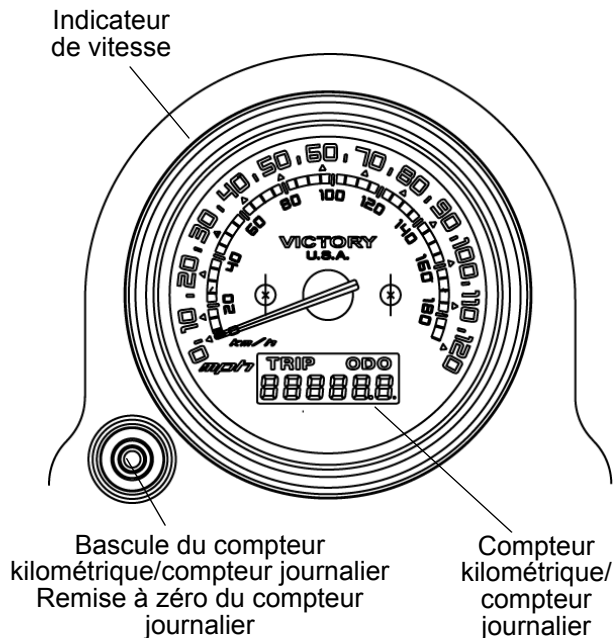
### Indicateur de vitesse

L'indicateur de vitesse affiche la vitesse du véhicule en milles/heure (mi/h) ou en kilomètres/heure (km/h).

### Tachymètre (accessoire)

Le tachymètre affiche le régime du moteur en tours par minute (tr/min). Une ligne rouge sur le cadran désigne le régime maximum sécuritaire du moteur. Le tachymètre comprend aussi le voyant de vitesse surmultipliée.

**AVERTISSEMENT !** Une vitesse de moteur excessive peut causer des dommages ou des défaillances au moteur et mener à une perte de contrôle et à des blessures graves ou à la mort. Ne faites pas fonctionner le moteur à plus de 5 600 tr/min.



# Instruments, caractéristiques et commandes

## Groupe d'instruments

### Compteur kilométrique

Le compteur kilométrique affiche la distance totale parcourue.

### Compteur journalier

Le compteur journalier affiche la distance totale parcourue depuis sa dernière remise à zéro. Pour pouvoir basculer de l'affichage du compteur kilométrique à celui du compteur journalier (TRIP), le commutateur d'allumage doit être à la position marche (ON). Appuyez sur le bouton de remise à zéro. L'affichage passe à « TRIP ».

Pour remettre à zéro le compteur journalier, le commutateur d'allumage doit être à la position marche (ON) et l'affichage doit être en mode compteur journalier. Appuyez sur le bouton de remise à zéro et maintenez-le enfoncé jusqu'à ce que l'affichage retourne à zéro.

### Voyant de vitesse surmultipliée

Si un tachymètre est installé en accessoire, le voyant de vitesse surmultipliée s'allume lorsque la surmultipliée (6<sup>e</sup> rapport) est sélectionnée.

# Instrument, caractéristiques et commandes

## Indicateurs lumineux



### Voyant de point mort

Le voyant de point mort s'allume lorsque la boîte de vitesses est au point mort et que la clé de contact est à la position marche (ON).



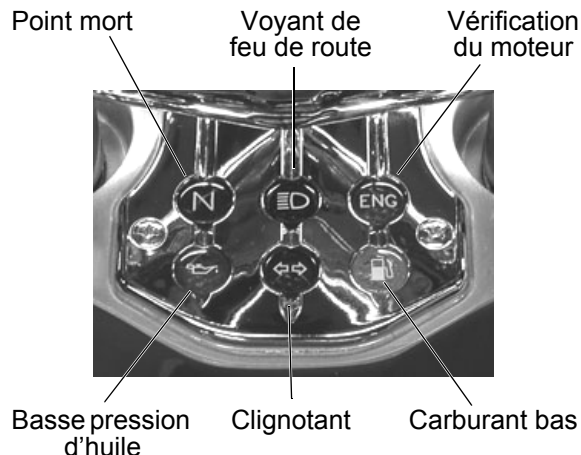
### Voyant de feu de route

Le voyant de feu de route s'allume lorsque le commutateur de phare est à la position de feu de route. Consultez la page 38.



### Témoin de vérification moteur

Le témoin de vérification moteur s'allume chaque fois que le commutateur d'allumage est à la position marche (ON) et que les capteurs du module de commande du moteur détectent une anomalie au niveau d'un capteur ou du fonctionnement du moteur. Le témoin de vérification moteur reste allumé tant qu'il existe une défec-tuosité. Il s'allume momentanément lorsque vous tournez le commutateur d'allumage à la position marche (ON) et que le moteur ne tourne pas. Vous savez ainsi que le témoin fonctionne correctement.



**AVIS :** Si le témoin de vérification moteur s'allume alors que le moteur tourne, le moteur peut comporter un grave problème. Communiquez le plus rapidement possible avec un concessionnaire agréé VICTORY.

# Instruments, caractéristiques et commandes

## Indicateurs lumineux



### Témoin de basse pression d'huile

Le témoin de basse pression d'huile s'allume lorsque la pression de l'huile moteur devient inférieure à la pression sécuritaire. Lorsque ce témoin s'allume pendant que le moteur fonctionne, arrêtez le moteur immédiatement et vérifiez le niveau de l'huile. Faites l'appoint selon le besoin. Si le niveau d'huile est correct et le témoin reste allumé lorsque vous remettez le moteur en marche, arrêtez le moteur immédiatement.

Le témoin de basse pression d'huile s'allume également lorsque le commutateur d'allumage est mis à la position marche (ON) et que le moteur ne tourne pas. Vous savez ainsi que le témoin fonctionne correctement.



### Témoin des clignotants

Le voyant de feux clignotants clignote lorsque les clignotants gauche, droit ou les deux (feux de détresse) fonctionnent.

Si l'ampoule d'un clignotant est grillée ou s'il y a un court-circuit dans le circuit des clignotants, le voyant de feux clignotants clignote deux fois plus rapidement que la normale. Consultez la page 39 pour les procédures de fonctionnement.



### Témoin de bas niveau de carburant

Le témoin de bas niveau de carburant s'allume lorsqu'il reste approximativement 3 L (0,8 gal US) de carburant dans le réservoir.



# Instruments, caractéristiques et commandes

## Commandes de guidon gauche



### Interrupteur des feux de détresse

L'interrupteur des feux de détresse allume et éteint les feux de détresse. Lorsque les feux de détresse sont actionnés, tous les clignotants clignotent. Appuyez sur le haut du commutateur pour activer les feux de détresse. Appuyez au bas du commutateur pour fermer les feux de détresse.



### Commutateur de feux de route/ de croisement

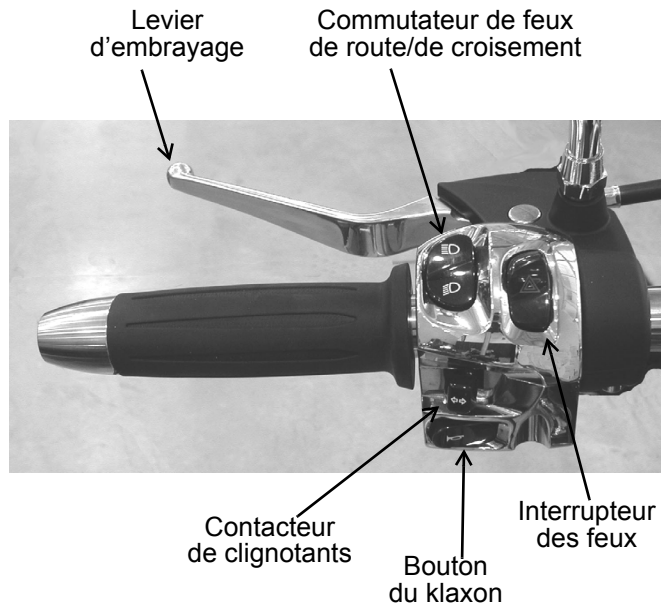


Le commutateur pour feux de route/de croisement vous permet de passer en alternance au feu de route, au feu de croisement et au feu de croisement momentané. Pour passer au feu de route, appuyez sur la partie supérieure du commutateur; pour passer au feu de croisement, appuyez sur la partie inférieure du commutateur. Pour passer au feu de croisement momentané, appuyez continuellement sur la partie inférieure du commutateur.



### Bouton du klaxon

Pour klaxonner, appuyez sur le bouton du klaxon.



# Instruments, caractéristiques et commandes

## Commandes de guidon gauche

### Levier d'embrayage

Pour débrayer, tirez le levier d'embrayage vers le guidon. Pour embrayer, relâchez graduellement le levier d'embrayage. Pour assurer un fonctionnement en douceur de l'embrayage, tirez rapidement sur le levier et relâchez-le graduellement.

**Conseil :** La motocyclette est dotée d'un interrupteur de verrouillage de l'embrayage qui empêche le moteur de démarrer lorsque la boîte de vitesses est en prise et que l'embrayage est engagé. Consultez la page 62.



### Contacteur de clignotants

Bougez le commutateur vers la gauche pour actionner les clignotants gauches. Bougez le commutateur vers la droite pour actionner les clignotants droits. Un signal désactivera automatiquement les clignotants dès que la vitesse ou la distance atteindront des niveaux prédéterminés. Pour annuler un signal manuellement, déplacez le contacteur vers le centre et poussez-le vers l'intérieur.

*Fonction momentanée :* Bougez le contacteur de clignotants vers la gauche ou vers la droite et gardez-le dans cette position pendant au moins une seconde. La fonction momentanée sera activée et le signal sera annulé dès que le contacteur sera relâché.

# Instruments, caractéristiques et commandes

## Commandes de guidon droit



### Commutateur arrêt/conduite du moteur

Le commutateur arrêt/conduite du moteur ferme ou ouvre les circuits de l'allumage, du démarreur et de la pompe à carburant. Pour fermer les circuits, ce qui vous permet de démarrer le moteur, appuyez sur la partie inférieure du commutateur arrêt/conduite du moteur (position de conduite). Pour ouvrir les circuits, appuyez sur la partie supérieure du commutateur (position arrêt). Le moteur ne doit pas démarrer ou fonctionner lorsque le commutateur est à la position arrêt.

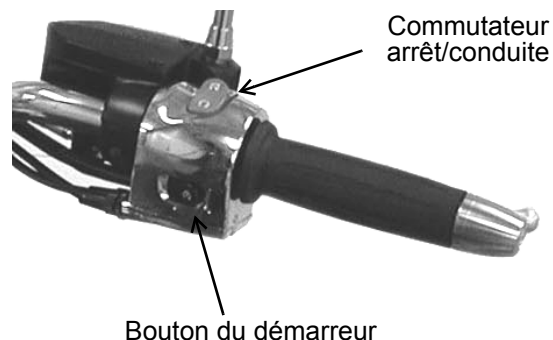
Utilisez le commutateur arrêt/conduite du moteur pour éteindre le moteur en conditions normales ou en cas d'urgence.



### Bouton du démarreur

Le bouton de démarreur ne fonctionne que lorsque le commutateur arrêt/conduite du moteur est à la position conduite, et que la boîte de vitesses est au point mort ou que l'embrayage est désengagé (levier d'embrayage tiré vers le guidon). Pour mettre en marche le moteur du démarreur de moteur, poussez sur le côté droit du bouton du démarrage.

Pour connaître les procédures détaillées de démarrage du moteur, consultez la page 62.



# Instruments, caractéristiques et commandes

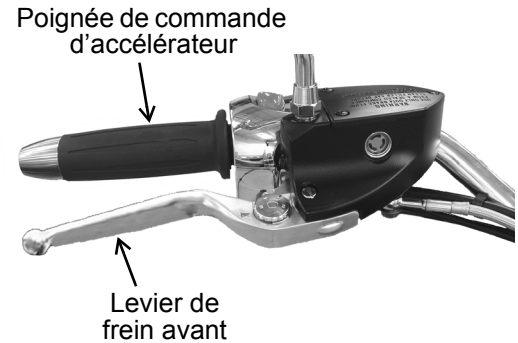
## Commandes de guidon droit

### Poignée de commande d'accélérateur

La poignée de commande d'accélérateur contrôle le régime du moteur. Pour augmenter le régime du moteur, tournez la poignée de commande d'accélérateur vers vous; pour réduire le régime du moteur, tournez la poignée en l'éloignant de vous. Lorsque vous relâchez la poignée, elle revient à la position ralenti.

### Levier de frein avant

Le levier de frein avant se trouve sur la poignée du guidon droit. Pour serrer le frein avant, tirez le levier vers le guidon. Consultez la page 67 pour les procédures de freinage.



## Instrument, caractéristiques et commandes

### Pédale de changement de vitesse

La pédale de changement de vitesse se trouve du côté gauche de la motocyclette. Pour passer à un rapport inférieur, appuyez sur la pédale de changement de vitesse. Pour passer à un rapport supérieur, levez la pédale de changement de vitesse.

Pour connaître la procédure appropriée de changement de vitesse, consultez les pages 64 à 66.

### Pédale de frein arrière

La pédale de frein arrière se trouve du côté droit de la motocyclette. Pour actionner le frein arrière, appuyez sur la pédale de frein arrière. Consultez la page 67 pour les procédures de freinage.

Pédale de  
changement  
de vitesse



Pédale de  
frein arrière



# Instruments, caractéristiques et commandes

## Bouchon de réservoir à carburant

Utilisez la clé de contact pour ouvrir et fermer le bouchon de réservoir à carburant. Consultez la page 61 pour les procédures de remplissage du réservoir de carburant.

Amorcez la pompe à carburant si le réservoir est complètement vide. Consultez la page 61.

### Ouvrez le bouchon de réservoir à carburant.

1. Soulevez le couvercle de la rainure sur le bouchon de réservoir à carburant et insérez la clé.
2. Tournez la clé dans le sens horaire en poussant légèrement vers le bas. Le loquet s'ouvrira et vous permettra d'ouvrir le bouchon.

### Fermez le bouchon de réservoir à carburant.

1. Insérez la clé dans le bouchon.
2. Tournez la clé dans le sens horaire et appuyez vers le bas sur le bouchon.
3. Tout en continuant d'appuyer vers le bas sur le bouchon, tournez la clé dans le sens antihoraire pour enclencher le loquet.
4. Retirez la clé et fermez le couvercle de la rainure à clé.

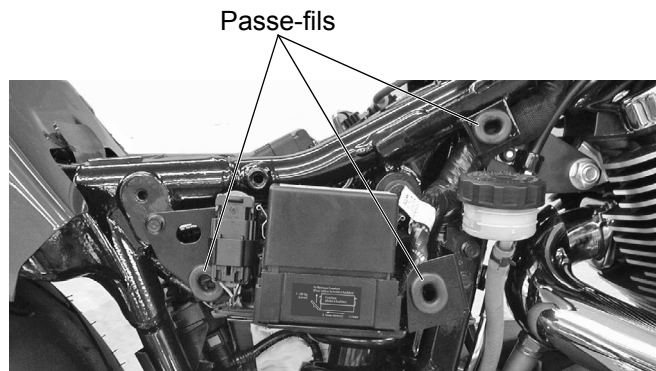


# Instrument, caractéristiques et commandes

## Capots latéraux

**Conseil :** Retirez le capot gauche pour atteindre la batterie. Retirez le capot droit pour atteindre les fusibles et le réservoir de liquide de freins arrière.

1. Sur chaque coin du couvercle latéral, tirez vers l'extérieur pour ouvrir les flèches.
2. Retirez le couvercle latéral de la motocyclette.
3. Pour réinstaller le couvercle latéral, assurez-vous que chaque passe-fil en caoutchouc est bien situé. Alignez chaque flèche avec le passe-fil approprié et appuyez fermement vers l'intérieur pour bien fixer.



## Béquille latérale

La béquille latérale se trouve sur le côté gauche du véhicule.

**AVERTISSEMENT !** Une béquille latérale mal relevée peut entrer en contact avec la masse durant la conduite et causer une perte de contrôle pouvant mener aux blessures graves ou à la mort. Assurez-vous toujours que la béquille latérale est complètement relevée avant de conduire la motocyclette.

1. Pendant que la motocyclette est en position verticale, poussez vers le bas sur la béquille latérale jusqu'à ce qu'elle soit complètement ouverte.
2. Inclinez lentement la motocyclette vers la gauche jusqu'à ce que le poids complet de la motocyclette repose de manière sécuritaire sur la béquille latérale.
3. Pour relever la béquille latérale, placez la motocyclette en position verticale. Ramenez la béquille latérale vers le haut à sa position initiale.

## Inspections avant la conduite

Pour garder votre motocyclette en état de conduite sécuritaire, effectuez toujours les inspections avant la conduite recommandées avant chaque conduite. Cette mesure est particulièrement importante avant d'entreprendre un long voyage et lorsque vous utilisez la motocyclette après une période d'entreposage.

### **⚠ AVERTISSEMENT**

Le non-respect des inspections avant la conduite recommandées peut mener à une défectuosité d'un composant durant la conduite et à des blessures graves ou à la mort. Avant chaque randonnée, effectuez toujours les inspections avant la conduite. Lorsque l'inspection indique un besoin de réglage, de remplacement ou de réparation, effectuez l'entretien sans tarder.

Tous les instruments de bord et les commandes doivent vous être familiers avant d'effectuer une inspection avant la conduite.

**Conseil** : Lors de l'inspection avant la conduite, il se peut que vous utilisiez des produits potentiellement dangereux, comme de l'huile ou du liquide de freins. Lorsque vous utilisez l'un de ces produits, suivez toujours les directives et avertissements indiqués sur les contenants.

Si les inspections indiquent un besoin de réglage, de remplacement ou de réparation :

- référez-vous à la section d'entretien du présent manuel;
- référez-vous au *Manuel d'entretien VICTORY*; ou
- consultez votre concessionnaire agréé VICTORY.



# Inspections avant la conduite

## Composants électriques

Placez le commutateur d'allumage à la position marche (ON) avant d'effectuer les inspections électriques indiquées sur cette page. Remettez le commutateur d'allumage à la position arrêt (OFF) après avoir complété ces inspections. Si l'inspection électrique indique une défektivité d'un composant, vous devez réparer ou remplacer le composant avant de mettre la motocyclette en marche.

Composant électrique	Procédure d'inspection
Phare	Vérifiez si le phare s'allume. Passez en mode de feu de route. Vérifiez si le voyant de feu de route s'allume et si la luminosité du feu augmente.
Feu arrière/feu d'arrêt	Vérifiez si le feu arrière et le feu de plaque d'immatriculation s'allument. Vérifiez si la luminosité du feu arrière augmente lorsque le levier de frein avant est comprimé et la pédale de frein arrière est enfoncée.
Clignotants	Poussez le contacteur de clignotants vers la gauche. Vérifiez si les clignotants gauches avant et arrière clignent et si le témoin correspondant s'allume sur le panneau du voyant. Poussez le contacteur vers l'intérieur pour annuler le clignotement. Vérifiez si les clignotants et l'indicateur lumineux ont cessé de clignoter. Procédez de la même façon pour vérifier les clignotants droits.
Feux de détresse	Poussez l'interrupteur des feux de détresse vers la gauche. Vérifiez si les quatre clignotants clignent, ainsi que le témoin sur le panneau du voyant. Poussez l'interrupteur vers la droite. Vérifiez si tous les clignotants et les témoins cessent de clignoter.
Klaxon	Appuyez sur le bouton du klaxon. Vérifiez si le klaxon sonne fort.
Témoin de basse pression d'huile	Démarrez le moteur. Vérifiez si le témoin de basse pression d'huile s'éteint.
Voyant de point mort	Mettez la boîte de vitesses au point mort. Vérifiez si le voyant de point mort s'allume.
Commutateur arrêt/conduite du moteur	Démarrez le moteur. Placez le commutateur arrêt/conduite du moteur à la position arrêt. Vérifiez si le moteur cesse de tourner. Tentez de remettre le moteur en marche pour vérifier que le moteur ne se remettra PAS en marche.

# Inspections avant la conduite

## Niveau d'huile moteur

Le bouchon de remplissage de l'huile/la jauge se trouve du côté droit du véhicule. Nous recommandons de n'utiliser que l'huile moteur semi-synthétique 20W-40 de marque VICTORY ou une huile équivalente conçue pour les embrayages à bain d'huile (comme celles ayant la classification JASO MA).

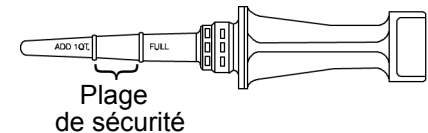
**AVIS :** Faire fonctionner le moteur lorsqu'il y a une quantité insuffisante ou excessive d'huile peut causer un grippage ou de graves dommages au moteur, ce qui pourrait entraîner une perte de contrôle et causer des blessures graves ou la mort. Ne faites pas fonctionner la motocyclette lorsque le niveau de l'huile est au-dessus du repère maximum (FULL) ou au-dessous du repère ajouter (ADD).

**Conseil :** La température de fonctionnement du moteur doit être normale lors de la vérification du niveau d'huile.

1. Mettez la boîte de vitesses au point mort. Démarrez le moteur et laissez-le fonctionner au ralenti pendant plusieurs minutes.
2. Arrêtez le moteur et attendez de trois à cinq minutes avant de vérifier le niveau d'huile.
3. Sur une surface de niveau, enfourchez la motocyclette et positionnez-la à la verticale.
4. Retirez le bouchon de remplissage d'huile/la jauge et essuyez-la. Remettez la jauge en place et tournez le bouchon dans le sens horaire jusqu'à ce qu'il soit bien vissé.
5. Retirez la jauge et vérifiez le niveau d'huile. Ajoutez ou enlevez de l'huile, au besoin, pour ramener le niveau dans la plage de fonctionnement sécuritaire (entre les marques plein [FULL] et ajouter [ADD]) sur la jauge.
6. Répétez les étapes 1 et 2 chaque fois que vous rajustez le niveau de l'huile.



Remplissage  
de l'huile  
Bouchon/



# Inspections avant la conduite

## Niveau du carburant

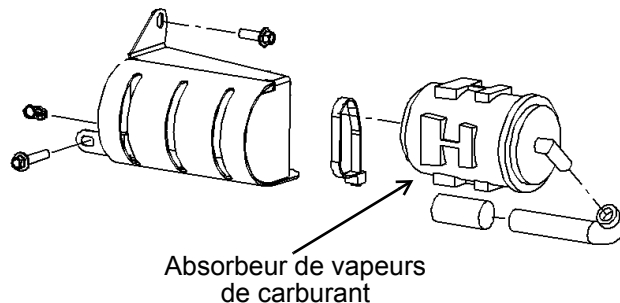
1. Sur une surface de niveau, enfourchez la motocyclette et positionnez-la à la verticale.
2. Démarrez le moteur. Le témoin de bas niveau de carburant restera allumé si le niveau du réservoir de carburant est inférieur à 3 L (0,80 gal US).
3. Au besoin, ajouter du carburant.

## Tuyau de carburant, rampe d'alimentation et raccords

Vérifiez que les tuyaux de carburant ne sont pas fissurés ou endommagés. Vérifiez si les raccords du tuyau au niveau du réservoir de carburant et de la rampe d'alimentation en carburant sont humides ou présentent des taches de fuites ou de carburant séché.

## Système de contrôle d'émission des vapeurs de carburant (modèles californiens)

Inspectez tous les raccords et les tuyaux du système de contrôle d'émissions des vapeurs de carburant. Assurez-vous que tous les raccords sont bien serrés. Inspectez l'absorbeur de vapeurs de carburant pour s'assurer qu'il n'est pas endommagé. L'absorbeur de vapeurs se trouve du côté gauche de la motocyclette, derrière la béquille latérale.



# Inspections avant la conduite

## Pression des pneus

Vérifiez la pression des pneus avant la conduite lorsque les pneus sont froids. Vous obtiendrez ainsi la lecture la plus exacte possible puisque la conduite a pour effet de réchauffer les pneus et d'augmenter la pression d'air dans les pneus. Au besoin, modifiez la pression des pneus en fonction du poids total de ce que vous avez l'intention de transporter. Consultez le Tableau de pression des pneus à la page 110.

## État des pneus

Inspectez les parois, la surface de contact avec la chaussée et la bande de roulement des pneus. Si l'inspection révèle des coupures, perforations, fissures ou autre type d'usure ou de dommage, remplacez le pneu avant la conduite.

## Profondeur de sculpture de pneu

Les barres d'usure (endroits soulevés à la base de la bande de roulement) sont des indicateurs de profondeur de sculpture facilement visibles. Lorsque la surface de contact avec la chaussée est usée jusqu'à la partie supérieure des barres d'usure, remplacez le pneu. Consultez la page 111.

## Dispositifs de retenue des charges

Vérifiez tous les dispositifs de retenue des charges lorsque vous transportez une charge. Assurez-vous que tous les dispositifs de retenue sont attachés solidement pour empêcher le déplacement des charges.

# Inspections avant la conduite

## Levier de frein avant

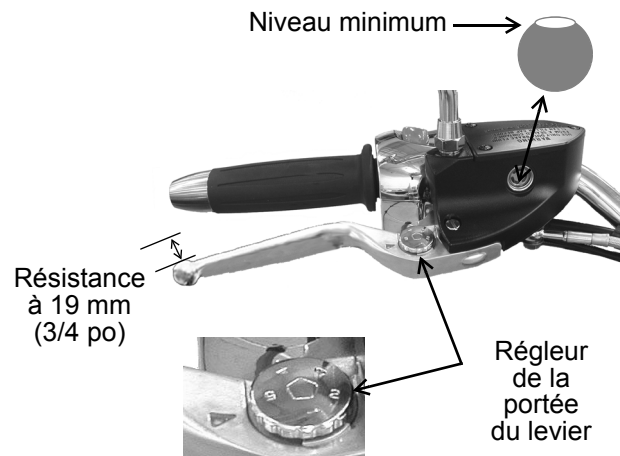
Tirez le levier de frein avant en direction du guidon et relâchez-le. Elle doit bouger librement et en douceur, et revenir rapidement à sa position initiale lorsque vous la relâchez. Vous devez sentir une résistance ferme sur le levier au cours de la première portion de 19 mm (3/4 po) de la course du levier.

Si le levier ne fonctionne pas comme indiqué, faites réparer le levier de frein avant la conduite. Consultez le *Manuel d'entretien VICTORY* ou votre concessionnaire agréé VICTORY.

## Réglage de la portée du levier de frein

La portée du levier (la distance par rapport à la poignée) est réglable.

1. Tirez le levier loin de la poignée et tenez-le.
2. Pour augmenter la portée, tournez le régleur vis-à-vis un chiffre plus petit sur le repère du levier.
3. Pour diminuer la portée, tournez le régleur vis-à-vis un chiffre plus grand sur le repère du levier.



# Inspections avant la conduite

## Niveau du liquide de freins avant

1. Enfourchez la motocyclette et positionnez-la à la verticale. Positionnez le guidon afin que le réservoir de liquide soit au niveau.
2. Vérifiez le niveau du liquide par le hublot de regard. Le liquide devrait être clair. Remplacez le liquide brumeux ou contaminé.
3. Le niveau du liquide devrait se situer à la hauteur de la partie supérieure du hublot de regard ou au-dessus. Faites l'appoint de liquide selon le besoin. Consultez la page 105.

## Pédale de frein arrière

Appuyez sur la pédale de frein arrière et relâchez-la. Elle doit bouger librement et en douceur, et revenir rapidement à sa position initiale lorsque vous la relâchez. Vous devez sentir une résistance ferme sur la pédale au cours de la première portion de 9,5 mm (3/8 po) de la course de la pédale. Si la pédale de frein ne fonctionne pas comme prévu ou si la course est trop longue avant que le frein soit appliqué, consultez le *Manuel d'entretien VICTORY* ou communiquez avec un concessionnaire agréé VICTORY pour corriger le problème.



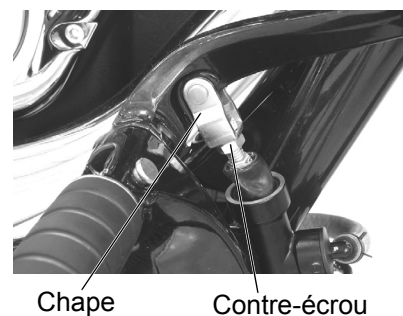
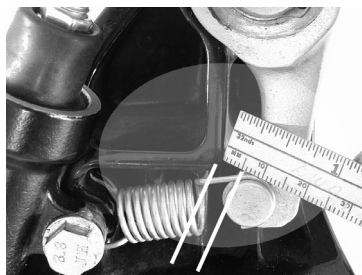
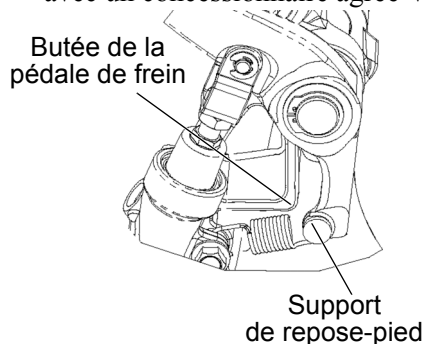
# Inspections avant la conduite

## Pédale de frein arrière

### Écartement de la pédale de frein

Avec la pédale de frein en position détendue et le piston du maître-cylindre placé contre la butée interne, mesurez la distance entre la butée de la pédale de frein et le support du repose-pieds. L'écartement devrait mesurer entre 2 et 5 mm. Effectuez les réglages au besoin.

1. Tenez la chape pour l'empêcher de plier. Desserrez le contre-écrou de la tringlerie de frein.
2. Tournez la tringlerie d'un côté ou de l'autre au besoin.
3. Tenez la chape et serrez le contre-écrou solidement contre la chape.
4. Vérifiez si l'écartement mesure entre 2 et 5 mm.
5. Vérifiez si la roue arrière tourne librement sur toute la gamme de jeu libre de la pédale sans frotter ni coller. En cas de frottement lorsque la pédale est relâchée, consultez le *Manuel d'entretien VICTORY* ou communiquez avec un concessionnaire agréé Victory.



# Inspections avant la conduite

## Niveau du liquide de freins arrière

1. Retirez le capot latéral droit.
2. Enfourchez la motocyclette et positionnez-la à la verticale.
3. Vérifiez le liquide de freins à travers le réservoir. Le liquide devrait être clair. Remplacez le liquide brumeux ou contaminé.
4. Le niveau du liquide devrait être entre les repères minimum et maximum sur le réservoir. Faites l'appoint de liquide selon le besoin. Consultez la page 106.

## Conduites de freins

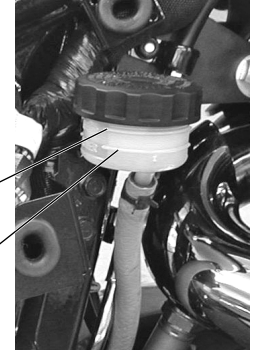
1. Vérifiez si les raccords et les tuyaux de freins sont humides ou présentent des taches de fuites ou de liquide de freins séché.
2. Serrez tous les raccords qui fuient et remplacez les pièces au besoin.

## Plaquettes de frein

Vérifiez l'épaisseur de la plaquette de frein avant et arrière. Remplacez les plaquettes de frein lorsque les lignes d'usure ne sont plus visibles ou lorsque la plaquette mesure 1,5 mm d'épaisseur. Consultez la page 108.

Repère  
maximum

Repère  
minimum





# Inspections avant la conduite

## Accélérateur

1. Faites tourner la poignée de commande d'accélérateur. Elle doit tourner en douceur à partir de la position initiale jusqu'à la position complètement ouverte. Elle doit revenir rapidement à la position initiale lorsque vous la relâchez.
2. Retirez le couvercle d'accès latéral droit. Vérifiez que les câbles d'accélérateur ne sont pas effilochés aux extrémités.
3. Faites réparer le système d'accélération si l'accélérateur ne fonctionne pas en douceur, si la poignée d'accélérateur ne revient pas correctement ou si les extrémités de câbles sont effilochées. Consultez le *Manuel d'entretien VICTORY* ou votre concessionnaire agréé VICTORY.

## Jeu libre de la commande d'accélérateur

Le jeu libre de la commande d'accélérateur correspond au mouvement de la poignée de commande d'accélérateur entre la position initiale et le point de résistance du câble. Mesurez cette distance. Le jeu libre devrait être entre 2 et 4 mm. Réglez le jeu libre de l'accélérateur, au besoin. Consultez la page 99.



Couvercle d'accès

Extrémités du câble d'accélérateur

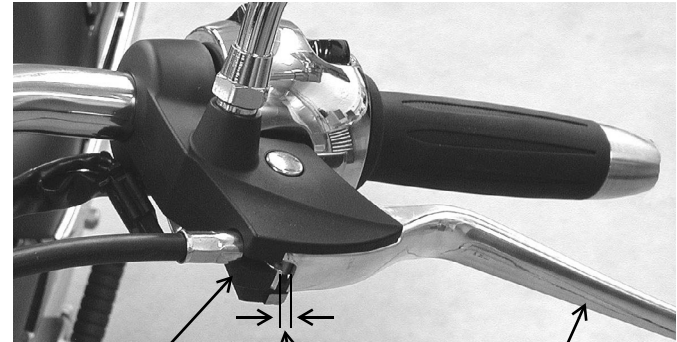


# Inspections avant la conduite

## Embrayage mécanique

1. Appuyez sur le levier d'embrayage en direction du guidon et relâchez-le. Il doit bouger librement et en douceur, et revenir rapidement à la position initiale lorsque vous le relâchez. Si le levier d'embrayage ne fonctionne pas comme indiqué, faites-le réparer avant la conduite.
2. Le jeu libre (écartement) est le jeu du levier entre sa position initiale et le point de résistance du câble. Le jeu libre du levier d'embrayage devrait être entre 0,5 et 1,5 mm. Mesurez l'écartement entre le levier d'embrayage et le boîtier du levier. Au besoin, réglez le jeu libre du levier d'embrayage. Consultez la page 100.

**Conseil :** Le verrouillage du démarreur dépend du bon réglage du jeu libre du levier d'embrayage pour assurer la commande du contacteur de sécurité d'embrayage.



Boîtier du  
levier

Jeu libre  
de 0,5 à 1,5 mm

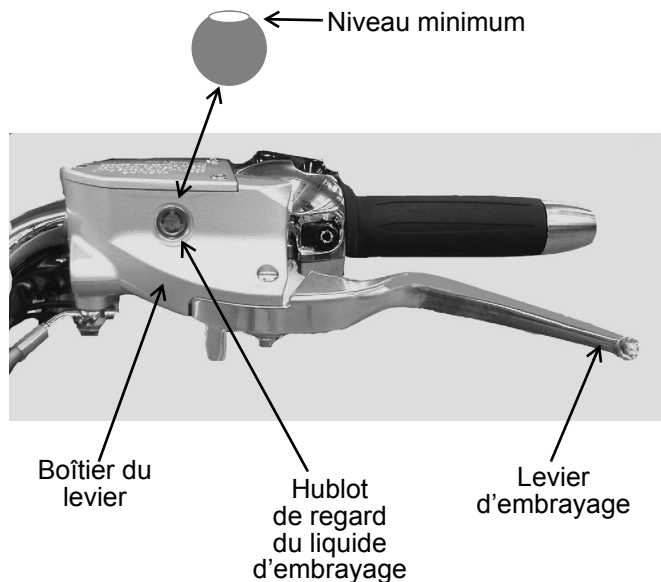
Levier  
d'embrayage

## Inspections avant la conduite

### Niveau du liquide d'embrayage hydraulique

Vérifiez le niveau du liquide d'embrayage hydraulique.

1. Positionnez la motocyclette sur une surface de niveau avec la roue avant orientée vers l'avant. N'utilisez pas la béquille latérale. Positionnez le guidon afin que le réservoir de liquide d'embrayage avant soit de niveau.
2. Vérifiez le niveau du liquide par le hublot de regard. Le liquide devrait être clair. Remplacez le liquide brumeux ou contaminé.
3. Le niveau du liquide devrait se situer à la hauteur de la partie supérieure du hublot de regard ou au-dessus. Faites l'appoint de liquide selon le besoin. Consultez la page 103.



# Inspections avant la conduite

## Suspension avant

Vérifiez si les fourches avant présentent des fuites d'huile ou des dommages et si la suspension fonctionne en douceur. Consultez la page 93.

## Direction

Sur une surface de niveau, enfourchez la motocyclette et positionnez-la à la verticale. Tournez le guidon complètement d'un côté puis complètement de l'autre. Le mouvement doit être aisé sans être lâche. Assurez-vous que les fils, tuyaux et câbles de commande ne nuisent pas à la direction.

## Suspension arrière

Un réglage approprié de la suspension arrière joue un rôle essentiel dans le confort et la sécurité de la conduite. Vérifiez le mouvement et la précharge de l'amortisseur arrière pour vous assurer que la suspension présente une course et une garde au sol appropriées. Consultez la page 88.

**AVERTISSEMENT !** Une garde au sol inadéquate peut créer un contact entre les composants et la masse et mener à une perte de contrôle causant des blessures graves ou la mort. Assurez-vous toujours que la garde au sol est conforme aux spécifications.

## Courroie d'entraînement

1. Vérifiez la tension de la courroie d'entraînement. Consultez la page 78. La courroie d'entraînement doit être bien tendue.

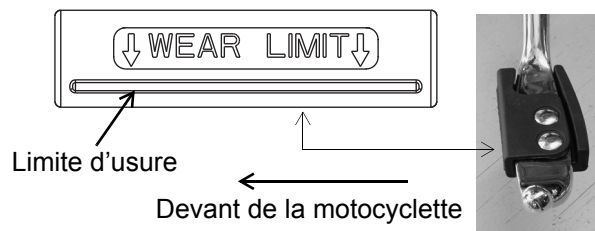
**Conseil :** Le système de la courroie d'entraînement doit être refroidi, propre et sec pour mesurer correctement la tension de la courroie (fléchissement). Ne mesurez pas la tension de la courroie lorsque la courroie ou le système d'entraînement est mouillé ou chaud (immédiatement après la conduite, par exemple).

2. Inspectez l'état de la courroie d'entraînement. Si vous découvrez des fissures, des dents brisées ou des rebords effilochés, remplacez la courroie d'entraînement avant la conduite. Consultez le *Manuel d'entretien VICTORY* ou votre concessionnaire agréé VICTORY.

# Inspections avant la conduite

## Béquille latérale

1. Enfourchez la motocyclette et positionnez-la à la verticale.
2. Levez et baissez complètement la béquille latérale à plusieurs reprises. La béquille doit se replier et se déployer en douceur et en silence. Assurez-vous que le ressort de rappel garde la béquille latérale en place solidement lorsqu'elle est en position relevée.
3. Remplacez immédiatement une béquille latérale gauchie. Ne tentez pas de redresser une béquille gauchie. La béquille en sera affaiblie et pourrait ne plus être en mesure de soutenir la motocyclette.
4. Vérifiez si le boulon de pivot de béquille latérale présente des signes d'usure ou de desserrement. Resserrez ou remplacez un boulon desserré ou usé.
5. Inspectez le patin en caoutchouc de la béquille latérale. Assurez-vous que le patin est solidement attaché à la béquille latérale. Vérifiez l'indicateur d'usure sur le flanc avant du patin. Remplacez le patin quand l'usure dépasse la ligne correspondant à la limite d'usure.



## Fixations

1. Vérifiez si toutes les fixations du châssis et du moteur de la motocyclette sont desserrées, endommagées ou manquantes. Serrez les fixations desserrées au couple approprié.
- Conseil :** Référez-vous à la section Spécifications de ce manuel ou au *Manuel d'entretien VICTORY* pour les valeurs de couple.
2. Remplacez toujours les fixations faussées, endommagées ou cassées avant la conduite. Utilisez des fixations d'origine VICTORY d'une dimension et d'une résistance identiques.

## Période de rodage du moteur

La section Fonctionnement explique comment faire fonctionner la motocyclette VICTORY pour obtenir une performance et une longévité optimales du moteur et des autres composants.

- Période de rodage du moteur
- Remplissage du réservoir de carburant et hauteur de remplissage
- Démarrage du moteur
- Passage de rapports
- Accélération
- Freinage
- Arrêt du moteur
- Stationnement

Pour une conduite et un fonctionnement sécuritaires, consultez la section Sécurité à partir de la page 6.

Au cours des premiers 800 km (500 mi), il faut suivre une procédure de rodage spéciale pour certaines pièces critiques du moteur afin qu'elles puissent s'emboîter et s'engrener correctement. Lisez, prenez connaissance et observez les règles suivantes lors du fonctionnement de la motocyclette pendant les premiers 800 km (500 mi).

**AVIS :** Au cours des premiers 800 km (500 mi), ne placez pas une charge inutile sur le moteur. Évitez de le faire fonctionner à plein régime pendant une période prolongée ou dans des conditions qui pourraient entraîner une surchauffe.

# Fonctionnement

## Période de rodage du moteur

**AVIS :** Si un problème surgit pendant la période de rodage du moteur, consultez immédiatement la section Entretien du *Manuel d'utilisation* ou le *Manuel d'entretien VICTORY* ou consultez un concessionnaire agréé VICTORY.

Le fait de manquer un entretien initial recommandé peut mener à un faible rendement du moteur dans l'avenir. Effectuez l'entretien initial tel que recommandé.

Indication du compteur kilométrique		Instructions
Kilomètres	Milles	
0 à 145	0 à 90	Ne conduisez pas pendant une période prolongée à une position d'accélérateur au-delà de la position à 1/3 ouvert. Faites varier la vitesse du moteur fréquemment. Ne conduisez pas pendant une période prolongée à une seule position de l'accélérateur.
145 à 483	90 à 300	Ne conduisez pas pendant une période prolongée à une position d'accélérateur au-delà de la position à 1/2 ouvert. Faites varier la vitesse du moteur fréquemment. Ne conduisez pas pendant une période prolongée à une seule position de l'accélérateur.
483 à 800	300 à 500	Ne conduisez pas pendant une période prolongée à une position d'accélérateur au-delà de la position à 3/4 ouvert.
800	À 500	Effectuez l'entretien initial expliqué à la section Entretien du Manuel d'utilisation. Cet entretien essentiel devrait être confié à un concessionnaire agréé VICTORY. L'entretien initial comprend la vérification de tous les réglages, le serrage de toutes les fixations et la vidange d'huile moteur.

## Période de rodage du moteur

### Remplissage du réservoir de carburant et hauteur de remplissage

Respectez toujours les mises en garde concernant le carburant à la page 22. Refaites toujours le plein sur une surface de niveau et avec la béquille latérale dépliée. Utilisez seulement le carburant recommandé. Consultez la page 154. Remplissez le réservoir de carburant jusqu'au-dessous de la base du goulot de remplissage.

**AVERTISSEMENT !** L'essence qui déborde ou qui est renversée peut entrer en contact avec le moteur ou le système d'échappement chaud et causer un incendie pouvant mener à des blessures graves ou à la mort. Évitez que l'essence entre en contact avec les composants chauds. Le carburant se dilate dans le réservoir de carburant. Ne remplissez pas trop le réservoir. Pour prévenir les fuites, assurez-vous que le bouchon de remplissage du carburant est complètement inséré et verrouillé.

**AVIS :** Le carburant peut endommager les pièces en plastique et les surfaces peintes. Si l'essence entre en contact avec un composant de la motocyclette, rincez-le immédiatement avec de l'eau.

### Amorçage du système d'alimentation

Si la motocyclette tombe en panne sèche, amorcez le système d'alimentation avant de redémarrer le moteur.

1. Remplissez le réservoir de carburant.
2. Mettez le commutateur d'allumage à la position marche (ON).
3. Déplacez le commutateur arrêt/conduite du moteur de la position arrêt à la position de conduite.
4. Laissez la pompe à carburant fonctionner jusqu'à ce qu'elle s'arrête (environ trois secondes).
5. Déplacez le commutateur arrêt/conduite du moteur à la position arrêt.
6. Attendez trois secondes pour permettre au module de commande électronique de se réinitialiser.
7. Répétez les étapes 3 à 6 quatre ou cinq fois.



# Fonctionnement

## Période de rodage du moteur

### Démarrage du moteur

Le système de verrouillage du démarreur vous permet de démarrer le moteur seulement lorsque la boîte de vitesses est au point mort, ou lorsque la boîte de vitesses est en prise et que l'embrayage est désengagé (levier d'embrayage tiré).

**Conseil** : Si la motocyclette tombe en panne sèche, amorcez le système avant de démarrer le moteur. Consultez la page 61.

1. Effectuez les inspections avant la conduite. Consultez la page 45.
2. Insérez la clé dans le commutateur d'allumage et tournez le commutateur à la position marche (ON).
3. Enfourchez la motocyclette et positionnez-la à la verticale.
4. Serrez le frein avant et repliez la béquille latérale (position relevée).
5. Si le voyant de point mort ne s'allume pas, mettez la boîte de vitesses au point mort. Consultez la page 64.
6. Déplacez le commutateur arrêt/conduite du moteur à la position de conduite. Vous devriez entendre momentanément la pompe à carburant pendant qu'elle pressurise le système d'alimentation en carburant.

## Période de rodage du moteur

### Démarrage du moteur

**ATTENTION !** Ne donnez pas des coups de gaz ou n'engagez pas la boîte de vitesses immédiatement après avoir démarré le moteur. Laissez tourner le moteur au ralenti pendant une minute environ après un démarrage à froid ou 30 secondes après un démarrage à chaud pour que l'huile atteigne tous les endroits nécessitant une lubrification avant que le moteur soit mis sous charge.

7. En laissant l'accélérateur fermé, appuyez continuellement sur le bouton du démarreur pour démarrer le moteur. Relâchez immédiatement le bouton dès que le moteur démarre. Si le moteur ne démarre pas dans un délai de dix secondes, relâchez le bouton du démarreur. Attendez cinq secondes, puis essayez de nouveau.

**Conseil :** Tenez le bouton du démarreur enfoncé le moins longtemps possible afin de minimiser l'épuisement de la batterie. N'enfoncez pas le bouton du démarreur pour plus de dix secondes d'affilée.

8. Si le témoin de vérification moteur ou le témoin de basse pression d'huile ne s'éteint pas après le démarrage du moteur, arrêtez le moteur. Référez-vous à l'information sur le témoin de vérification moteur à la page 36 ou à l'information sur le témoin de basse pression d'huile à la page 37.

### Capteur de basculement

Le capteur de basculement (le cas échéant) arrête le moteur si la motocyclette bascule d'un côté de plus de 45 degrés. Si cela se produit, le témoin de vérification moteur s'allume également. Pour redémarrer le moteur, mettez le commutateur d'allumage à la position arrêt (OFF) et attendez dix secondes avant de redémarrer le moteur.

# Fonctionnement

## Passage de rapports

**AVERTISSEMENT !** Un passage de rapports forcé (avec l'embrayage engagé) peut causer des dommages au moteur, à la boîte de vitesses et au système d'entraînement. De tels dommages pourraient causer une perte de contrôle et entraîner des blessures graves ou la mort. Tirez toujours le levier d'embrayage complètement vers le guidon pour désengager l'embrayage avant de changer de rapport.

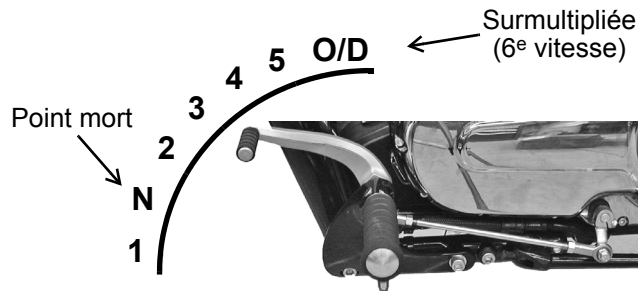
Cette motocyclette est équipée d'une boîte de vitesse à six rapports. La sixième vitesse est le surmultipliée. Le point mort se situe entre la première et la deuxième vitesse.

**Conseil :** La boîte de vitesses est au point mort si vous pouvez déplacer librement la motocyclette vers l'avant ou l'arrière sans désengager l'embrayage. Si le commutateur d'allumage est en marche, le voyant de point mort s'allume au moment où la boîte de vitesses est placée au point mort.

1. Démarrez le moteur. Consultez la page 62.
2. Pendant que le moteur fonctionne au régime ralenti, tirez le levier de frein avant vers le guidon.
3. Tirez le levier d'embrayage en direction du guidon.

**Conseil :** Passez à un rapport supérieur en levant l'avant de la pédale de changement de vitesses avec la pointe du pied. Passez à un rapport inférieur en appuyant vers le bas sur la pédale.

4. Appuyez sur la pédale de changement de vitesse jusqu'à ce que vous sentiez qu'elle s'arrête en première vitesse.



## Passage de rapports

5. Relâchez le levier de frein de stationnement.
6. Simultanément, relâchez le levier d'embrayage pendant que vous ouvrez doucement la commande d'accélérateur (tournez la poignée de commande de l'accélérateur vers l'arrière). Lorsque l'embrayage commence à s'engager, la motocyclette avance.
7. Pour passer à la vitesse supérieure, accélérez doucement et facilement jusqu'au point de changement de vitesse recommandé. Consultez la page 66.
8. D'un mouvement rapide, fermez simultanément l'accélérateur complètement et désengagez l'embrayage. Appuyez sur la pédale de changement de vitesse jusqu'à ce que vous la sentiez s'arrêter à la vitesse suivante.
9. Relâchez simultanément le levier d'embrayage lorsque vous ouvrez l'accélérateur.

**Conseil :** Lorsque vous êtes dans la plage de vitesses recommandée, vous pouvez rétrograder pour ralentir la motocyclette ou augmenter la puissance. Consultez la page 66. Vous pouvez rétrograder lorsque vous grimpez une côte ou doublez un autre véhicule. Vous pouvez également rétrograder pour réduire la vitesse conjointement avec la fermeture de l'accélérateur.

10. Pour passer à un rapport inférieur (passage descendant), tirez simultanément le levier d'embrayage en direction du guidon et fermez l'accélérateur. Appuyez sur la pédale de changement de vitesse jusqu'à ce que vous la sentiez s'arrêter à la vitesse suivante. Relâchez simultanément le levier d'embrayage lorsque vous ouvrez l'accélérateur.

**AVERTISSEMENT !** Une rétrogradation inappropriée peut causer une perte de traction et de contrôle et peut mener à des blessures graves ou à la mort.

- Réduisez la vitesse avant de rétrograder. Vous devez toujours rétrograder en respectant les points de passage de vitesse recommandés.
- Vous devez être extrêmement prudent lorsque vous rétrogradez sur des surfaces mouillées, glissantes ou à faible traction. Dans de telles conditions, relâchez progressivement le levier d'embrayage.
- Évitez de rétrograder dans une courbe. Rétrogradez avant de commencer à négocier la courbe.

# Fonctionnement

## Passage de rapports

### Points de passage de vitesse recommandés

<b>Passage ascendant (accélération)</b>	
<b>Changement de vitesse</b>	<b>Vitesse recommandée</b>
1 à 2	29 km/h (18 mi/h)
2 à 3	48 km/h (30 mi/h)
3 à 4	64 km/h (40 mi/h)
4 à 5	80 km/h (50 mi/h)
5 à surmultipliée	97 km/h (60 mi/h)

<b>Rétrogradation (décélération)</b>	
<b>Changement de vitesse</b>	<b>Vitesse recommandée</b>
Surmultipliée à 5	80 km/h (50 mi/h)
5 à 4	56 km/h (35 mi/h)
4 à 3	40 km/h (25 mi/h)
3 à 2	24 km/h (15 mi/h)
2 à 1	16 km/h (10 mi/h)

## Accélération

Accélérez en ouvrant l'accélérateur (tournez la poignée de commande d'accélérateur vers l'arrière). Plus vous ouvrez l'accélérateur rapidement, plus la motocyclette accélère rapidement. Pour une accélération uniforme, ouvrez doucement l'accélérateur d'un mouvement continu. Lorsque vous avez atteint la vitesse recommandée pour le passage de vitesse, passez au rapport suivant. Consultez la page 64.

**AVERTISSEMENT !** Une accélération brusque peut vous faire bouger soudainement vers l'arrière et causer une perte de contrôle. Une accélération brusque peut aussi causer une perte de contrôle sur des surfaces à faible traction. Une perte de contrôle pourrait entraîner des blessures graves ou la mort. Accélérez toujours progressivement, surtout sur des surfaces mouillées, glissantes ou à faible traction.

## Freinage

Prévoyez toujours une distance d'arrêt suffisante pour pouvoir appliquer les freins progressivement.

**Conseil :** Lorsque vous appliquez légèrement plus les freins avant que les freins arrière, vous obtenez généralement une meilleure performance de freinage.

1. Pour ralentir la motocyclette à l'aide des freins, fermez l'accélérateur et serrez les freins avant et arrière uniformément et progressivement.
2. À mesure que la motocyclette ralentit, désengagez l'embrayage ou rétrogradez chaque fois que la vitesse du véhicule atteint un point de passage descendant.

**AVERTISSEMENT !** Un freinage incorrect pourrait entraîner une perte de contrôle et mener aux blessures graves ou à la mort. Évitez d'appliquer les freins brusquement. Appliquez toujours les freins progressivement, surtout sur des surfaces mouillées, glissantes ou à faible traction. Évitez de freiner dans une courbe ou lors d'un virage. Placez la motocyclette en position verticale avant d'appliquer les freins.

# Fonctionnement

## Arrêt du moteur

Avant d'arrêter le moteur, arrêtez complètement la motocyclette. Passez au point mort ou débrayez.

**AVERTISSEMENT !** L'arrêt du moteur pendant que la boîte de vitesses est engagée et la motocyclette en mouvement peut causer une perte de traction de la roue arrière et des dommages au moteur ou à la boîte de vitesses, ce qui peut provoquer une perte de contrôle et des blessures graves ou la mort. Arrêtez toujours le moteur après que la motocyclette est complètement immobilisée et la boîte de vitesses est au point mort. Si le moteur s'arrête subitement pendant que la motocyclette est en mouvement, déplacez la motocyclette vers un endroit sécuritaire hors de la route et loin de la circulation.

1. Quand elle est complètement arrêtée, embrayez au point mort.
2. Déplacez le commutateur arrêt/conduite du moteur à la position arrêt.
3. Déplacez le commutateur d'allumage à la position arrêt (OFF). Retirez la clé de contact.

**Conseil :** Le bruit causé par le régulateur d'air de ralenti (IAC) est un processus de calibrage de gestion du moteur normal qui se produit chaque fois que le commutateur arrêt/conduite du moteur est placé en position arrêt ou lorsque la clé est en position arrêt.

## Stationnement de la motocyclette

Choisissez une surface ferme et de niveau pour stationner la motocyclette.

1. Quand elle est complètement arrêtée, embrayez au point mort.
2. Arrêtez le moteur.
3. Déployez la béquille latérale.
4. Tournez le guidon vers la gauche, puis inclinez la motocyclette vers la gauche jusqu'à ce qu'elle repose solidement sur la béquille latérale.
5. Retirez la clé de contact.

## Stationnement à flanc de pente

S'il est inévitable de stationner dans une pente, positionnez l'avant de la motocyclette vers le haut de la pente. Engagez la boîte de vitesses et positionnez la motocyclette de manière à ce qu'elle repose de façon stable sur sa béquille latérale.

## Stationnement sur une surface meuble

Si vous devez stationner sur une surface meuble, placez une plaque sous le pied de la béquille latérale afin d'obtenir une surface ferme. Cette plaque doit être suffisamment grande et résistante pour soutenir le poids de la motocyclette sans s'enfoncer dans le sol.

Une chaussée en asphalte ramollit par temps chaud. La béquille latérale peut s'enfoncer dans l'asphalte ramolli et la motocyclette pourrait tomber. Si vous stationnez sur de l'asphalte par temps chaud, utilisez un repose-pieds comme béquille latérale.

**ATTENTION !** Un moteur et des composants d'échappement chauds peuvent brûler la peau et causer un incendie s'ils sont en contact avec des matières inflammables. Stationnez toujours la motocyclette loin des matières inflammables et à un endroit où les gens ne risquent pas d'entrer en contact avec les composants chauds.



## Entretien

Un entretien approprié assure le meilleur niveau de sécurité, durabilité et fiabilité de votre motocyclette.

- Demandez à votre concessionnaire VICTORY d'effectuer les procédures d'entretien initiales lorsque le compteur kilométrique atteint 800 km (500 mi).
- Passez en revue l'information sur l'entretien associé à la sécurité à la page 23.
- Effectuez l'entretien périodique recommandé aux intervalles spécifiés dans le tableau d'entretien périodique à partir de la page 72.

### Entretien initial

L'entretien initial assurera la performance optimale du moteur pour toute sa durée utile. Votre concessionnaire peut vidanger l'huile moteur, vérifier tous les liquides et composants remplaçables, s'assurer que toutes les fixations sont serrées et faire d'autres ajustements, au besoin.

### Entretien majeur

Pour de plus amples renseignements sur les réparations majeures, référez-vous au *Manuel d'entretien VICTORY*. Les réparations majeures exigent généralement des connaissances techniques et des outils spéciaux. L'entretien du système de contrôle d'émissions requiert des outils spéciaux et une formation spéciale; ces réparations doivent être effectuées par votre concessionnaire.

## Entretien périodique

Positionnez toujours la motocyclette sur une surface ferme et de niveau avant d'effectuer l'entretien. Inspectez, nettoyez, lubrifiez, réglez et remplacez les pièces selon le besoin. Lorsqu'une inspection indique la nécessité de remplacer des pièces, utilisez des pièces VICTORY authentiques, disponibles auprès de votre concessionnaire VICTORY. Consignez l'information sur l'entretien et les réparations dans le Registre d'entretien débutant à la page 156.

Effectuez l'entretien aux intervalles spécifiés dans le tableau d'entretien périodique commençant à la page 72. Effectuez les procédures plus souvent si l'usage normal de la motocyclette comprend :

- un fonctionnement à haut régime pendant des périodes prolongées;
- un fonctionnement à bas régime pendant des périodes prolongées;
- un fonctionnement dans des conditions poussiéreuses ou autrement difficiles.

Avant d'entreprendre une procédure quelconque d'entretien, lisez toutes les directives concernant cette procédure. Durant certaines procédures, vous pourriez utiliser des produits potentiellement dangereux comme de l'huile ou du liquide de freins. Suivez toujours les directives et avertissements indiqués sur les contenants.

**AVERTISSEMENT !** Des pièces mal installées ou mal réglées peuvent déstabiliser la motocyclette ou la rendre difficile à manier. Des composants électriques mal installés peuvent entraîner une défaillance du moteur ou du système électrique. Dans les deux cas, cela pourrait mener à des dommages ou à des blessures graves. Si vous n'avez pas le temps, les outils ou l'expertise requis pour effectuer une procédure correctement, veuillez consulter votre concessionnaire pour l'entretien.

## Essais de conduite

Avant d'utiliser régulièrement la motocyclette après avoir effectué l'entretien, effectuez un essai de conduite dans un environnement sécuritaire. Portez une attention particulière à l'ajustement et au fonctionnement appropriés de toutes les pièces ayant fait l'objet d'un entretien. Effectuez les corrections ou réglages supplémentaires requis pour garantir un rendement sécuritaire du véhicule.

# Entretien

## Tableau d'entretien périodique

Composant	Page	Indication du compteur kilométrique en km (mi)																				
		800 (500)	4 000 (2 500)	8 000 (5 000)	12 000 (7 500)	16 000 (10 000)	20 000 (12 500)	24 000 (15 000)	28 000 (17 500)	32 000 (20 000)	36 000 (22 500)	40 000 (25 000)	44 000 (27 500)	48 000 (30 000)	52 000 (32 500)	56 000 (35 000)	60 000 (37 500)	64 000 (40 000)	68 000 (42 500)	72 000 (45 000)	76 000 (47 500)	80 000 (50 000)
***Filtre à air	77	I	I	I	I	R	I	I	I	R	I	I	I	R	I	I	I	R	I	I	I	R
Batterie	116	I	I	I	I	I	I	I	I	I	I	I	I	I	I	I	I	I	I	I	I	I
**Liquide de frein	105, 106	I	I	I	I	I	I	I	I	I	I	I	I	R	I	I	I	I	I	I	I	I
Plaquettes de frein	108	I	I	I	I	I	I	I	I	I	I	I	I	I	I	I	I	I	I	I	I	I
**Liquide d'embrayage (hydraulique)	103	I	I	I	I	I	I	I	I	I	I	I	I	R	I	I	I	I	I	I	I	I
Levier d'embrayage	104	I	I	I	I	L	I	I	I	L	I	I	I	L	I	I	I	L	I	I	I	L
Câble d'embrayage (mécanique)	102	I	I	I	I	L	I	I	I	L	I	I	I	L	I	I	I	L	I	I	I	L
Système de ventilation du carter	95	I	I	I	I	I	I	I	I	I	I	I	I	I	I	I	I	I	I	I	I	I
Courroie d'entraînement	78	I	I	I	I	I	I	I	I	I	I	I	I	R	I	I	I	I	I	I	I	I
*Huile moteur	75	R	R	R	R	R	R	R	R	R	R	R	R	R	R	R	R	R	R	R	R	R
*Filtre à huile moteur	75	R	R	R	R	R	R	R	R	R	R	R	R	R	R	R	R	R	R	R	R	R

### Légende du tableau

- I Inspectez (serrez, nettoyez, réglez, remplacez au besoin).
- L Lubrifiez avec un lubrifiant adéquat.
- R Remplacez/remettez à neuf.
- E Effectuez.

\*Remplacez à l'intervalle spécifié ou annuellement.

\*\*Remplacez à l'intervalle spécifié ou à tous les deux ans.

\*\*\*Remplacez à tous les 8 000 km (5 000 mi) si vous conduisez dans un environnement poussiéreux.

## Tableau d'entretien périodique

Composant	Page	Indication du compteur kilométrique en km (mi)																					
		800 (500)	4 000 (2 500)	8 000 (5 000)	12 000 (7 500)	16 000 (10 000)	20 000 (12 500)	24 000 (15 000)	28 000 (17 500)	32 000 (20 000)	36 000 (22 500)	40 000 (25 000)	44 000 (27 500)	48 000 (30 000)	52 000 (32 500)	56 000 (35 000)	60 000 (37 500)	64 000 (40 000)	68 000 (42 500)	72 000 (45 000)	76 000 (47 500)	80 000 (50 000)	
Consultez la légende du tableau ci-dessous.																							
Compression du moteur	114	I				I				I				I				I				I	
Système de contrôle d'émission des vapeurs de carburant (modèles californiens)	95	I		I		I		I		I		I		I		I		I		I		I	
Système d'échappement	114	I	I	I	I	I	I	I	I	I	I	I	I	I	I	I	I	I	I	I	I	I	I
Fixations	58	I		I		L		I		L		I		L		I		L		I		L	
Levier de frein avant	50, 107	I		I		I		I		I		I		I		I		I		I		I	
**Huile de la fourche avant	93	I		I		I		R		I		I		R		I		I		R		I	
Fourches avant/essieu avant	93, 94	I		I		I		I		I		I		I		I		I		I		I	
Filtre à carburant	96										R												R
Système d'alimentation	95	I	I	I	I	I	I	I	I	I	I	I	I	I	I	I	I	I	I	I	I	I	I
Pédale de changement de vitesse	109	I		I		L		I		L		I		L		I		L		I		L	
Phare	120	I				I				I				I				I				I	

## Légende du tableau

- I Inspectez (serrez, nettoyez, réglez, remplacez au besoin).  
 L Lubrifiez avec un lubrifiant adéquat.  
 R Remplacez/remettez à neuf.  
 E Effectuez.

\*Remplacez à l'intervalle spécifié ou annuellement.

\*\*Remplacez à l'intervalle spécifié ou à tous les deux ans.

\*\*\*Remplacez à tous les 8 000 km (5 000 mi) si vous conduisez dans un environnement poussiéreux.

# Entretien

## Tableau d'entretien périodique

Composant	Page	Indication du compteur kilométrique en km (mi)																					
		800 (500)	4 000 (2 500)	8 000 (5 000)	12 000 (7 500)	16 000 (10 000)	20 000 (12 500)	24 000 (15 000)	28 000 (17 500)	32 000 (20 000)	36 000 (22 500)	40 000 (25 000)	44 000 (27 500)	48 000 (30 000)	52 000 (32 500)	56 000 (35 000)	60 000 (37 500)	64 000 (40 000)	68 000 (42 500)	72 000 (45 000)	76 000 (47 500)	80 000 (50 000)	
Alignement de la roue arrière	85	I		I		I		I		I		I		I		I		I		I		I	
Amortisseur arrière	88							I						I						I			R
Pédale de frein arrière	51	I		I		L		I		L		I		L		I		L		I		L	
Essai de conduite	71	E	E	E	E	E	E	E	E	E	E	E	E	E	E	E	E	E	E	E	E	E	E
Béquille latérale	123	I		I		L		I		L		I		L		I		L		I		L	
Patin de caoutchouc du patin de béquille latérale	58	I	I	I	I	I	I	I	I	I	I	I	I	I	I	I	I	I	I	I	I	I	
Bougies	112	I		I		I		I		I		I		R		I		I		I		I	
Roulements de la tête de direction	94	I	I	I	I	I	I	L	I	I	I	I	I	L	I	I	I	I	I	L	I	I	
Bras oscillant et essieu arrière	92	I		I		I		I		I		I		I		I		I		I		I	
Système d'accélération	98, 99	I	I	I	I	L	I	I	I	L	I	I	I	L	I	I	I	I	L	I	I	I	L
Pneus	110	I	I	I	I	I	I	I	I	I	I	I	I	I	I	I	I	I	I	I	I	I	
État des roues	109	I		I		I		I		I		I		I		I		I		I		I	

### Légende du tableau

**I** Inspectez (serrez, nettoyez, réglez, remplacez au besoin).

**L** Lubrifiez avec un lubrifiant adéquat.

**R** Remplacez/remettez à neuf.

**E** Effectuez.

\*Remplacez à l'intervalle spécifié ou annuellement.

\*\*Remplacez à l'intervalle spécifié ou à tous les deux ans.

\*\*\*Remplacez à tous les 8 000 km (5 000 mi) si vous conduisez dans un environnement poussiéreux.

## Vidange d'huile moteur et remplacement du filtre

1. Démarrez le moteur et laissez-le fonctionner au ralenti pendant plusieurs minutes. Arrêtez le moteur.

**Conseil** : La température de fonctionnement du moteur doit être normale avant de vidanger l'huile.

**ATTENTION !** Un moteur et des composants d'échappement chauds peuvent brûler la peau et causer un incendie s'ils sont en contact avec des matières inflammables. Stationnez toujours la motocyclette loin des matières inflammables et à un endroit où les gens ne risquent pas d'entrer en contact avec les composants chauds.

2. Positionnez solidement la motocyclette sur la béquille latérale.
3. Placez un bac de vidange sous le bouchon de vidange et le filtre à huile.
4. Retirez le bouchon de vidange et le joint. Utilisez l'outil universel (sous le couvercle latéral gauche) ou une douille hexagonale de 6 mm de bonne qualité.
5. Laissez toute l'huile s'écouler.
6. À l'aide d'une clé pour filtre à huile, desserrez lentement le filtre. Laissez l'huile du filtre s'écouler avant de retirer le filtre.
7. Réinstallez le bouchon de vidange, en mettant une rondelle d'étanchéité neuve.

**Couple : 20 N·m (15 lb·pi)**

8. Nettoyez les filets et la plaque de montage du filtre à huile.
9. Assurez-vous que le joint du nouveau filtre à huile est correctement installé sur le filtre.
10. Appliquez une mince couche d'huile moteur propre sur le joint. Vissez le nouveau filtre jusqu'à ce que le joint entre en contact avec la plaque de montage du filtre. Serrez le filtre à la main en lui faisant effectuer 3/4 de tour supplémentaire.

*(suite à la page suivante)*

## Entretien

### Vidange d'huile moteur et remplacement du filtre

11. Ajoutez environ 4 à 4,25 L (8,75 à 9 chopines) d'huile recommandée par le bouchon de remplissage d'huile. Consultez la page 47.

12. Remettez en place le bouchon de remplissage d'huile.

**AVIS :** Après une vidange d'huile, le témoin de basse pression d'huile demeure allumé plus longtemps que d'habitude avant de s'éteindre. Si vous donnez des coups de gaz pendant que le témoin de basse pression d'huile est allumé, vous pourriez endommager le moteur.

13. Démarrez le moteur et laissez-le fonctionner au ralenti pendant plusieurs minutes. Arrêtez le moteur.

14. Vérifiez la présence de fuites autour du bouchon de vidange et du filtre à huile. Vérifiez le niveau d'huile et rajustez le niveau, au besoin. Consultez la page 47.

15. Recyclez correctement l'huile et le filtre à huile usagés.

## Filtre à air

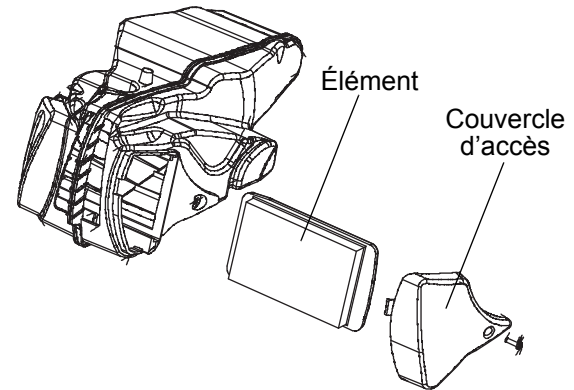
Remplacez l'élément du filtre à air aux intervalles recommandés dans le tableau d'entretien périodique commençant à la page 72. Remplacez l'élément chaque fois qu'il devient extrêmement sale ou contaminé.

**Conseil** : Inspectez le filtre à air souvent si vous conduisez dans un environnement anormalement humide ou poussiéreux.

1. Retirez le couvercle d'accès au filtre à air et l'élément de filtre au moyen de l'outil universel (inclus sous le capot latéral gauche) ou un tournevis Phillips n° 2.
2. Pour retirer les débris de l'élément du filtre, utilisez un jet d'air à faible pression et soufflez sur le filtre, de l'arrière vers l'avant.

**ATTENTION !** Portez une visière lorsque vous utilisez de l'air comprimé.

3. N'appliquez pas d'huile du filtre à air sur l'élément en papier. Appliquez une petite quantité de lubrifiant sur le bord du cadre de l'élément du filtre à air.
4. Réinstallez l'élément et le couvercle d'accès. Ne serrez pas trop les vis du couvercle d'accès.





## Entretien

### État de la courroie d'entraînement

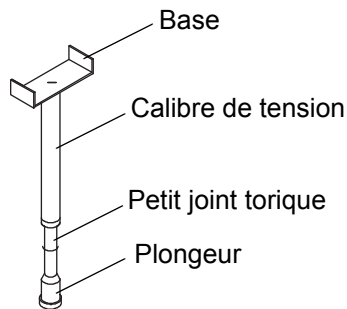
Remplacez la courroie d'entraînement si elle est fendillée ou si elle présente des dents cassées ou des bords effilochés. Peu importe son état, la courroie d'entraînement doit être remplacée à intervalles réguliers. Consultez le *Manuel d'entretien VICTORY* ou votre concessionnaire agréé VICTORY.

Ne tentez PAS de vérifier la tension de la courroie lorsque celle-ci a été exposée à la pluie ou lavée dans les 24 dernières heures ou lorsqu'elle n'a pas encore eu le temps de refroidir. Avant de mesurer la tension de la courroie, laissez-la refroidir à la température ambiante. Afin de prolonger au maximum la durée de vie de la courroie d'entraînement VICTORY recommande le remplacement de la courroie d'entraînement et les deux pignons en tant qu'ensemble si la courroie d'entraînement a une usure de plus de 8 000 km (5 000 mi) au moment du dommage ou de la défaillance.

### Inspection de la tension de la courroie d'entraînement

La vérification de la tension de la courroie d'entraînement comprend l'utilisation du calibre de tension de la courroie (n° de pièce PV-43532). Avant d'entreprendre cette procédure :

- Assurez-vous que la courroie d'entraînement est sèche et à la température ambiante.
- Assurez-vous que la suspension arrière est réglée correctement. Consultez la page 88.



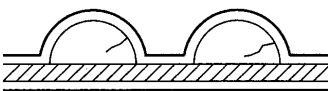
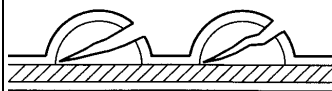
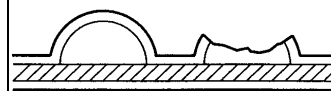
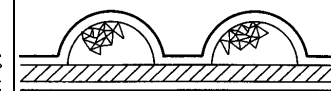

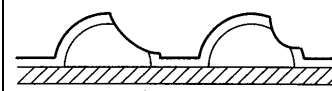
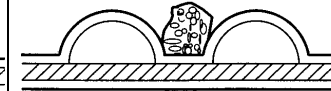
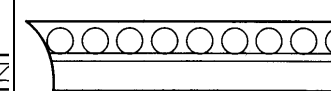
## Inspection de la tension de la courroie d'entraînement

Fléchissement de la courroie d'entraînement	
Fléchissement avec une force de 4,5 kg (10 lb)	6 mm +/- 0,5 mm

Les renseignements suivants sont fournis aux fins d'utilisation de l'indicateur de tension sonore. Suivez les directives incluses avec l'indicateur.

Données requises		Tension
Intervalle de mesure	658,3 mm	48,3 Hz +/- 1
Largeur de la courroie	28 mm	
Constante de masse de la courroie	8,4	

## Analyse de l'usure de la courroie d'entraînement

			
Fissures interne de la dent (capillaire) : correcte pour fonctionner, mais surveillez son état.	Fissures externe de la dent : remplacez la courroie.	Dents manquantes : remplacez la courroie.	Écaillage (pas grave) : correcte pour fonctionner, mais surveillez son état.
			
Fil avec rebord effiloché : correcte pour fonctionner, mais surveillez son état.	Usure du crochet : remplacez la courroie.	Domages causés par la roche : remplacez la courroie si le rebord est endommagé.	Chanfrein usé (rebord extérieur seulement) : correcte pour fonctionner, mais surveillez son état.

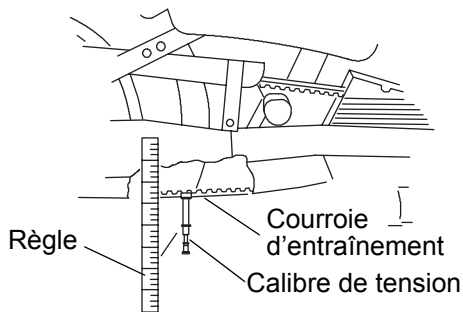
# Entretien

## Inspection de la tension de la courroie d'entraînement

1. Soulevez l'arrière de la motocyclette jusqu'à ce que la roue arrière soit au-dessus du sol. Utilisez un support pour motocyclette approprié ou un bloc de bois ou d'acier placé solidement sous le châssis.
2. Mettez la boîte de vitesses au point mort.

**ATTENTION !** Assurez-vous que la motocyclette est appuyée solidement lorsqu'elle est soulevée. Vous pourriez vous blesser en cas de basculement ou de chute de la motocyclette.

3. Placez le petit joint torique sur le calibre de tension de la courroie directement au-dessus du repère de 4,5 kg (10 lb) sur le plongeur, tel qu'illustré.
4. Placez un ruban à mesurer ou une règle à proximité de la courroie d'entraînement tel qu'illustration.



## Inspection de la tension de la courroie d'entraînement

5. Placez la base du support du calibre de tension sur la section inférieure de la courroie d'entraînement, à mi-chemin entre les pignons d'entraînement avant et arrière. À l'aide de la règle ou du ruban à mesurer, mesurez la position de la base du support du calibre de tension. Cette position correspond à la force nulle.
6. Poussez le plongeur vers le haut jusqu'à ce que le petit joint torique entre en contact avec le calibre de tension. Assurez-vous que le calibre de tension est bien installé contre la courroie d'entraînement, et mesurez la position de la base du support du calibre de tension. Cette position représente une force de 4,5 kg (10 lb).
7. Calculez la différence entre le point où la force est nulle et celui où la force est de 4,5 kg (10 lb). Se reporter au tableau à la page 79, pour les spécifications sur la courroie.
8. Le fléchissement de la courroie doit être mesuré et réglé à l'endroit où la courroie est la plus tendue. Mesurez le fléchissement à quatre endroits en tournant la roue de 90 degrés dans le sens avant entre les mesures. Réglez la tension au besoin. Consultez la page 82.

### Renseignements importants sur le fléchissement de la courroie

- Mesurez et réglez le fléchissement de la courroie à l'endroit où elle est plus tendue.
- La courroie et les pignons doivent être propres, secs et à la température ambiante pour obtenir une mesure précise du fléchissement.
- Les ensembles d'abaissement affectent les spécifications de fléchissement de la courroie. Consultez un concessionnaire agréé VICTORY si une trousse d'abaissement a été installée sur votre motocyclette.
- Lorsqu'une nouvelle courroie d'entraînement est installée, le réglage de la tension doit être effectué après les premiers 800 km (500 mi) pour prolonger au maximum la durée de vie de la courroie d'entraînement.

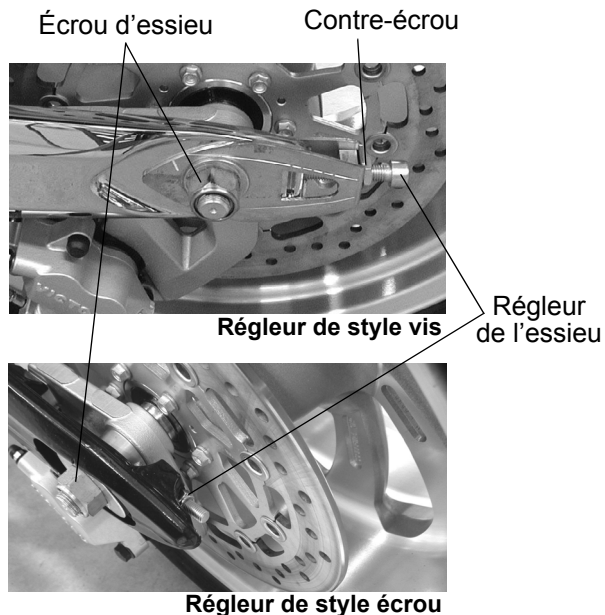
# Entretien

## Réglage de la tension de la courroie d'entraînement

**ATTENTION !** Assurez-vous que la motocyclette est appuyée solidement lorsqu'elle est soulevée. Vous pourriez vous blesser en cas de basculement ou de chute de la motocyclette.

1. Vérifiez l'alignement de la roue avant de régler la tension de la courroie d'entraînement. Consultez la page 85.
2. Desserrez l'écrou de l'essieu arrière qui se trouve du côté gauche de l'essieu. Sur les régleurs de style vis, desserrez le contre-écrou sur les deux régleurs d'essieu, le gauche et le droit.
3. Tournez les régleurs d'essieu d'une distance égale dans le sens horaire (vue de l'arrière) si la roue est alignée ou tournez chaque régleur au besoin pour aligner la roue et obtenir la tension appropriée. Utilisez un outil hexagonal de 8 mm pour les régleurs de style vis.
4. Lorsque l'alignement et le fléchissement de la courroie sont corrects, serrez l'écrou de l'essieu arrière. Serrez le contre-écrou du dispositif de réglage (régleurs de style vis).

**Couple : 88 N·m (65 lb·pi)**



### Réglage de la tension de la courroie d'entraînement

5. Revérifiez le fléchissement de la courroie d'entraînement et l'alignement des roues.
6. Pompez la pédale de frein arrière à plusieurs reprises pour rajuster le jeu des plaquettes de frein.
7. Faites tourner lentement la roue arrière. Si la roue ne tourne pas facilement, vérifiez les roulements de moyeu, l'essieu et les freins. Consultez le *Manuel d'entretien VICTORY* ou votre concessionnaire agréé VICTORY.

## Entretien

### Nettoyage de la courroie d'entraînement

Le nettoyage de la courroie d'entraînement maximisera la durée utile de la courroie et du pignon, et minimisera le bruit de la chaîne cinématique. Nettoyez la courroie après chaque changement de pneu. Nettoyez la courroie plus souvent si vous conduisez dans des endroits sales, poussiéreux ou avec beaucoup de débris.

1. Mélangez quelques gouttes de savon à vaisselle doux dans une tasse d'eau tiède.
2. Utilisez une brosse en nylon souple et de l'eau savonneuse pour nettoyer la courroie et les dents des pignons. Nettoyez à fond dans les coins où les débris de la route et la poussière de la courroie peuvent s'accumuler.
3. Rincez la courroie à l'eau claire et séchez-la complètement.

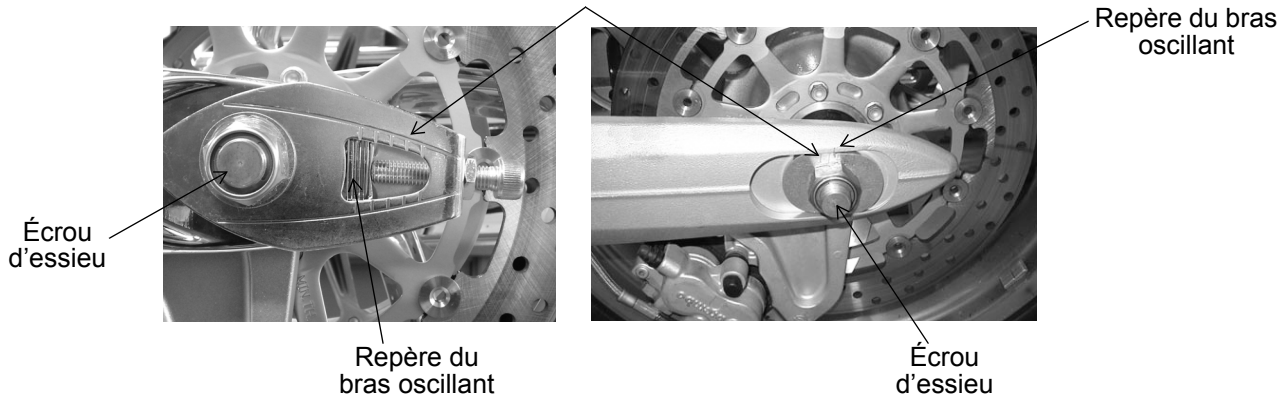
**Conseil :** Ne vérifiez ni ajustez la tension de la courroie d'entraînement lorsque la courroie est mouillée. Vous obtiendrez un réglage inapproprié.

## Alignement de la roue arrière

**AVERTISSEMENT !** Lorsqu'il est déformé, l'essieu arrière peut endommager la courroie d'entraînement, ce qui peut entraîner une défaillance de la courroie et vous faire perdre le contrôle de la motocyclette.

1. Soulevez l'arrière de la motocyclette jusqu'à ce que la roue arrière soit au-dessus du sol. Utilisez un support pour motocyclette approprié ou un bloc de bois ou d'acier placé solidement sous le châssis.
2. Mettez la boîte de vitesses au point mort.
3. Les régleurs d'essieu ou plaques portent des repères estampés servant de référence pour un bon alignement des roues. Vérifiez la position des repères d'alignement situés de chaque côté, par rapport au repère estampé sur le bras oscillant. Les repères doivent avoir la même position du côté gauche et du côté droit de la roue.

Marques estampées





# Entretien

## Alignement de la roue arrière

4. Pour régler l'alignement de la roue arrière, desserrez l'écrou d'essieu arrière d'environ un tour et demi.

**Conseil :** Tournez les dispositifs de réglage d'essieu d'environ 1/16 de tour à la fois et surveillez l'alignement de la roue au fur et à mesure.

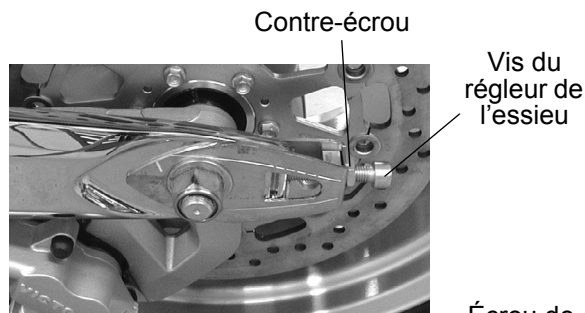
5. Sur les régleurs de style vis : Utilisez une clé de 17 mm pour desserrer le contre-écrou et utilisez ensuite une clé hexagonale de 8 mm pour tourner les vis du régleur d'essieu. Sur les dispositifs de réglage de style écrou : Utilisez une douille longue de 14 mm pour tourner l'écrou de réglage.

6. Sur les deux styles de régleur : Tournez la vis ou l'écrou vers l'intérieur (sens horaire) pour faire reculer l'essieu et vers l'extérieur (sens antihoraire) pour faire avancer l'essieu.

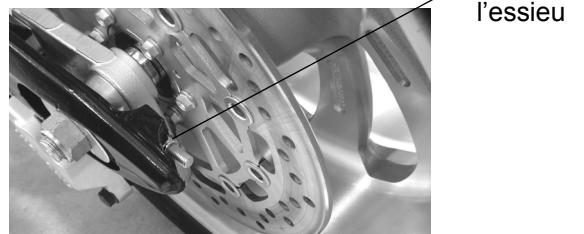
**Conseil :** Si vous tournez les vis du régleur ou les écrous vers l'EXTÉRIEUR (dans le sens antihoraire), poussez la roue et l'essieu vers l'avant pour vous assurer que les extrémités des vis du régleur ou les écrous sont calés sur l'extrémité du bras oscillant, avant de vérifier l'alignement ou le fléchissement de la courroie.

7. Après chaque réglage, revérifiez l'alignement de la roue arrière. Vérifiez au besoin, jusqu'à ce que l'alignement et la tension de la courroie d'entraînement soient corrects. Consultez la page 78.

*(suite à la page suivante)*



Régleur de style vis



Régleur de style écrou

## Alignement de la roue arrière

8. Lorsque la roue est alignée et la tension de la courroie d'entraînement est correcte, serrez le contre-écrou du dispositif de réglage (style vis) et serrez l'écrou d'essieu.

**Couple : 88 N·m (65 lb·pi)**

9. Revérifiez que la tension et l'alignement de la courroie d'entraînement sont encore bons après le serrage de l'axe.

10. Si ce n'est pas le cas, répétez les étapes 4 à 8.

11. Pompez la pédale de frein arrière à plusieurs reprises pour rajuster le jeu des plaquettes de frein.

12. Abaissez la motocyclette avec précaution et appuyez-la sur la béquille latérale.

# Entretien

## Suspension arrière

### Inspection de la précharge de l'amortisseur arrière (hauteur du véhicule)

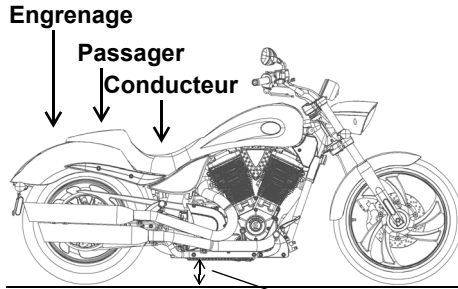
Cette opération s'effectue à l'aide d'une clé PV-43507 de mise en précharge des amortisseurs, une clé à ergots spéciale que vous pouvez vous procurer chez votre concessionnaire. Cet outil a été spécialement conçu pour le réglage de la précharge des ressorts d'amortisseur sur votre motocyclette. La précharge doit être réglée en tenant compte des conditions de charge exactes avant de conduire pour une maniabilité, une sécurité et une qualité de conduite optimales.

Demandez à une personne de vous aider à effectuer la procédure qui suit. Reportez-vous à l'illustration de la page 89.

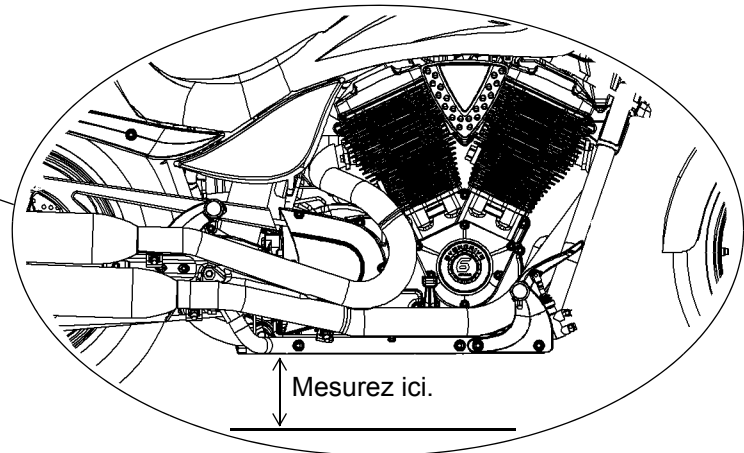
1. Vérifiez que la pression des pneus respecte les spécifications. Consultez la page 110.
  2. Installez sur la motocyclette tous les objets que vous avez l'intention de transporter. La moto à la verticale, prenez place sur la selle du conducteur, en tenue de randonnée. Si vous planifiez transporter un passager, faites asseoir ce passager (avec l'équipement de conduite) sur le siège du passager.
  3. Comprimez la suspension arrière à quelques reprises en appuyant lentement sur la selle et en la relâchant. Assurez-vous que la suspension bouge librement sans coincer.
  4. En mettant votre poids le plus possible sur la selle, demandez à un adjoint de mesurer la distance entre le plancher et la partie plate arrière extrême du berceau du châssis latéral droit.
- Conseil :** La moto à la verticale, la précharge devrait être de 120 mm (4 3/4 po).
5. Si la mesure diffère, réglez la précharge.

## Suspension arrière

Inspection de la précharge de l'amortisseur arrière (hauteur du véhicule)



Spécification de précharge : 120 mm +/- 3 mm  
(4 3/4 po +/- 1/8 po)

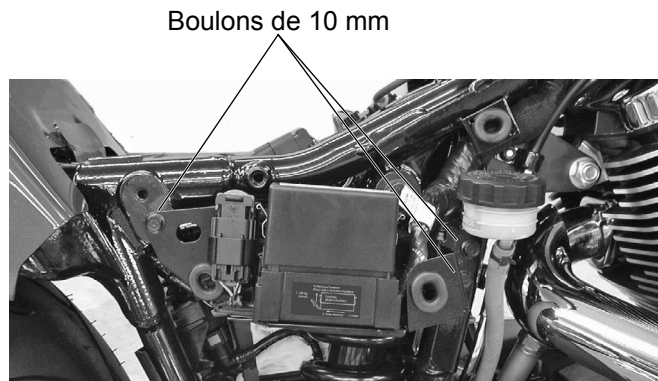


# Entretien

## Suspension arrière

### Réglage de la précharge de l'amortisseur arrière (hauteur du véhicule)

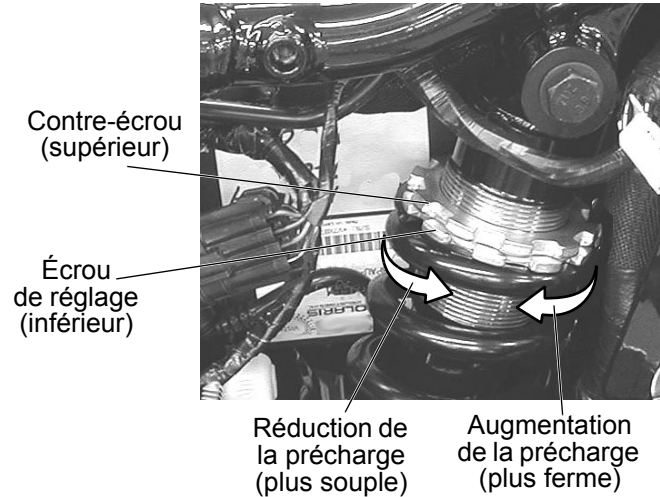
1. Placez la motocyclette sur sa béquille latérale. Retirez le capot latéral droit. Consultez la page 44.
2. Retirez la boîte à fusibles. Consultez la page 122. Assurez-vous que le capuchon du réservoir de liquide de freins arrière est bien fermé pour éviter tout déversement.
3. Retirez les trois boulons de 10 mm servant à fixer le support de boîte à fusibles au châssis.
4. Retirez le connecteur de diagnostic transporté du support de la boîte à fusibles en serrant le verrou du connecteur et en détachant le connecteur. Laissez l'extrémité terminée attachée au support de la boîte à fusibles.
5. Retirez la flèche de faisceau de câbles du support de la boîte à fusibles en faisant glisser le connecteur hors de l'attache à tête de flèche.
6. Retirez et effectuez soigneusement une rotation du support de la boîte à fusibles vers le devant de la motocyclette.



## Suspension arrière

### Réglage de la précharge de l'amortisseur arrière (hauteur du véhicule)

7. L'écrou de serrage supérieur de l'amortisseur est le contre-écrou. L'écrou de serrage inférieur est l'écrou de réglage. Desserrez le contre-écrou en le faisant tourner dans le sens antihoraire (vue du dessus de l'amortisseur) au moyen d'une clé à ergots.
8. Vaporisez un lubrifiant léger sur l'écrou de réglage, au point de contact avec le ressort. Ne mettez PAS de lubrifiant sur la courroie d'entraînement.
9. Réglez la précharge d'amortisseur en tournant l'écrou de réglage dans le sens horaire (vue du haut de l'amortisseur) pour AUGMENTER la précharge (ferme) ou dans le sens antihoraire pour RÉDUIRE la précharge (plus souple).
10. Revérifiez la mesure de la précharge après le réglage.
11. Serrez fermement le contre-écrou sur l'écrou de réglage.
12. Réinstallez le support de la boîte à fusibles et serrez les boulons solidement.
13. Réinstallez la boîte à fusibles et le couvercle latéral droit.



# Entretien

## Suspension arrière

### Inspection du bras oscillant et de l'essieu arrière

1. Prenez place sur la selle du conducteur et faites rebondir la suspension arrière à quelques reprises. Assurez-vous que la suspension bouge librement sans coincer.
2. Soulevez l'arrière de la motocyclette jusqu'à ce que la roue arrière soit au-dessus du sol. Utilisez un support pour motocyclette approprié ou un bloc de bois ou d'acier placé solidement sous le châssis.

**ATTENTION !** Assurez-vous que la motocyclette est appuyée solidement lorsqu'elle est soulevée. Vous pourriez vous blesser en cas de basculement ou de chute de la motocyclette.

3. Saisissez le pneu arrière et tentez de faire bouger la roue arrière vers les côtés.
  - Si l'essieu arrière bouge, inspectez les roulements de roue et l'essieu arrière. Consultez le *Manuel d'entretien VICTORY* ou votre concessionnaire agréé VICTORY.
  - Si vous sentez un mouvement à l'avant du bras oscillant, vérifiez le couple des coussinets de pivot du bras oscillant/roulements et l'écrou d'axe de pivot. Consultez le *Manuel d'entretien VICTORY* ou votre concessionnaire agréé VICTORY.
4. Placez la boîte de vitesses au point mort et faites tourner lentement la roue arrière. Si la roue ne tourne pas en douceur, vérifiez les roulements de roue, l'essieu arrière, le réglage de la courroie et l'alignement des roues. Consultez le *Manuel d'entretien VICTORY* ou votre concessionnaire agréé VICTORY.

## Suspension avant

### Inspection de la fourche avant

1. Placez la motocyclette sur sa béquille latérale et inspectez les fourches avant. Assurez-vous qu'il n'y a pas d'huile de fourche sur les tubes de fourche extérieurs, autour des joints de fourche ou autour des tubes intérieurs.
2. Nettoyez les tubes de fourche pour enlever les insectes, le goudron ou les dépôts susceptibles d'user les joints ou d'entraîner des fuites.
3. Vérifiez la présence d'égratignures ou de dommages causés par des corps étrangers sur les surfaces extérieures des tubes de fourche intérieurs.
4. Enfourchez la motocyclette et positionnez-la à la verticale. Serrez le frein avant et appuyez (avec force) sur le guidon à plusieurs reprises. La suspension avant doit fonctionner en douceur et en silence.
5. L'état et le niveau de l'huile de la fourche affectent le rendement de la suspension avant et l'usure des pièces internes. Remplacez l'huile de la fourche aux intervalles recommandés. Des outils spéciaux sont requis pour exécuter cette procédure. Consultez le *Manuel d'entretien VICTORY* ou votre concessionnaire agréé VICTORY.





# Entretien

## Suspension avant

### Inspection de la direction et de l'essieu avant

1. Soulevez l'avant de la motocyclette jusqu'à ce que la roue avant soit au-dessus du sol. Utilisez un support pour motocyclette approprié ou un bloc de bois ou d'acier placé solidement sous le châssis.

**ATTENTION !** Assurez-vous que la motocyclette est appuyée solidement lorsqu'elle est soulevée. Vous pourriez vous blesser en cas de basculement ou de chute de la motocyclette.

2. Tournez le guidon complètement d'un côté puis complètement de l'autre. Le mouvement doit être aisé sans être lâche. Assurez-vous que les fils, tuyaux et câbles de commande ne nuisent pas à la direction.
3. Positionnez la roue avant bien droit vers l'avant. Saisissez les fourches avant à proximité de l'essieu avant et tentez de faire bouger la roue de l'avant vers l'arrière. Si vous constatez un mouvement de l'avant vers l'arrière au niveau de la tête de direction, il faut inspecter, lubrifier et régler les paliers de la tête de direction. Lubrifiez les paliers de la tête de direction aux intervalles recommandés même s'il n'y a pas de mouvement avant vers arrière de la tête de direction. Consultez le *Manuel d'entretien VICTORY* ou votre concessionnaire agréé VICTORY.
4. Tournez le guidon complètement vers la gauche ou la droite. Saisissez le pneu avant et tentez de faire bouger la roue avant vers les côtés. Si vous constatez un mouvement à l'essieu, inspectez les roulements de roue et l'essieu avant. Consultez le *Manuel d'entretien VICTORY* ou votre concessionnaire agréé VICTORY.
5. Faites tourner lentement la roue avant. Si la roue ne tourne pas facilement, vérifiez les roulements de roue, l'essieu avant et les freins. Consultez le *Manuel d'entretien VICTORY* ou votre concessionnaire agréé VICTORY.

## **Système d'alimentation**

### **Inspection du tuyau de carburant**

Vérifiez que les tuyaux de carburant ne sont pas fissurés ou endommagés. Vérifiez si les raccordements de tuyau au niveau de la pompe à carburant et de la rampe d'alimentation en carburant sont humides ou tachés, ce qui indiquerait une fuite de carburant.

### **Inspection du tuyau de ventilation du carter**

Retirez la selle du conducteur et le réservoir de carburant. Vérifiez si le tuyau de ventilation du carter est fissuré ou endommagé. Vérifiez si les raccordements de tuyau au niveau du filtre à air et du carter sont humides ou tachés, ce qui indiquerait une fuite.

### **Système de contrôle d'émission des vapeurs de carburant (modèles californiens)**

Inspectez tous les raccords et les tuyaux du système de contrôle d'émissions des vapeurs de carburant. Assurez-vous que tous les raccords sont bien serrés. Vérifiez si l'absorbeur de vapeurs de carburant présente des dommages.

# Entretien

## Système d'alimentation

**ATTENTION !** Respectez toujours toutes les procédures de sécurité relatives au carburant lors de l'inspection ou de l'entretien du système d'alimentation. Consultez la page 22.

### Filtres à carburant

L'état du filtre à carburant affecte le rendement du moteur et la consommation de carburant. Les filtres à carburant sont fixés à la pompe à carburant électrique qui se trouve à l'intérieur du réservoir de carburant. Le remplacement requiert des outils spéciaux. Consultez le *Manuel d'entretien VICTORY* ou votre concessionnaire agréé VICTORY.

### Retrait et installation du réservoir de carburant

Avant de commencer, soyez prêt à mettre le réservoir de carburant dans un endroit sécuritaire avec un bac de vidange pour récupérer le carburant qui risque de fuir ou de s'écouler des tuyaux ou des raccords débranchés.

1. Retirez la selle du conducteur.
2. Retirez le couvercle d'accès de la conduite de carburant.
3. Retirez les vis de fixation du réservoir de carburant : deux à l'avant et une à l'arrière.

Couvercle d'accès



## Système d'alimentation

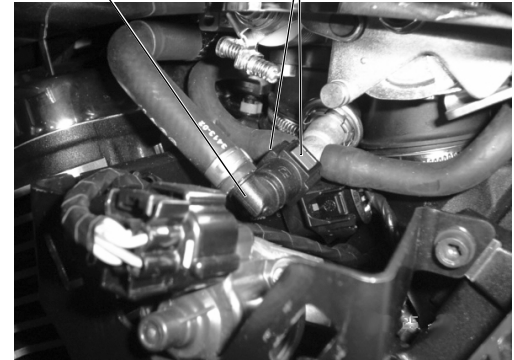
### Retrait et installation du réservoir de carburant

4. Une fois que le moteur et l'échappement sont refroidis, enroulez un linge propre autour du raccord de la conduite de carburant au niveau de la rampe d'alimentation en carburant. Débranchez le raccord de la rampe d'alimentation en carburant en serrant les deux boutons d'ouverture simultanément. Faites glisser lentement le raccord hors de la rampe d'alimentation en carburant.

**AVIS :** Le carburant peut endommager les pièces en plastique et les surfaces peintes. Essayez immédiatement le carburant renversé à l'aide d'un linge doux, sec et propre.

5. Soulevez le réservoir de carburant et débranchez le faisceau de fils de la pompe à carburant situé à l'arrière du réservoir. Sur le côté arrière gauche du réservoir, débranchez le tuyau d'entrée d'air de ventilation du réservoir (modèles pour la Californie) et la conduite de vidange d'eau.
6. Retirez avec soin le réservoir de carburant. Assurez-vous de récupérer le carburant qui s'écoule dans un contenant approprié.
7. Pour réinstaller le réservoir de carburant, inversez les étapes du retrait et acheminez le tuyau d'alimentation en carburant à la droite du tuyau du reniflard.
8. Réinstallez le raccord de la conduite de carburant sur la rampe d'alimentation en carburant en glissant le raccord rapide sur le connecteur de la rampe d'alimentation en carburant jusqu'à ce que vous entendiez un clic.
9. Remettez en place les vis de montage du réservoir de carburant.  
**Couple : 47,5 N·m (35 lb·pi)**
10. Réinstallez le couvercle d'accès de la conduite de carburant. Réinstallez la selle en place.

Raccord de la conduite de carburant      Boutons d'ouverture



## Entretien

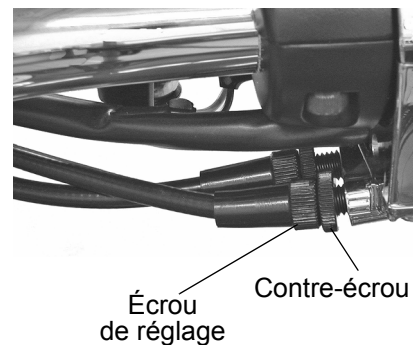
### Système d'accélération

Faites réparer le système d'accélération si l'accélérateur ne fonctionne pas en douceur, si la poignée d'accélérateur ne revient pas correctement ou si les extrémités de câbles sont effilochées. Consultez le *Manuel d'entretien VICTORY* ou votre concessionnaire agréé VICTORY.

#### Réglage du jeu libre de la commande d'accélérateur

Le jeu libre de la commande d'accélérateur correspond au mouvement de la poignée de commande d'accélérateur entre la position initiale et le point de résistance du câble. Mesurez cette distance. Le jeu libre devrait être entre 2 et 4 mm. Réglez le jeu libre de la commande d'accélérateur, au besoin.

1. Tenez les écrous de réglage de manière fixe et desserrez les contre-écrous sur les deux câbles. Tournez les contre-écrous le plus loin possible des écrous de réglage.
2. Tournez les deux écrous de réglage le plus possible vers les contre-écrous pour obtenir un jeu maximal sur les deux câbles.
3. Tournez le régleur du câble d'ouverture de l'accélérateur (câble avant) en l'éloignant du contre-écrou jusqu'à ce que le jeu libre de la commande d'accélérateur soit entre 2 et 4 mm.



## Système d'accélération

### Réglage du jeu libre de la commande d'accélérateur

4. Pour régler le câble de fermeture (câble arrière), déplacez la poignée de la commande d'accélérateur dans un mouvement continu de va-et-vient tout en tournant lentement le régleur vers l'extérieur jusqu'à ce que le jeu libre disparaisse. Tournez ensuite le régleur d'un tour complet vers l'intérieur.
5. Tournez les contre-écrous sur les deux câbles jusqu'à ce qu'ils soient appuyés contre les écrous de réglage. Tenez chaque écrou de réglage et serrez chaque contre-écrou fermement.
6. Mesurez le jeu libre de la commande d'accélérateur.
7. Démarrez le moteur avec la boîte de vitesses au point mort. Tournez le guidon complètement vers la gauche et vers la droite. *Le régime ralenti du moteur ne devrait pas changer.* Si le régime ralenti change, vérifiez si le câble est endommagé ou incorrectement acheminé ou réglé.

### Lubrification du câble d'accélérateur

Lubrifiez les extrémités du câble aux intervalles recommandés dans le tableau d'entretien périodique commençant à la page 72.

**AVIS :** Les enveloppes externes sont lubrifiées à l'usine. Une lubrification supplémentaire pourrait nuire à la performance du câble. Vérifiez si l'acheminement est approprié et le mouvement est aisé. Vérifiez si l'enveloppe externe est endommagée et si les câbles exposés sont effilochés, pliés ou corrodés. Remplacez tous les câbles endommagés, collants ou lâches.

1. Débranchez le câble sur le corps du papillon.
2. Appliquez une légère couche de graisse universelle VICTORY ou équivalente sur l'extrémité du corps.
3. Rebranchez le câble et réglez le jeu libre au besoin.

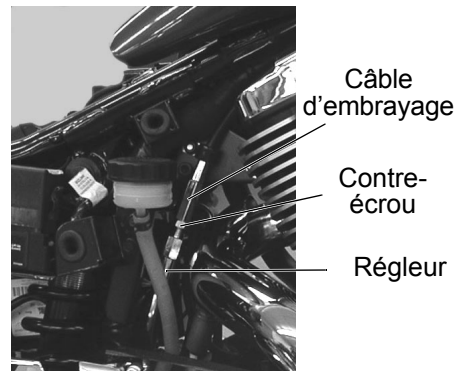
# Entretien

## Embrayage (mécanique)

### Jeu libre du levier d'embrayage mécanique

1. Retirez le capot latéral droit.
2. Tenez le câble d'embrayage et desserrez le contre-écrou du dispositif de réglage.
3. Pendant que vous tenez le câble, tournez le dispositif de réglage du câble vers l'intérieur ou l'extérieur jusqu'à ce que le jeu libre du levier d'embrayage se trouve entre 0,5 et 1,5 mm.
4. Pendant que vous tenez le câble, serrez le contre-écrou du dispositif de réglage solidement.
5. Réinstallez le couvercle latéral droit.
6. Vérifiez si le contacteur de sécurité fonctionne correctement.  
Le moteur ne doit pas démarrer en prise lorsque le levier d'embrayage est relâché.

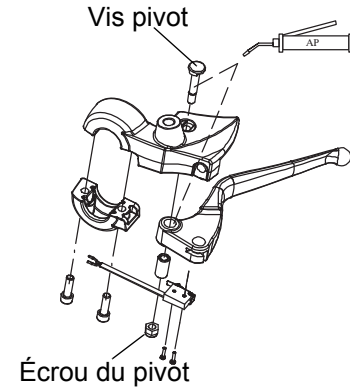
**Conseil :** Le verrouillage du démarreur dépend du bon réglage du jeu libre du levier d'embrayage pour assurer la commande du contacteur de sécurité d'embrayage.



## Embrayage (mécanique)

### Lubrification du levier d'embrayage mécanique

1. Retirez le capot latéral droit. Desserrez le contre-écrou du dispositif de réglage du câble d'embrayage.
2. Tournez le dispositif de réglage du câble complètement vers l'intérieur pour fournir un jeu libre du levier maximal.
3. Retirez l'écrou du pivot et la vis du levier d'embrayage. Débranchez le câble d'embrayage du levier d'embrayage.
4. Enlevez la vieille graisse et la saleté du levier et du boîtier. Lubrifiez le levier d'embrayage et la vis du pivot avec de la graisse d'assemblage de molybdène VICTORY ou de la graisse tout usage VICTORY.
5. Reconnectez le câble d'embrayage. Réinstallez le levier, la vis de pivot et l'écrou. Retenez la vis et serrez l'écrou à un couple de 5 N·m (40 lb·po).
6. Réglez le jeu libre du levier d'embrayage. Consultez la page 100.





## Entretien

### Embrayage (mécanique)

#### Lubrification du câble d’embrayage mécanique

Lubrifiez les extrémités du câble aux intervalles recommandés dans le tableau d’entretien périodique commençant à la page 72.

**AVIS** : Les enveloppes externes sont lubrifiées à l’usine. Une lubrification supplémentaire pourrait nuire à la performance du câble.

Vérifiez si l’acheminement est approprié et le mouvement est aisé. Vérifiez si l’enveloppe externe est endommagée et si les câbles exposés sont effilochés, pliés ou corrodés. Remplacez tous les câbles endommagés, collants ou lâches.

1. Débranchez le câble au niveau du levier d’embrayage et du couvercle principal.
2. Lubrifiez les extrémités de la bille et du corps avec de la graisse tout usage VICTORY ou équivalente.
3. Rebranchez le câble et réglez le jeu libre au besoin.

## Embrayage (hydraulique) Fluide d'embrayage hydraulique

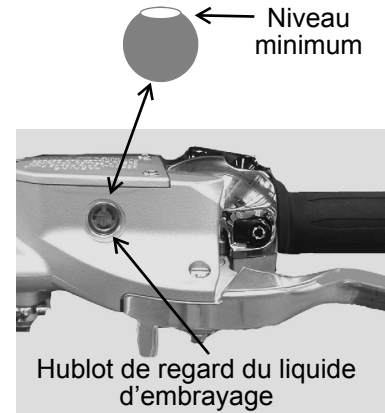
Vérifiez le niveau du liquide d'embrayage hydraulique. Consultez la page 56. Le niveau du liquide devrait se situer à la hauteur de la partie supérieure du hublot de regard ou au-dessus. Faites l'appoint de liquide selon le besoin. Remplacez le liquide brumeux ou contaminé.

Utilisez du liquide de freins D.O.T. 4 dans le réservoir de l'embrayage hydraulique. N'utilisez que du liquide provenant d'un contenant propre et hermétique.

Ne serrez pas l'embrayage lorsque le couvercle du réservoir est enlevé. Le liquide pourrait déborder du réservoir et provoquer une infiltration d'air dans le circuit hydraulique.

**AVERTISSEMENT !** L'utilisation d'un liquide inapproprié ou l'entrée d'air ou de contaminants dans le système hydraulique peuvent endommager les joints du système ou causer une défaillance qui pourrait provoquer des blessures graves ou la mort.

1. Enfourchez la motocyclette et positionnez-la à la verticale. Positionnez le guidon afin que le réservoir de liquide soit au niveau.
2. Essuyez avec un linge propre le contenant de liquide et la partie autour du couvercle du réservoir.
3. Retirez le couvercle et le joint du réservoir.
4. Ajoutez avec soin le liquide au niveau recommandé.
5. Remettez en place le joint et le couvercle du réservoir.

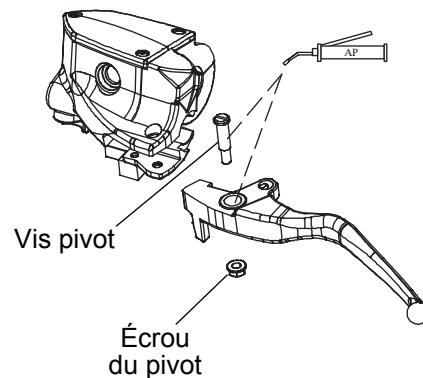


# Entretien

## Embrayage (hydraulique)

### Lubrification du levier d'embrayage hydraulique

1. Retirez l'écrou du pivot et la vis du levier d'embrayage.
2. Enlevez la vieille graisse et la saleté du levier et du boîtier.
3. Lubrifiez le levier d'embrayage et la vis du pivot avec de la graisse d'assemblage de molybdène VICTORY ou de la graisse tout usage VICTORY.
4. Réinstallez le levier, la vis de pivot et l'écrou. Serrez la vis de pivot à un couple de 1 N·m (9 lb·po). Serrez l'écrou à un couple de 6 N·m (52 lb·po).



## Systèmes de freinage

### Liquide de freins avant

Vérifiez le niveau du liquide de freins avant. Consultez la page 51. Le niveau du liquide devrait se situer à la hauteur de la partie supérieure du hublot de regard ou au-dessus. Faites l'appoint de liquide selon le besoin. Remplacez le liquide brumeux ou contaminé.

Utilisez du liquide de freins D.O.T. 4 dans le réservoir du liquide de freins. N'utilisez que du liquide provenant d'un contenant propre et hermétique.

Ne serrez pas le frein lorsque le couvercle du réservoir est enlevé. Le liquide pourrait déborder du réservoir et provoquer une infiltration d'air dans le circuit hydraulique.

**AVERTISSEMENT !** L'utilisation d'un liquide inapproprié ou l'entrée d'air ou de contaminants dans le système hydraulique peuvent endommager les joints du système ou causer une défaillance qui pourrait provoquer des blessures graves ou la mort.

1. Enfourchez la motocyclette et positionnez-la à la verticale. Positionnez le guidon afin que le réservoir de liquide soit au niveau.
2. Essuyez avec un linge propre le contenant de liquide et la partie autour du couvercle du réservoir.

**AVIS :** Le liquide de freins endommagera les surfaces peintes et les pièces en matière plastique. Nettoyez toujours immédiatement avec de l'eau et du détergent doux le liquide de freins répandu.

3. Retirez le couvercle et le joint du réservoir.
4. Ajoutez avec soin le liquide au niveau recommandé.
5. Remettez en place le joint et le couvercle du réservoir.

# Entretien

## Systèmes de freinage

### Liquide de freins arrière

Vérifiez le niveau du liquide de freins arrière. Consultez la page 53. Le niveau du liquide devrait être entre les repères minimum et maximum sur le réservoir. Faites l'appoint de liquide selon le besoin. Remplacez le liquide brumeux ou contaminé.

Utilisez du liquide de freins D.O.T. 4 dans le réservoir du liquide de freins. N'utilisez que du liquide provenant d'un contenant propre et hermétique.

Ne serrez pas le frein lorsque le couvercle du réservoir est enlevé. Le liquide pourrait déborder du réservoir et provoquer une infiltration d'air dans le circuit hydraulique.

**AVERTISSEMENT !** L'utilisation d'un liquide inapproprié ou l'entrée d'air ou de contaminants dans le système hydraulique peuvent endommager les joints du système ou causer une défaillance qui pourrait provoquer des blessures graves ou la mort.

1. Fixez solidement la motocyclette en position verticale avec un appareil de levage pour motocyclette approprié.
2. Retirez le capot latéral droit.
3. Essuyez avec un linge propre le contenant de liquide et la partie autour du couvercle du réservoir.

**AVIS :** Le liquide de freins endommagera les surfaces peintes et les pièces en matière plastique. Nettoyez toujours immédiatement avec de l'eau et du détergent doux le liquide de freins répandu.

4. Retirez le couvercle et le joint du réservoir.
5. Ajoutez avec soin le liquide au niveau recommandé.
6. Remettez en place le joint et le couvercle du réservoir.
7. Réinstallez le couvercle latéral droit.

## Systèmes de freinage

### Lubrification du levier de frein

Lubrifiez aux intervalles recommandés dans le tableau d'entretien périodique commençant à la page 72.

1. Retirez le rétroviseur latéral droit.
2. Retirez l'écrou du pivot du levier de frein (clé ou douille de 10 mm) et la tige (clé hexagonale de 4 mm).

**Conseil :** Notez la direction de l'installation du plongeur (si vous l'enlevez). Une direction appropriée est essentielle au fonctionnement du frein.

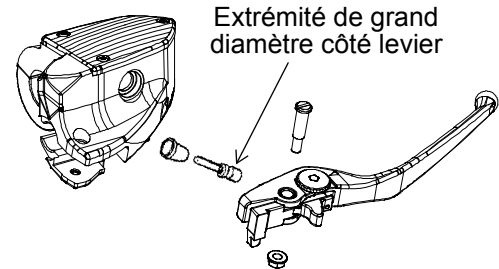
3. Enlevez la vieille graisse et la saleté du levier et du boîtier.
4. Lubrifiez le levier et le tourillon avec de la graisse tout usage VICTORY ou équivalente.
5. Réinstallez le levier et le tourillon.

**Couple : 6 N·m (52 lb·po)**

6. Réinstallez l'écrou du pivot.

**Couple : 6 N·m (52 lb·po)**

7. Vérifiez la course du levier de frein avant. Consultez la page 50.
8. Réinstallez et réglez le rétroviseur latéral droit.



# Entretien

## Systèmes de freinage

### Conduites de freins

Vérifiez si les raccords et les tuyaux de freins sont humides ou présentent des taches de fuites ou de liquide de freins séché. Serrez tous les raccords qui fuient et remplacez les pièces au besoin. Serrez les fixations selon les spécifications. Consultez le *Manuel d'entretien VICTORY* ou votre concessionnaire agréé VICTORY.

### Plaquettes de frein

Vérifiez l'épaisseur de la plaquette de frein avant et arrière. Remplacez les plaquettes de frein lorsque les lignes d'usure ne sont plus visibles ou lorsque la plaquette mesure 1,5 mm d'épaisseur.

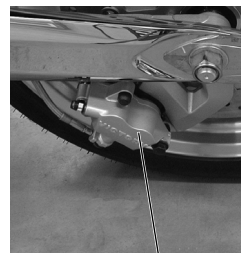
La plaquette renforcée doit être installée sur le côté de l'étrier sans piston. Consultez le *Manuel d'entretien VICTORY* ou votre concessionnaire agréé VICTORY.

### Disques de frein

Vérifiez si les disques de frein présentent des entailles, des rayures, des fissures ou autres dommages. Inspectez l'épaisseur de chaque disque de frein à quatre endroits ou plus autour du disque. L'épaisseur minimale est estampée sur le moyeu intérieur du disque. Si un disque est usé jusqu'à son épaisseur minimale au point le plus mince ou si un disque est endommagé, consultez votre concessionnaire VICTORY pour le remplacer.



Plaquette de frein avant



Plaquette de frein arrière



Lignes d'usure

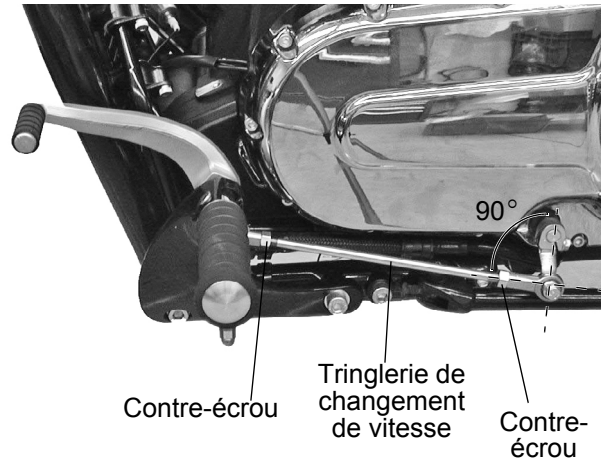
## Pédale de changement de vitesse

Ne déposez ni repositionnez le bras de changement de vitesse sur l'arbre de changement de vitesse dans le but de régler la hauteur de la pédale de changement de vitesse. Un angle de  $90^{\circ} \pm 5^{\circ}$  est nécessaire entre le bras de changement de vitesse et la tringlerie afin d'obtenir un fonctionnement approprié de la tringlerie de changement de vitesse.

1. Desserrez les écrous de blocage de la tringlerie de changement de vitesse.
2. Tournez la tringlerie vers l'intérieur ou l'extérieur au besoin.
3. Serrez les écrous de blocage de la tringlerie.
4. Vérifiez la hauteur de la pédale de changement de vitesse.

## Roues

Vérifiez la présence de fissures ou de dommages sur les deux roues et remplacez les roues endommagées sans tarder. N'utilisez pas la motocyclette lorsque les roues sont endommagées ou fissurées. Consultez le *Manuel d'entretien VICTORY* ou votre concessionnaire agréé VICTORY.





# Entretien

## Pneus

### **⚠ AVERTISSEMENT**

L'utilisation de la motocyclette avec des pneus inappropriés ou une pression des pneus inappropriée ou inégale peut causer une perte de contrôle ou un accident. Utilisez toujours des pneus de la dimension et du type appropriés et spécifiés pour votre véhicule. Maintenez toujours la bonne pression des pneus recommandée dans le manuel d'utilisation et sur les étiquettes de sécurité.

### Pression des pneus

La conduite a pour effet de réchauffer les pneus et d'en accroître la pression d'air. Pour une lecture précise, vérifiez la pression des pneus avant la conduite. Modifiez la pression des pneus tel que recommandé en fonction du poids total de votre charge prévue (consultez le tableau).

**AVERTISSEMENT !** Ne dépassez pas la pression de gonflage maximale recommandée pour appuyer le talon. Vous pourriez endommager le pneu ou la jante.

Emplacement	Dimension	Marque	Type	Pression d'air recommandée	
				Charges jusqu'à 91 kg (200 lb)	Charges jusqu'à la charge maximale
<b>VEGAS JACKPOT</b>					
Avant	90/90 2154H	Dunlop	Elite 3	248 kPa (36 lb/po <sup>2</sup> )	262 kPa (38 lb/po <sup>2</sup> )
Arrière	250/40R18 81V	Dunlop	Elite 3	262 kPa (38 lb/po <sup>2</sup> )	283 kPa (41 lb/po <sup>2</sup> )
<b>NESS JACKPOT</b>					
Avant	90/90 21 54H	Dunlop	Elite 3	248 kPa (36 lb/po <sup>2</sup> )	262 kPa (38 lb/po <sup>2</sup> )
Arrière	250/40R18 81V	Dunlop	Elite 3	262 kPa (38 lb/po <sup>2</sup> )	283 kPa (41 lb/po <sup>2</sup> )

## Pneus

### État des pneus

Vérifiez si les parois, la surface de contact avec la chaussée et la bande de roulement des pneus présentent des coupures, des perforations et des fissures. Remplacez les pneus endommagés immédiatement. Consultez le *Manuel d'entretien VICTORY* ou votre concessionnaire agréé VICTORY.

### Profondeur de sculpture de pneu

Les parties surélevées de la bande de roulement, appelées barres d'usure, sont des indicateurs facilement visibles de la profondeur des sculptures de pneu. Lorsque la surface de contact avec la chaussée est usée jusqu'à la partie supérieure des barres d'usure, remplacez le pneu.

Pour une mesure plus précise, utilisez un profondimètre ou une règle de précision pour mesurer la profondeur au centre de la bande de roulement du pneu. Remplacez le pneu si la profondeur de sculpture est inférieure à 1,6 mm (1/16 po).



# Entretien

## Bougies

### Recommandations concernant les bougies

Remplacez les bougies aux intervalles recommandés dans le tableau d'entretien périodique commençant à la page 72. Remplacez toujours les deux bougies à la fois.

Spécifications des bougies	
Type de bougie	NGK DCPR6E
Écartement des électrodes de bougie	0,8 à 0,9 mm (0,031 à 0,035 po)
Couple de serrage de la bougie	14,6 à 19,7 N·m (10,8 à 14,5 lb·pi)

### Inspection de la bougie

**ATTENTION !** Portez une visière lorsque vous utilisez de l'air comprimé.

1. Assurez-vous que le moteur est à la température ambiante.
2. Débranchez les fils des bougies en les tirant vers le haut sur les couvre-bornes de bougie.
3. Pour empêcher l'infiltration de débris dans le moteur par l'orifice de la bougie, utilisez de l'air comprimé pour nettoyer la région autour de chaque bougie avant de les enlever.
4. Retirez la bougie de la culasse à l'aide d'une douille à bougie de 5/8 po.



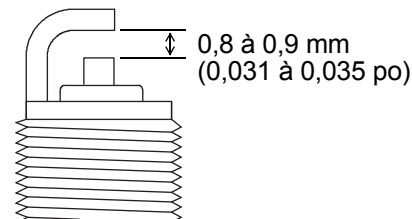
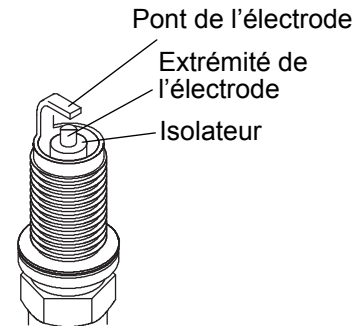
## Bougies

### Inspection de la bougie

**Conseil** : Les deux bougies doivent présenter des dépôts de la même couleur havane pâle ou moyen sur l'isolateur autour de l'extrémité de l'électrode. L'extrémité et le pont de l'électrode doivent présenter des bords tranchants à angle droit.

5. Si les bougies sont en bon état et leur remplacement n'est pas requis, nettoyez-les avec une brosse à soies dures non métalliques, réglez l'espace à l'aide d'un outil d'écartement des électrodes, nettoyez la surface d'ajustement sur la culasse et installez la bougie avec une douille de bougie. Rebranchez les deux fils des bougies.

**Conseil** : Les bougies ayant des dépôts blanc éclatant ou noir suie ou des isolateurs ou électrodes endommagés peuvent indiquer des problèmes de moteur. Si ces conditions sont présentes ou si l'état d'une bougie diffère grandement des autres, consultez votre *Manuel d'entretien VICTORY* ou votre concessionnaire agréé VICTORY.



# Entretien

## Compression du moteur

Vérifiez la compression du moteur périodiquement pour documenter l'usure et l'état du moteur. Pour connaître les procédures de vérification de la compression du moteur ainsi que les outils spéciaux requis, consultez le *Manuel d'entretien VICTORY* ou un concessionnaire agréé VICTORY.

## Système d'échappement

Vérifiez si le système d'échappement présente des taches attribuables à une fuite de gaz d'échappement. Remplacez les joints de collecteur d'échappement endommagés ou qui fuient. Consultez le *Manuel d'entretien VICTORY* ou votre concessionnaire agréé VICTORY.

Vérifiez toutes les fixations du système d'échappement.

1. Serrez les écrous à embase du collecteur d'échappement.

**Couple : 16 N·m (12 lb·pi)**

2. Serrez les vis de montage du silencieux.

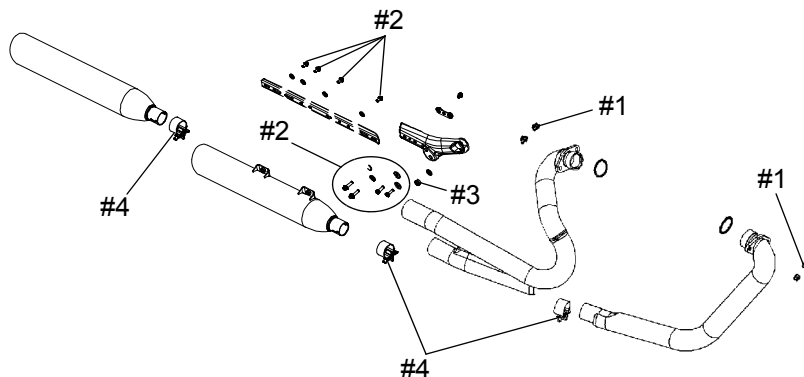
**Couple : 24,5 N·m (18 lb·pi)**

3. Serrez l'écrou du support.

**Couple : 47,5 N·m (35 lb·pi)**

4. Serrez les colliers du silencieux.

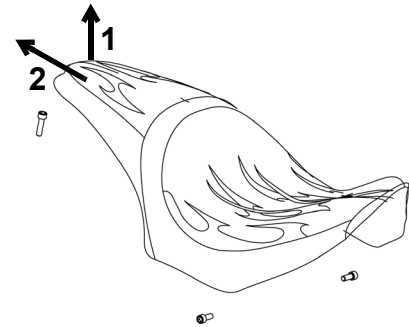
**Couple : 42 N·m (31 lb·pi)**



## Retrait de la selle

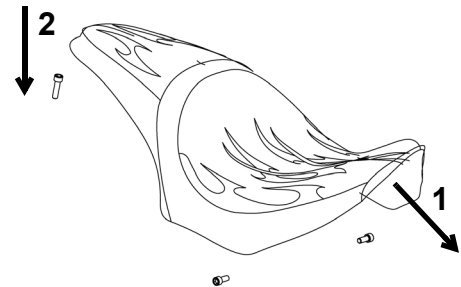
**AVERTISSEMENT !** Une selle non verrouillée pourrait entraîner un changement brusque de votre position de conduite, ce qui vous ferait perdre le contrôle de la motocyclette. Il faut toujours vous assurer que les selles sont bien installées avant d'effectuer une randonnée.

1. Retirez les couvercles latéraux.
2. Au besoin, retirez la boîte à fusibles du support.
3. Retirez les trois vis qui retiennent la selle au châssis.
4. Soulevez l'arrière de la selle et tirez vers l'arrière et vers le haut pour la retirer.



## Installation de la selle

1. Glissez la languette de la selle dans la pièce de fixation en caoutchouc à l'arrière du réservoir de carburant. Poussez vers le bas l'arrière de la selle jusqu'à ce que les trous de vis soient alignés.
2. Assurez-vous que la pièce de fixation de la selle avant est enclenchée dans la pièce de fixation en caoutchouc avant et ensuite, installez les vis et serrez-les solidement.
3. Réinstallez la boîte à fusibles (si retirée).
4. Réinstallez les couvercles latéraux.



## Entretien Batterie

La batterie de la motocyclette est une batterie scellée qui n'exige aucun entretien. Ne déposez pas le capuchon de la batterie pour quelque raison que ce soit. Gardez les raccords de batterie propres et bien serrés en tout temps.

### **⚠ AVERTISSEMENT**

**L'électrolyte de la batterie est toxique.** Il contient de l'acide sulfurique. Tout contact avec la peau, les yeux ou les vêtements peut causer de graves brûlures.

Antidote :

**Externe** : Rincez à grande eau.

**Interne** : Buvez de grandes quantités d'eau ou de lait. Buvez ensuite du lait de magnésie, un œuf battu ou de l'huile végétale. Appelez un médecin immédiatement.

**Yeux** : Rincez à grande eau pendant 15 minutes et demandez rapidement des soins médicaux.

**Les batteries pourraient produire des gaz explosifs.**

- Éloignez-en les étincelles, les flammes, les cigarettes, etc.
- Ventilez lors de la charge ou de l'utilisation de la batterie dans un endroit clos.
- Protégez toujours les yeux lors du travail à proximité des batteries.
- GARDEZ HORS DE LA PORTÉE DES ENFANTS.

## Batterie

### Retrait de la batterie

1. Retirez la selle et le couvercle latéral gauche.
2. Retirez les écrous de retenue du couvercle de la batterie et retirez le couvercle.

**AVERTISSEMENT !** Un mauvais raccordement ou débranchement des câbles de batterie peut mener à une explosion et entraîner des blessures graves ou la mort. Lors du retrait de la batterie, débranchez toujours le câble négatif (noir) en premier. Lors de la remise en place de la batterie, branchez toujours le câble négatif (noir) en dernier.

3. Débranchez d'abord les câbles négatifs (-) de la batterie (les câbles noirs avec les extrémités exposées).
4. Débranchez les câbles positifs (+) (les extrémités de câble sont recouvertes d'un couvre-borne rouge).
5. Levez le dessus de la batterie jusqu'à ce que le rebord avant inférieur ne soit plus en contact avec le support de batterie. Retirez la batterie tout droit. Si nécessaire, repositionnez le câble positif pour lever la partie supérieure de la batterie.



# Entretien

## Batterie

### Charge de la batterie

1. Nettoyez l'oxydation sur les bornes et les connecteurs des câbles de la batterie avec une brosse métallique. Lavez les bornes et les connecteurs de câble avec une solution constituée d'un volume de bicarbonate de soude dans 16 volumes d'eau. Rincez ensuite à l'eau fraîche et essuyez. Appliquez une mince couche de graisse diélectrique sur les bornes et les connecteurs des câbles.
2. Selon les directives du fabricant du chargeur, utilisez un chargeur de batterie auxiliaire ou un chargeur conçu pour des batteries de 12 V. Le chargeur doit présenter un régime de charge maximum de 1,8 A. Rechargez la batterie pendant environ dix heures à un régime de 1,8 A. Si vous utilisez un chargeur à régime lent, la batterie mettra plus de temps à se recharger.
3. Après avoir chargé la batterie, attendez une à deux heures avant de vérifier la charge avec un voltmètre à courant continu. La charge doit être d'au moins 12,5 V c.c. Répétez la procédure de recharge si la charge est inférieure à 12,5 V c.c. Remplacez la batterie si elle n'atteint pas 12,5 V après la deuxième charge.

**Conseil :** Un chargeur d'entretien accessoire est disponible chez votre concessionnaire agréé VICTORY.

## Batterie

### Installation de la batterie

1. Avant d'installer la batterie, assurez-vous qu'elle est complètement chargée et propre.
2. Glissez la batterie en place dans le bac, en mettant la borne positive (+) vers l'arrière de la motocyclette.

**AVIS :** Si vous branchez les câbles de batterie sur les mauvaises bornes, vous pourriez causer de graves dommages au système électrique.

3. Branchez les câbles positifs (+) de la batterie, serrez fermement et installez le couvre-borne rouge.
4. Branchez les câbles négatifs (-) et serrez fermement. Vérifiez que le dégagement des câbles par rapport au capot latéral est suffisant.
5. Réinstallez le couvercle de la batterie.
6. Réinstallez le capot latéral gauche.

# Entretien

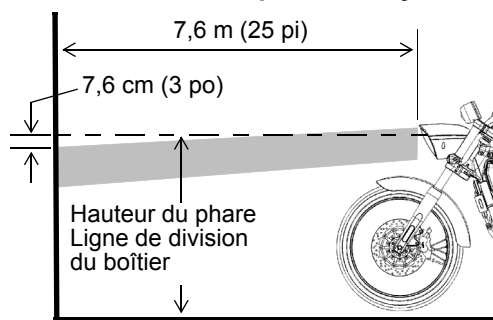
## Inspection de l'orientation du phare

**Phares de type fuseau :** Le rebord supérieur du feu de route doit se situer à 7,6 cm (3 po) sous la hauteur de la ligne de division du boîtier de phare et être centré directement vers l'avant à 7,6 m (25 pi).

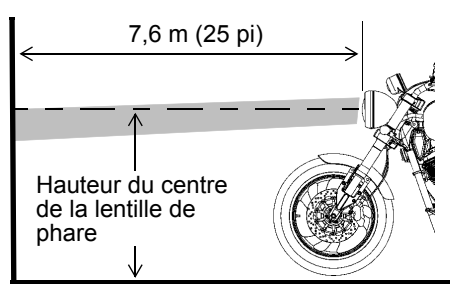
**Phares de type circulaire :** Le rebord supérieur du feu de croisement doit être à la même hauteur que le centre de la lentille du phare et centré directement vers l'avant à 7,6 m (25 pi).

1. Vérifiez que la pression des pneus respecte les spécifications. Consultez la page 110.
2. Vérifiez si la hauteur de conduite de la suspension arrière (précharge) est conforme aux spécifications. Vous devez inclure le poids du conducteur, du passager (s'il y a lieu) et de la charge lors du réglage de la précharge. Consultez la page 88.
3. Positionnez la motocyclette sur une surface de niveau et avec le phare à environ 7,6 m (25 pi) d'un mur.
4. Lorsque le conducteur et le passager (s'il y a lieu) sont montés sur la motocyclette, placez-la en position verticale.
5. Tournez le commutateur d'allumage à la position marche (ON) et allumez le phare au feu de route. Observez la zone lumineuse créée par le faisceau projeté par le phare sur le mur.
6. Effectuez les réglages requis pour l'orientation du phare.

### Feu de route du phare de style



### Feu de croisement du phare



## Réglage de l'orientation du phare

1. Pour régler le faisceau de phare verticalement, tenez le phare solidement pendant que vous desserrez le boulon de réglage. Réglez le phare et tenez-le fermement en place tout en serrant le boulon.

**Couple : 47,5 N·m (35 lb·pi)**

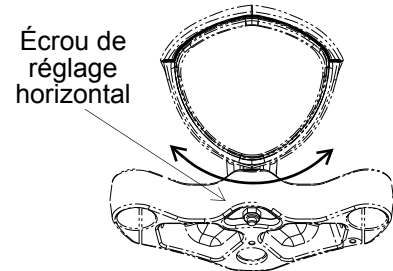
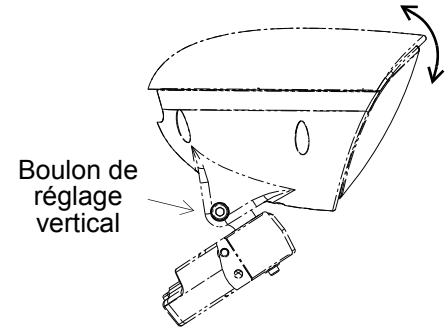
2. Pour régler le phare horizontalement, desserrez l'écrou de réglage horizontal. Réglez le phare et tenez-le fermement en place tout en serrant l'écrou.

**Couple : 38 N·m (28 lb·pi)**

3. Vérifiez la bonne hauteur du faisceau du phare. Réglez de nouveau au besoin.

## Remplacement de l'ampoule du phare

Les voyants à éclairage à haute intensité doivent être manipulés seulement par un technicien qui a reçu la formation et qui porte l'équipement de protection approprié. Consultez le *Manuel d'entretien VICTORY* ou un concessionnaire agréé VICTORY.



# Entretien

## Remplacement des fusibles

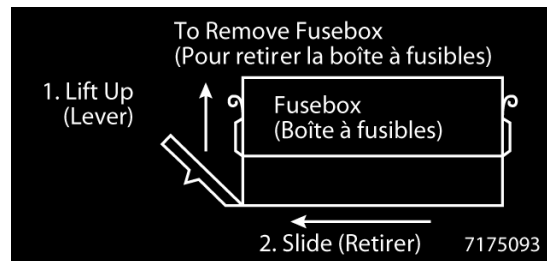
1. Retirez le capot latéral droit.
2. Levez la languette de déclenchement et glissez la boîte à fusibles vers l'arrière pour la retirer du support. Dégagez les languettes qui se trouvent de chaque côté du couvercle de la boîte à fusibles et déposez le couvercle.
3. Retirez le fusible grillé et installez solidement le fusible neuf.
4. Remettez en place le couvercle de la boîte à fusibles en orientant les deux encoches vers l'avant de la motocyclette.
5. Réinstallez la boîte à fusibles et le couvercle latéral.

**AVIS :** Utilisez les fusibles du calibre recommandé pour éviter d'endommager le système électrique.



Languette de déclenchement

Recommandations concernant les fusibles	
Application du fusible	Dimension du fusible
Moteur/module de commande électronique (ECM)	15 A
Pompe à carburant	10 A
Phare/feu d'arrêt	20 A
Feu arrière, clignotants, voyant, klaxon	15 A
Allumage/indicateurs	15 A
Fusible accessoire (en cas d'urgence) (La motocyclette fonctionnera sans le fusible.)	15 A

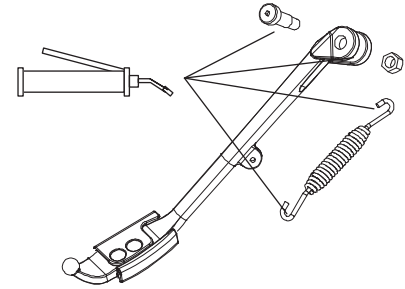


## Lubrification de la béquille latérale

1. Positionnez solidement la motocyclette en position verticale au moyen d'un support pour motocyclette approprié ou d'un bloc de bois ou d'acier solidement placé sous le châssis.
2. Ramenez la béquille latérale à sa position de rangement verticale.

**ATTENTION !** Portez une visière. Le ressort de rappel de la béquille est soumis à une tension et pourrait vous blesser aux yeux ou au visage en se libérant.

3. Retenez l'écrou et retirez le boulon de pivot et le ressort de rappel de la béquille latérale.
4. Essuyez la vieille graisse et la saleté sur la béquille, le châssis et le boulon de pivot.
5. Lubrifiez la béquille latérale, le boulon de pivot et les extrémités du ressort avec de la graisse tout usage VICTORY ou l'équivalent.
6. Réinstallez le ressort de la béquille latérale et placez la béquille sur le bossage de montage, en position de rangement verticale.
7. Installez le boulon de pivot et serrez-le tout en retenant l'écrou.  
**Couple : 47 N·m (35 lb·pi)**
8. Vérifiez si la béquille latérale se déplace librement dans sa plage d'articulation.



## **Entretien**

### **Outil universel**

L'outil universel se trouve dans un étui sous le couvercle latéral gauche. L'outil universel est une combinaison de clé hexagonale de 6 mm et de pointe de tournevis Philips. Il peut servir à faire l'entretien de ce qui suit (le cas échéant) :

- Bouchon de vidange d'huile
- Filtre à air
- Ampoule du phare
- Fixations d'accessoires
- Ampoules des voyants/des clignotants
- Réglages du guidon
- Siège du passager

## Produits Pure VICTORY

Cette section contient des conseils sur la meilleure manière de nettoyer, polir et préserver chaque surface de votre magnifique nouvelle motocyclette VICTORY. Nous vous recommandons d'utiliser nos nouveaux produits de nettoyage et polissage et nos accessoires Pure VICTORY qui ont été spécialement conçus pour entretenir le mieux possible votre motocyclette VICTORY.

En plus des produits de nettoyage et de polissage recommandés dans cette section, les produits Pure VICTORY Polishes comprennent aussi des produits spécialisés pour :

- enlever les égratignures, les marques et les tourbillons;
- rehausser les moteurs noir et argent;
- nettoyer les moteurs, roues et pneus;
- enlever la poussière de freins.

Après avoir nettoyé la motocyclette, inspectez-la pour vérifier si les surfaces peintes sont endommagées. Réparez les écailles ou les égratignures dans les plus brefs délais en appliquant la peinture de retouche VICTORY pour prévenir la corrosion. Pour de plus amples renseignements ou pour des réponses à vos questions sur le nettoyage et la finition détaillée, consultez votre concessionnaire VICTORY ou écrivez au personnel Pure VICTORY Polishes à :

**victorymailbag@polarisind.com.**



# Nettoyage

## Lavage de la motocyclette

### Avant le lavage

1. Assurez-vous que les tuyaux d'échappement sont froids. Recouvrez l'extrémité de chaque tuyau au moyen d'un sac en plastique fixé au moyen d'une bande élastique.
2. Vérifiez que les bougies, les capuchons de fil des bougies d'allumage, le bouchon de remplissage d'huile et le bouchon de réservoir à carburant sont correctement installés.
3. Rincez à l'eau courante à basse pression pour éliminer le plus de saleté et de boue possible. Utilisez le moins d'eau possible lorsque vous lavez à proximité des ouvertures du filtre à air ou du tuyau d'échappement. Asséchez ces pièces à fond avant d'utiliser la motocyclette.
4. Nettoyez à fond les tubes de la fourche avant afin de réduire les fuites et l'usure des joints d'étanchéité de la fourche.
5. Après le lavage, enlevez les bandes élastiques et les sacs en plastique des tuyaux d'échappement. Démarrez le moteur et laissez-le tourner au ralenti pendant quelques minutes. Assurez-vous que les freins fonctionnent correctement avant de partir en randonnée.

**AVIS :** N'utilisez pas d'eau sous pression pour laver la motocyclette. Des infiltrations d'eau peuvent endommager les roulements de roue, les étriers de frein, les maîtres-cylindres de frein, les connecteurs électriques, les roulements de la tête de direction et les joints d'étanchéité de la boîte de vitesses. Ne dirigez aucun jet d'eau vers les admissions d'air, les sorties d'échappement ou les connecteurs électriques.

**AVIS :** Les composants électriques peuvent être endommagés par l'eau. Empêchez l'eau d'entrer en contact avec les connecteurs ou les composants électriques.

**AVIS :** N'utilisez pas de nettoyants pour les vitres, d'apprêt anti-salissure ou hydrofuge, ni de produits nettoyants à base de pétrole ou d'alcool sur le pare-brise car ces produits peuvent l'endommager.

## Lavage de la motocyclette

Il existe deux styles de lavage de motocyclette complètement différents et un produit de Pure VICTORY Polish pour chaque style.

### « Lavage avec seau » standard

Celui-ci est le moyen conventionnel de laver votre motocyclette. Nous vous recommandons d'utiliser le concentré de lavage de moto Pure VICTORY, un produit concentré et doux formulé pour nettoyer sans affecter la durabilité de toute finition polie. Ce produit ne contient aucun alcali, acide ou abrasif et est formulé pour agir comme agent de trempage pour amollir les insectes, les saletés de la route et la boue et pour prévenir l'abrasion causée par votre gant ou linge de lavage. Ce produit permet aussi de réduire le temps de séchage sans causer de taches ou de stries.

1. Ajoutez 29,5 mL (1 oz) (environ deux capuchons) dans 3,8 L (1 gal US) d'eau.
2. Appliquez avec un gant de lavage en laine ou en microfibres sur une motocyclette refroidie.

**Conseil :** Pour obtenir les meilleurs résultats, lavez un seul côté de la motocyclette à la fois, du haut vers le bas.

3. Rincez à fond avec un tuyau d'arrosage, sans pression. Vaporisez en faisant glisser l'eau pour éviter la formation de taches.
4. Utilisez un chamois ou une serviette en microfibres Pure VICTORY pour un séchage presque sans taches.

# Nettoyage

## Lavage de la motocyclette

### Lavage Arroser-Rincer-et-Conduire

Voici la nouvelle façon de nettoyer votre VICTORY rapidement et facilement et de poursuivre votre randonnée. Le lavage de moto arroser-rincer-et-conduire en vaporisateur Pure VICTORY est sécuritaire et n'endommagera pas les surfaces hydrofuges.

Si vous nettoyez votre motocyclette fréquemment, vous pouvez mélanger des quantités égales de ce produit et d'eau. Vaporisez le produit sur des surfaces refroidies au toucher. Ne vaporisez PAS de l'eau sur une motocyclette chaude. Une fois appliqué, ce produit ramollit la poussière, la boue, les insectes et la saleté de la route.

1. Vaporisez les pare-brises, la carrosserie, les sacoches de selle, le coffre, le moteur, les pneus, les roues, les tuyaux et le chrome. Il est important d'appliquer régulièrement le produit sur toutes les surfaces pour obtenir les meilleurs résultats.

**Conseil :** Utilisez un linge ou un gant de lavage sur les taches tenaces.

2. Ne laissez PAS le produit sécher sur votre motocyclette. Rincez à fond avec un tuyau d'arrosage muni d'une buse de projection. Assurez-vous de rincer à fond et ensuite rincer délicatement pour faire glisser l'eau et réduire le risque de taches.

**Conseil :** Utilisez un chamois ou une serviette en microfibres Pure VICTORY pour un séchage presque sans taches.

## Nettoyages rapides

Pour les nettoyages rapides entre les lavages ou lorsque vous n'avez pas accès à l'eau, utilisez le produit de lavage et d'essuyage instantanés en vaporisateur Pure VICTORY qui est conçu pour nettoyer et polir toutes les surfaces. Il agit rapidement et facilement, il est exempt de silicone et il ne laisse aucun résidu huileux ou blanchâtre. Il procure une protection contre les rayons UV, la pluie acide et la saleté. Il enlève les insectes, le goudron et la saleté de la route sur votre pare-brise, la peinture et le chrome. Ce produit est sécuritaire pour toutes les surfaces, y compris les bandes décoratives, la peinture personnalisée et les murales. Il est sécuritaire sur le Plexiglas, le Lexan, l'acrylique et les pare-brises enduits à l'usine. Il ne crée pas de stries, il protège le poli et offre une brillance hydrofuge.

1. Vaporisez le produit sur toutes les surfaces, y compris le pare-brise, la peinture, le chrome, les roues et le cuir pour nettoyer, polir et protéger.
2. Séchez avec la serviette en microfibres Pure VICTORY. N'utilisez PAS un t-shirt.
3. Vaporisez-le et essuyez-le pour enlever facilement les insectes, la poussière et les taches. Pour les surfaces très sales, utilisez une plus grande quantité de produit.

**Conseil :** Utilisez ce produit sur le pare-brise pour repousser l'eau et améliorer la visibilité sous la pluie.

# Nettoyage

## Polissage de la motocyclette

### Entretien de l'aluminium poli

Sur une VICTORY neuve, les roues, les poignées et le levier de vitesses en aluminium poli brillent comme du chrome. Toutefois, l'aluminium poli deviendra mat à cause des rayons ultraviolets (UV) et de l'oxydation s'il n'est pas poli et protégé adéquatement.

Le sensationnel produit de polissage pour métal Pure VICTORY sert à nettoyer, à polir et à protéger ces surfaces en aluminium. Ce produit de polissage pour métal restaurera cette brillance semblable au chrome de l'usine et laissera une couche de protection qui résistera à l'oxydation future pendant plusieurs mois. Le sensationnel produit de polissage pour métal Pure VICTORY procure des résultats instantanés que vous devez voir pour y croire !

1. Secouez bien le contenant de produit de polissage avant de l'utiliser.
2. Appliquez le produit avec un linge ou un tampon en coton ou en microfibres.
3. Frottez délicatement jusqu'à ce que le noir apparaisse à la surface ou que la brillance perce à travers le produit.
4. Laissez le produit s'embrouiller.
5. Enlevez le produit avec un linge en coton ou en microfibres et polissez jusqu'à l'obtention d'une brillance de longue durée semblable au chrome.

## Polissage de la motocyclette

Il existe maintenant deux styles de polissage ou de protection de votre peinture et votre chrome complètement différents.

### **Méthode standard de polissage de la peinture et du chrome**

Le poli pour pare-brise, peinture et chrome Pure VICTORY est une formule unique conçue pour produire une brillance éclatante sur les finis peints ou recouverts d'un enduit lustré et les surfaces en chrome. Utilisez-le sur les accessoires chromés pour prévenir la rouille à la surface et obtenir une brillance éclatante.

- Utilisez-le sur les accessoires chromés pour prévenir la rouille à la surface et obtenir une brillance éclatante.
- Ce produit crée un grand effet réflecteur et un fini très brillant sans silicone.
- Utilisez-le pour polir et remplir les égratignures sur le Plexiglas, le Lexan, l'acrylique et les pare-brises enduits à l'usine.
- Il repousse l'eau des pare-brises et empêche les insectes de coller.
- Le poli pour pare-brise, peinture et chrome procure une protection de longue durée contre l'oxydation, la corrosion, les rayons UV et la chaleur.

# Nettoyage

## Polissage de la motocyclette

### Méthode standard de polissage de la peinture et du chrome

1. Secouez bien le contenant avant de l'utiliser.
2. Appliquez le produit avec l'applicateur de cire en microfibres à 100 % en faisant un mouvement circulaire ou rectiligne sur une surface propre. Il peut être appliqué au soleil.
3. Frottez le produit jusqu'à ce qu'il soit presque clair et laissez-le sécher jusqu'à ce qu'il s'embrouille avant de l'enlever. Vous pouvez polir toute la motocyclette avant d'enlever le poli.
4. Utilisez une serviette de polissage douce en microfibres Pure VICTORY pour essuyer le produit facilement et proprement.
5. Pour obtenir les meilleurs résultats sur un pare-brise, appliquez le produit sur un pare-brise propre. Après l'application, l'eau de pluie formera des gouttelettes qui s'envoleront, améliorant la visibilité. Le fini semblable au verre empêche les insectes de coller et aide à les enlever facilement.

## Polissage de la motocyclette

### Polissage supérieur pour une protection de longue durée

Ce nouveau style de polissage de la peinture et du chrome fait appel à la plus récente technologie de polymères de haute qualité qui procure une protection de la plus longue durée dans l'industrie du polissage d'aujourd'hui. La cire liquide en vaporisateur Pure VICTORY pour les pare-brises, la peinture et le chrome est formulée pour le polissage après le lavage et peut être vaporisée sur des surfaces mouillées ou sèches. La cire liquide en vaporisateur produit rapidement une brillance éclatante et durable avec peu d'effort. Elle ne contient AUCUN ABRASIF et elle est sécuritaire sur des surfaces à enduit lustré. Elle ne contient NI DISTILLATS DE PÉTROLE ou SILICONES.

1. Secouez bien le contenant avant de l'utiliser.
2. Commencez par laver et rincer la motocyclette.
3. Sur une section à la fois, vaporisez de la cire liquide sur la motocyclette sèche ou mouillée. (Pour les meilleurs résultats, la surface de la motocyclette doit être refroidie.)
4. Essuyez une section à la fois avec le chamois en microfibres Pure VICTORY ou une serviette en microfibres.
5. Après l'essuyage, polissez toute la motocyclette avec une serviette de polissage en microfibres Pure VICTORY propre et sèche pour un lustre éclatant.

**Conseil :** La cire liquide en vaporisateur peut aussi être appliquée sur les enduits lustrés, les pare-brises et le chrome propres et secs. Appliquez sur une section à la fois et essuyez. Après l'essuyage, utilisez une autre serviette pour polir et obtenir une brillance éclatante et durable.



# Nettoyage

## Entretien du cuir, du caoutchouc et du vinyle

### **⚠ AVERTISSEMENT**

N'utilisez jamais un protecteur non recommandé sur les selles, les repose-pieds, les poignées ou les pneus. Les selles, repose-pieds ou poignées glissants peuvent causer une perte de contrôle. Les pneus glissants peuvent causer une perte de traction et de contrôle. Ces deux situations pourraient provoquer des blessures graves ou la mort.

Pour protéger le cuir, utilisez le Conditionneur pour cuir, vinyle et caoutchouc Pure VICTORY, une formule unique et parfumée faite de polymères de qualité supérieure et conçue pour redonner un lustre et une souplesse au vinyle, au cuir et au caoutchouc *sans les rendre glissants*.

Ce produit est un véritable conditionneur, non pas un enduit. Il ne bouche pas les pores à la surface, mais il pénètre, nourrit et assouplit le matériel. Il protège contre les rayons ultraviolets (UV) et les fissures, repousse l'eau et prolonge la durée utile et l'apparence neuve des matériaux. Ce produit procure au caoutchouc une apparence neuve et hydrofuge. Un usage régulier augmente la résistance à la saleté.

1. Appliquez le produit sur une surface propre et sèche à l'aide d'un linge doux.
2. Frottez les surfaces avec le produit. Répétez le traitement si la surface est extrêmement sèche.
3. Essuyez avec un autre linge pour enlever l'excès de produit. Polissez légèrement à l'aide d'un autre linge pour un lustre davantage éclatant.

## Entreposage

Si vous pensez ne pas faire fonctionner la motocyclette pendant plusieurs mois, par exemple pendant l'hiver, entreposez-la afin de ne pas endommager le système d'alimentation en carburant et la batterie, et de protéger les pièces contre la corrosion ou la détérioration. Pendant l'entreposage, il est possible que vous utilisiez des produits qui peuvent être dangereux, comme du stabilisateur de carburant. Lorsque vous utilisez l'un de ces produits, suivez les directives et avertissements indiqués sur les contenants.

La présente section donne des directives sur la préparation de la motocyclette pour l'entreposage, son entretien pendant l'entreposage et la procédure à suivre après l'entreposage.

### Préparation du local d'entreposage

Choisissez un endroit sec et bien aéré, si possible un garage ou autre bâtiment. L'endroit choisi doit avoir une surface ferme et de niveau et être suffisamment grand pour la motocyclette.

Pour préserver l'état des pneus :

- La température à l'intérieur du local d'entreposage doit être relativement constante et modérée.
- Le plancher du local d'entreposage doit être exempt d'huile et d'essence.
- Il ne faut pas placer la motocyclette à proximité d'une plinthe chauffante ou d'une autre source de chaleur, ou d'un moteur électrique.

## **Entreposage**

### **Nettoyage et protection de la motocyclette**

Pour préparer la motocyclette pour l'entreposage, commencez par la nettoyer de la façon expliquée. Cirez les surfaces peintes et polissez les surfaces chromées et autres surfaces métalliques. Appliquez un enduit protecteur sur les pièces exposées en caoutchouc, en vinyle et en plastique.

*N'appliquez pas de protecteur de caoutchouc sur la surface des bandes de roulement.*

### **Stabilisateur de carburant**

À l'aide d'un mélange de carburant et de la quantité recommandée de Premium Carbon Clean Plus de VICTORY ou d'un autre stabilisant de carburant, remplissez le réservoir de carburant à un niveau juste en dessous de la base du goulot de remplissage.

Conduisez la motocyclette ou démarrez et faites fonctionner le moteur pendant 15 minutes dans un endroit bien ventilé pour permettre au carburant stabilisé de circuler dans le système d'injection du carburant.

### **Protection du moteur**

Changez l'huile moteur. Consultez la page 75. Les dépôts de carbone et les acides de combustion, qui sont normalement en suspension dans l'huile moteur lorsque la moto est utilisée, se déposent sur les composants internes du moteur pendant l'entreposage. Ces dépôts de carbone peuvent endommager le moteur ou causer de la corrosion interne.

## Pression des pneus

Vérifiez que la pression des pneus respecte les spécifications. Consultez la page 110. Vérifiez et réglez la pression des pneus au besoin durant la période d'entreposage.

## Entretien de la batterie

1. Enlevez la batterie. Consultez la page 117.
2. Nettoyez l'oxydation sur les bornes et les connecteurs des câbles de la batterie avec une brosse métallique. Lavez les bornes et les connecteurs de câble avec une solution constituée d'un volume de bicarbonate de soude dans 16 volumes d'eau. Rincez ensuite à l'eau fraîche et essuyez. Appliquez une mince couche de graisse diélectrique sur les bornes et les connecteurs des câbles.
3. Nettoyez l'extérieur de la batterie avec une solution d'eau tiède et de détergent doux.
4. Entreposez la batterie dans un endroit sec où la température est entre 0 et 32 °C (32 et 90 °F).
5. Pendant l'entreposage, rechargez complètement la batterie mensuellement. Si vous prévoyez ne pas utiliser votre motocyclette pendant une période de six semaines ou plus, il faut brancher un chargeur d'entretien sur la batterie. Consultez la page 118. Un raccord protégé par un fusible est aménagé sous le couvercle latéral gauche pour le chargeur d'entretien. Ce raccord est conçu pour être utilisé avec le chargeur d'entretien VICTORY.

## **Entreposage**

### **Housses de motocyclette**

Garez la motocyclette à l'endroit prévu pour l'entreposage.

Recouvrez-la de la housse de motocyclette d'origine VICTORY ou d'une housse en tissu aéré durable conçu pour l'entreposage. Vous protégez ainsi la motocyclette contre la poussière et autres substances en suspension dans l'air. La housse doit être fabriquée d'un tissu perméable à l'air pour empêcher l'accumulation d'humidité, ce qui causerait l'oxydation des surfaces en métal de la motocyclette.

### **Protection contre les rongeurs**

Les souris et les autres rongeurs sont souvent les pires ennemis d'une motocyclette entreposée. Si une motocyclette est entreposée à un endroit où les souris constituent un problème (surtout en campagne, dans les étables, les remises, etc.), assurez-vous de prendre des mesures supplémentaires pour prévenir une infestation. Ces mesures peuvent inclure l'ajout d'une grille sur les ouvertures d'admission et d'échappement (vous devez vous rappeler de les enlever lors de la remise en service de votre motocyclette).

## Remise en service

1. Retirez la housse et déverrouillez les fourches avant (si verrouillées).
2. Vérifiez que la pression des pneus respecte les spécifications.
3. Installez la batterie et effectuez une inspection électrique.
4. Vidangez l'huile et remplacez le filtre à huile avant de démarrer le moteur. Consultez la page 75, à partir de l'étape 3.
5. Vérifiez la présence de toute trace de fuite de liquide dans le secteur d'entreposage. Identifiez et réparez les composants qui fuient.

**AVIS :** Pendant l'entreposage, les variations de température et d'humidité peuvent entraîner la formation de condensation dans le carter et cette condensation peut se mélanger à l'huile moteur. Si vous faites fonctionner le moteur avec une huile qui contient de l'eau, vous pourriez endommager le moteur.

6. Installez des bougies neuves s'il y a lieu.
7. Lavez et polissez la motocyclette. Cirez, polissez ou appliquez un protecteur sur les composants appropriés.
8. Effectuez les inspections avant la conduite. Consultez la page 45.
9. Effectuez un essai de conduite. Consultez la page 71.

# Garanties

## Règlements sur le bruit de motocyclette

Il est interdit de modifier frauduleusement les dispositifs de contrôle du bruit. La loi fédérale interdit d'effectuer ou de faire effectuer :

- L'enlèvement ou la neutralisation par quiconque, autrement que pour des raisons d'entretien, réparation ou remplacement, de tout dispositif ou élément de conception intégré à tout véhicule neuf dans le but de lutter contre le bruit, avant sa vente ou livraison à l'acheteur final ou pendant que le véhicule est en usage, ou
- L'utilisation du véhicule après qu'un tel dispositif ou élément ait été retiré ou neutralisé par qui que ce soit.

Parmi les actes considérés comme étant des modifications frauduleuses figurent :

- Le retrait ou perforation du silencieux, des chicanes, des tuyaux collecteurs ou de tout autre composant véhiculant les gaz d'échappement.
- Le retrait ou perforation de toute partie du système d'admission.
- Un manque d'entretien approprié.
- Le remplacement de toute pièce mobile du véhicule, ou de toute pièce du système d'échappement ou d'admission, par une pièce autre que celle spécifiée par le fabricant.

Vérifiez si ce produit n'a pas besoin d'être réparé ou remplacé, si le bruit engendré par la motocyclette a nettement augmenté avec le temps. Dans le cas contraire, le propriétaire s'expose aux sanctions pénales imposées par les règlements de l'état/de la province et locaux.

## Garantie concernant l'émission du bruit

La division des motocyclettes VICTORY garantit que le système d'échappement, au moment de la vente, répond aux normes d'émission de bruit de l'EPA américaine. Cette garantie s'applique au premier acheteur de ce système d'échappement dans un but autre que la revente, ainsi qu'aux acheteurs subséquents.

Les réclamations au titre de la garantie doivent être envoyées à un concessionnaire agréé VICTORY ou à la Division des motocyclettes Polaris Sales Inc., P.O. Box 47700, Hamel, MN, 55340-9960, É.-U.

## Garantie du système de contrôle d'émissions

MOTOCYCLETTES VICTORY de Polaris Sales Inc. – Garantie du système de contrôle d'émissions

### Droits et obligations concernant la garantie

Le California Air Resources Board et la division des motocyclettes VICTORY, Polaris Sales Inc. (ci-après VICTORY) ont le plaisir de vous présenter la garantie sur le système de contrôle d'émissions de votre motocyclette VICTORY de l'année 2010 ou antérieure. En Californie, les nouveaux véhicules automobiles doivent être conçus, construits et équipés d'une manière conforme aux normes antipollution rigoureuses de l'État. VICTORY doit garantir le système de contrôle d'émissions de votre motocyclette pendant les périodes énumérées plus loin dans le présent document, sauf en cas d'emploi abusif, de négligence ou de mauvais entretien de votre motocyclette.

Les pièces du système de contrôle d'émissions peuvent comprendre notamment un système d'injection de carburant, un système d'allumage, un convertisseur catalytique et un calculateur moteur. Le système peut également comprendre des tuyaux, des courroies, des raccords et d'autres dispositifs servant au contrôle d'émissions.

Dans les situations couvertes par la garantie, VICTORY assumera les frais de réparation de votre motocyclette, incluant le coût du diagnostic, des pièces et de la main-d'œuvre.

### Garantie du fabricant

Motocyclettes de classe III (280 cm<sup>3</sup> et plus) : selon la première des échéances suivantes : pendant une période d'utilisation de cinq (5) ans ou 30 000 km (18 641 mi).

VICTORY procédera à la réparation ou au remplacement de toute pièce défectueuse servant au contrôle des émissions de votre motocyclette. Le présent document constitue votre GARANTIE CONTRE TOUT VICE DE FABRICATION du système de contrôle d'émissions.



# Garanties

## Garantie du système de contrôle d'émissions

### Responsabilités du propriétaire protégé par la garantie

En tant que propriétaire de la motocyclette, vous êtes tenu de faire effectuer l'entretien nécessaire décrit dans le Manuel d'utilisation. VICTORY recommande de conserver toutes les factures d'entretien de votre motocyclette mais elle ne peut refuser de consentir la garantie en l'absence de factures seulement ou au seul motif de votre négligence à faire exécuter le programme d'entretien périodique.

Vous êtes tenu de vous présenter chez un concessionnaire VICTORY aussitôt qu'un problème apparaît. Les réparations effectuées au titre de la garantie doivent être achevées dans un délai raisonnable, ne dépassant pas 30 jours.

En tant que propriétaire de la motocyclette, il faut que vous sachiez que VICTORY peut refuser de respecter la garantie si votre motocyclette ou toute pièce de votre motocyclette fait défaut par suite d'un emploi abusif, de négligence, de mauvais entretien ou de modifications non autorisées.

Pour toute question concernant vos droits et responsabilités, communiquez avec la VICTORY Motorcycle Division, Polaris Sales Inc., P.O. Box 47700, Hamel, MN, 55340-9960, É.-U., ou avec le California Air Resources Board, P.O. Box 8001, 9528 Telstar Avenue, El Monte, CA, 91734-8001, É.-U.

Division des motocyclettes VICTORY de Polaris Sales Inc. – Garantie limitée sur le système de contrôle d'émissions

La division de motocyclettes VICTORY de Polaris Sales Inc., (ci-après dénommée VICTORY), garantit que tout nouveau modèle de motocyclette, de l'année 2010 ou ultérieure, dont l'équipement de série, conforme aux exigences de la réglementation routière, comprend un phare, un feu arrière et un feu d'arrêt :

- A. est conçue, construite et équipée de manière à être conforme, au moment de l'achat initial, à tous les règlements applicables de la United States Environmental Protection Agency (EPA) et du California Air Resources Board; et
- B. est libre de tout vice de matériau et de fabrication qui la rendrait non conforme aux règlements applicables de l'EPA américaine ou du California Air Resources Board pendant une période d'utilisation variable, selon la cylindrée du moteur – 12 000 km (7 456 mi), pour une motocyclette dont la cylindrée est inférieure à 170 cm<sup>3</sup>; 18 000 km (11 185 mi), pour une motocyclette dont la cylindrée est égale ou supérieure à 170 cm<sup>3</sup> mais inférieure à 280 cm<sup>3</sup>; ou 30 000 km (18 641 mi), pour une motocyclette dont la cylindrée est égale ou supérieure à 280 cm<sup>3</sup> – ou pour une période de cinq (5) ans à partir de la date de livraison initiale, la première de ces deux périodes prévalant.

## Garantie du système de contrôle d'émissions

### I. Couverture

Les réparations couvertes par la garantie seront effectuées pendant les heures habituelles d'ouverture par n'importe quel concessionnaire agréé de motocyclettes VICTORY situé aux États-Unis, conformément à la Clean Air Act et aux règlements applicables de l'EPA américaine et du California Air Resources Board. Toute pièce remplacée en vertu de la présente garantie deviendra la propriété de VICTORY.

Uniquement dans l'état de Californie, les pièces de système de contrôle d'émissions garanties sont spécifiquement définies au moyen de la Liste de pièces garanties de système de contrôle d'émissions, établie par cet état. Ces pièces sont les suivantes : carburateur et pièces internes; collecteur d'admission; réservoir de carburant; système d'injection de carburant; mécanisme d'avance de l'allumage; reniflard de carter; soupapes d'admission d'air; bouchon de réservoir de carburant pour les véhicules dotés d'un système de contrôle d'émissions de carburant; bouchon de remplissage d'huile; robinet pressostatique; séparateur de vapeur; réservoir à charbon actif; allumeurs; régulateurs; bobines d'allumage; câbles d'allumage; vis platinées; condensateurs et bougies d'allumage en cas de défaillance avant premier remplacement prévu, ainsi que les tuyaux, colliers de serrage, raccords et tuyaux directement utilisés dans ces pièces. Les pièces servant au contrôle des émissions peuvent varier selon les modèles. Par conséquent, il se peut que certains modèles ne contiennent pas toutes ces pièces tandis que d'autres modèles pourraient contenir des pièces de nature équivalente.

En ce qui concerne exclusivement la Californie, les réparations urgentes du système de contrôle d'émissions peuvent être effectuées ailleurs que chez un concessionnaire agréé VICTORY, comme le stipule le California Administrative Code. Un cas d'urgence s'entend d'une situation où il n'est pas raisonnablement possible de trouver un concessionnaire agréé VICTORY disponible, où il est impossible d'obtenir une pièce dans un délai de 30 jours ou encore lorsqu'une réparation n'est pas terminée dans un délai de 30 jours. Toute pièce de rechange peut s'utiliser pour une réparation d'urgence. VICTORY remboursera au propriétaire les frais de remplacement de toute pièce garantie, y compris le coût du diagnostic, s'ils ne dépassent pas le prix de détail suggéré, ainsi que le coût de main-d'œuvre établi en fonction de l'impartition de temps recommandée par VICTORY pour la réparation couverte par la garantie et du taux horaire applicable de la main-d'œuvre locale. Il peut être demandé au propriétaire de conserver ses reçus et les pièces défectueuses pour qu'une indemnisation lui soit accordée.

# Garanties

## Garantie du système de contrôle d'émissions

### II. Limitations

Cette garantie sur le système de contrôle d'émissions ne devra couvrir aucun des éléments suivants :

- A. Réparations ou remplacements exigés par suite :
  - (1) d'un accident;
  - (2) d'un emploi abusif;
  - (3) de réparations mal effectuées ou de pièces de remplacement mal installées;
  - (4) de l'utilisation de pièces de remplacement ou d'accessoires non conformes aux spécifications de VICTORY et pouvant nuire au bon fonctionnement, et/ou
  - (5) de l'utilisation de la motocyclette pour la course ou dans un autre évènement associé à la compétition.
- B. Inspections, remplacements de pièces ou autres services et ajustements exigés dans le programme d'entretien.
- C. Toute motocyclette dont le compteur kilométrique a été modifié de sorte que le kilométrage réel ne puisse facilement être déterminé.

## Garantie du système de contrôle d'émissions

### III. Responsabilité limitée

- A. La responsabilité de VICTORY en vertu de la présente garantie du système de contrôle d'émissions se limite exclusivement aux mesures de réparation des vices de matériel ou des malfaçons entreprises dans l'établissement d'un concessionnaire agréé de motocyclettes VICTORY pendant les heures habituelles d'ouverture. La présente garantie ne couvre pas les désagréments ou la privation de jouissance; elle ne couvre pas davantage le transport aller-retour de la motocyclette chez le concessionnaire VICTORY. VICTORY N'EST RESPONSABLE D'AUCUN AUTRE FRAIS, PERTE OU DOMMAGE, QU'ILS SOIENT DIRECTS, ACCESSOIRES, INDIRECTS OU PUNITIFS, DÉCOULANT DE LA VENTE, DE L'UTILISATION OU DE L'IMPOSSIBILITÉ D'UTILISER UNE MOTOCYCLETTE VICTORY À QUELQUE FIN QUE CE SOIT. CERTAINS ÉTATS NE PERMETTENT PAS D'EXCLUSIONS NI DE LIMITATIONS RELATIVES À DES DOMMAGES ACCESSOIRES OU INDIRECTS, DE SORTE QUE LES LIMITATIONS CI-DESSUS PEUVENT NE PAS S'APPLIQUER DANS VOTRE CAS.
- B. VICTORY N'OFFRE AUCUNE GARANTIE EXPRESSE DU SYSTÈME DE CONTRÔLE D'ÉMISSIONS, SAUF LA GARANTIE DONT LES CONDITIONS SONT PRÉCISÉES DANS LE PRÉSENT DOCUMENT. TOUTE GARANTIE DU SYSTÈME DE CONTRÔLE D'ÉMISSIONS IMPLICITE EN VERTU DE LA LOI, INCLUANT TOUTE GARANTIE DE REVENTE AVEC APTITUDE À UN USAGE PARTICULIER, EST LIMITÉE AUX DISPOSITIONS DE LA GARANTIE EXPRESSE DU SYSTÈME DE CONTRÔLE D'ÉMISSIONS ÉNONCÉES DANS CETTE GARANTIE. LES ÉNONCÉS DE GARANTIE QUI PRÉCÈDENT SONT EXCLUSIFS AU LIEU ET PLACE DE TOUT AUTRE RECOURS. CERTAINS ÉTATS NE PERMETTENT PAS DE LIMITATIONS RELATIVES SUR LA DURÉE D'UNE GARANTIE IMPLICITE, DE SORTE QUE LES LIMITATIONS CI-DESSUS PEUVENT NE PAS S'APPLIQUER DANS VOTRE CAS.
- C. Aucun concessionnaire n'est autorisé à modifier la présente garantie limitée du système de contrôle d'émissions de VICTORY.

# Garanties

## Garantie du système de contrôle d'émissions

### IV. Droits reconnus par la loi

CETTE GARANTIE VOUS CONFÈRE DES DROITS PRÉCIS DEVANT LA LOI, ET IL EST POSSIBLE QUE D'AUTRES DROITS VOUS SOIENT OUVERTS SELON LA RÉGLEMENTATION GOUVERNEMENTALE APPLICABLE.

### V. La présente garantie s'ajoute à la garantie limitée des motocyclettes VICTORY.

### VI. Renseignements complémentaires

Toute pièce de rechange équivalente du point de vue des performances et de la durabilité peut être utilisée pour un entretien ou une réparation. Toutefois, VICTORY n'assume aucune responsabilité pour ces pièces. Il incombe au propriétaire d'effectuer l'entretien requis. Un tel entretien peut être fait dans un centre d'entretien ou par tout individu. La période de garantie prend effet à la date de livraison de la motocyclette à un acheteur.

**Division des motocyclettes VICTORY, Polaris Sales Inc.**

**P.O. Box 47700**

**Hamel, MN 55340-9960 É.-U.**

**À L'ATTENTION DE : Service de garantie**

## Garantie pour motocyclette VICTORY

### Garantie limitée

La division des motocyclettes VICTORY de Polaris Sales Inc., P.O. Box 47700, Hamel, MN, 55340-9960, É.-U., offre une GARANTIE LIMITÉE D'UN AN sur tous les composants de motocyclette VICTORY contre tout vice de matériau ou de fabrication. Cette garantie couvre le coût des pièces et de la main-d'œuvre pour les réparations ou le remplacement des pièces défectueuses qui sont couvertes. Elle prend effet à la date d'achat. Elle est transférable à un autre consommateur au cours de la période de garantie par l'entremise d'un concessionnaire de motocyclettes VICTORY.

### Enregistrement

Au moment de la vente, votre concessionnaire doit remplir le formulaire d'enregistrement de la garantie et le transmettre à la division des motocyclettes VICTORY de Polaris Sales Inc. dans les dix jours suivants. Sur réception du formulaire, la division des motocyclettes VICTORY de Polaris Sales Inc. consignera l'enregistrement de la garantie. Aucune vérification d'enregistrement ne sera envoyée à l'acheteur, l'exemplaire du formulaire d'enregistrement attestant du droit à la garantie. Si l'acheteur n'a pas signé l'enregistrement original ni reçu l'exemplaire du client, il devra contacter le concessionnaire immédiatement. **VOTRE MOTOCYCLETTE VICTORY NE SERA COUVERTE PAR LA GARANTIE QUE SI ELLE A ÉTÉ ENREGISTRÉE AUPRÈS DE LA DIVISION DES MOTOCYCLETTES VICTORY DE POLARIS SALES INC.**

Il est très important que votre concessionnaire exécute la préparation et l'assemblage initial de votre motocyclette VICTORY afin d'en garantir le bon fonctionnement. La garantie sera invalidée si la motocyclette a été achetée dans sa caisse d'expédition ou si elle n'est pas assemblée correctement par le concessionnaire.

# Garanties

## Garantie pour motocyclette VICTORY

### Garantie et exclusions :

#### Limitations de la garantie et des recours

La garantie exclut toute panne qui n'est pas causée par un vice de matériel ou de fabrication. Cette garantie ne couvre pas les dommages accidentels, l'usure normale ni un emploi abusif ou incorrect. Elle ne couvre pas davantage une motocyclette VICTORY dont la construction a été modifiée ou trafiquée, ou qui a été négligée, mal entretenue, utilisée pour la course de moto ou pour d'autres fins que celles pour lesquelles elle a été fabriquée; elle ne couvre pas non plus les dommages qui sont causés pendant le transport de la motocyclette à bord d'une remorque ou par suite du recours à un service non autorisé ou de l'utilisation de pièces non autorisées. En outre, la présente garantie ne couvre pas les dommages matériels causés à la peinture ou au fini, les criques de tension, le déchirement ou la perforation du tissu de revêtement, la corrosion ou les défauts des pièces, des composants ou de la motocyclette VICTORY imputables à un incendie, à une explosion ou à tout autre sinistre indépendant de la volonté de la division des motocyclettes VICTORY de Polaris Sales Inc.

La présente garantie ne couvre pas l'utilisation de lubrifiants non autorisés, de produits chimiques ou de carburants qui ne conviennent pas à la motocyclette VICTORY.

Le recours exclusif pour inobservation de la garantie correspond, au choix exclusif de la Division des motocyclettes VICTORY de Polaris Sales Inc., à la réparation ou au remplacement des matériaux, composants ou produits défectueux. LES RECOURS ÉNONCÉS DANS LA PRÉSENTE GARANTIE SONT LES SEULS OFFERTS À QUICONQUE EN CAS DE RUPTURE DE LA GARANTIE. LA DIVISION DES MOTOCYCLETTES Victory DE POLARIS SALES INC. N'EST AUCUNEMENT RESPONSABLE ENVERS QUI QUE CE SOIT DES DOMMAGES ACCESSOIRES, INDIRECTS OU PARTICULIERS DE QUELQUE NATURE QU'ILS SOIENT, PEU IMPORTE S'ILS DÉCOULENT D'UNE GARANTIE EXPLICITE OU IMPLICITE OU DE TOUT AUTRE CONTRAT, NI DE LA NÉGLIGENCE OU D'UN AUTRE DÉLIT CIVIL. Certains états et provinces ne permettent pas l'exclusion ou la limitation des dommages accessoires ou indirects ou des garanties implicites; il est possible que les limitations ou les exclusions précitées ne s'appliquent pas à votre situation si elles sont incompatibles avec les lois en vigueur.

## Garantie pour motocyclette VICTORY

### Garantie et exclusions :

#### Limitations de la garantie et des recours

LA DURÉE DE TOUTES LES GARANTIES IMPLICITES (Y COMPRIS, MAIS NE SE LIMITANT PAS AUX GARANTIES IMPLICITES DE QUALITÉ MARCHANDE ET D'ADÉQUATION À UN USAGE PARTICULIER) EST LIMITÉE À LA PÉRIODE DE GARANTIE D'UN AN, DE PLUS, LA DIVISION DES MOTOCYCLETTES VICTORY DE POLARIS SALES INC. N'ASSUME AUCUNE RESPONSABILITÉ À L'ÉGARD DES GARANTIES EXPLICITES NON PRÉCISÉES DANS CETTE GARANTIE AUTRES QUE LES GARANTIES CONCERNANT LES ÉMISSIONS ET LES GARANTIES EN MATIÈRE DE DROIT D'ACCISE. Certains états et provinces ne permettant aucune limitation de durée d'une garantie implicite, il est possible que la limitation ci-dessus ne s'applique pas à une situation si elle est incompatible avec les lois en vigueur.

#### Pour faire effectuer des réparations sous garantie

Si un service prévu par la garantie s'impose sur votre motocyclette VICTORY, vous devez amener votre motocyclette chez un concessionnaire de motocyclettes VICTORY qui offre le service voulu. Lors de toute demande de réparations sous garantie, présentez la copie de l'enregistrement de garantie à votre concessionnaire. (LE COÛT DU TRANSPORT ALLER-RETOUR CHEZ LE CONCESSIONNAIRE EST À LA CHARGE DU CLIENT.) La division de motocyclettes VICTORY de Polaris Sales Inc. vous suggère de traiter avec le concessionnaire qui vous a vendu la motocyclette; toutefois, vous pouvez demander à n'importe quel concessionnaire de motocyclettes VICTORY d'assurer le service prévu par la garantie.

Veillez consulter votre concessionnaire pour tout problème relatif à la garantie. Si votre concessionnaire a besoin d'une assistance supplémentaire à cet égard, il communiquera avec la personne compétente à la division de motocyclettes VICTORY de Polaris Sales Inc.

Cette garantie vous confère également des droits précis devant la loi, et il est possible que d'autres droits vous soient ouverts selon la réglementation gouvernementale applicable.

Si l'une des conditions précitées devait être invalidée en raison des lois en vigueur, toutes les autres conditions concernant la garantie resteraient valides.



# Spécifications

## VEGAS JACKPOT/NESS JACKPOT 2010

### Dimensions

Longueur hors tout	244,6 cm (96,3 po)
Largeur hors tout	94 cm (37,0 po)
Hauteur hors tout	120,0 cm (47,25 po)
Hauteur de la selle	65,3 cm (25,70 po)
Empattement	168,4 cm (66,3 po)
Garde au sol	13,5 cm (5,3 po)
Inclinaison/hauteur	33,5°/13 cm (5,12 po)

### Poids

Poids à vide	296 kg (652 lb)
Poids tous pleins faits	309 kg (680 lb)
Poids nominal brut du véhicule (PNBV)	531 kg (1 171 lb)
Charge maximale (motocyclistes, charge, accessoires)	224 kg (494 lb)
Poids nominal brut sur l'essieu (PNBE)	185 kg (407 lb) – essieu avant 347 kg (764 lb) – essieu arrière

### Capacités

Huile moteur	4,75 L (5 pte)/environ 4,25 L (9 chopines) à la vidange d'huile
Niveau du carburant	17 L (4,5 gal US)
Réservoir de carburant auxiliaire	3 L (0,8 gal US)

**Conseil** : Les dimensions et les spécifications peuvent être différentes selon les caractéristiques, les options et les accessoires.

# Spécifications

<b>VEGAS JACKPOT/NESS JACKPOT 2010</b>	
<b>Moteur</b>	
Type de moteur	Moteur bicylindre en V 106/6 Freedom® de VICTORY
Configuration	4 temps, bicylindre en V de 50° Traverse
Cylindrée	1 737 cm <sup>3</sup> (106 po <sup>3</sup> )
Système de refroidissement/système de lubrification à l'huile	Air et huile/carter humide
Taux de compression	9,4:2
Commande des soupapes	Simple arbre à cames en tête (SACT) – quatre soupapes par cylindre/poussoirs hydrauliques et régulateurs de la courroie d'entraînement de cames
Alésage et course	101 x 108 mm
Système d'alimentation/alésage de corps de papillon	Injection électronique du carburant/45 mm
Système d'échappement	Alésage double à tuyaux de grand diamètre superposés, coupés en biseau, à débit standard
Bougie d'allumage/écartement	NGK DCPR6E/0,8 à 0,9 mm (0,031 à 0,035 po)
<b>Châssis</b>	
Type/course de la suspension avant	Fourche télescopique conventionnelle de 43 mm/13 cm (5,1 po)
Type/course de la suspension arrière	Unique, monotube à gaz/précharge réglable/7,5 cm (3 po)
Bras oscillant	Aluminium forgé et coulé avec tringlerie à action progressive
Freins avant	300 x 5 mm double/rotor flottant/étriers à 4 pistons
Freins arrière	300 x 5 mm unique/rotor flottant/étriers à 2 pistons

**Conseil** : Les dimensions et les spécifications peuvent être différentes selon les caractéristiques, les options et les accessoires.

# Spécifications

## VEGAS JACKPOT/NESS JACKPOT 2010

### Système d'entraînement

Type d'entraînement final	Courroie armée de fibre de carbone
Type de boîte de vitesses	6 vitesses avec surmultipliée/à prise constante
Entraînement primaire	Transmission à engrenages avec compensateur de couple
Coefficient du système principal de réduction	1,5:1
Grille des changements de vitesse	1 descendante/5 ascendantes
Rapports d'engrenage internes	
1 <sup>re</sup> vitesse	3,15:1
2 <sup>e</sup> vitesse	2,03:1
3 <sup>e</sup> vitesse	1,53:1
4 <sup>e</sup> vitesse	1,24:1
5 <sup>e</sup> vitesse	1:1
6 <sup>e</sup> vitesse (surmultipliée)	0,84:1
Rapport de réduction finale	2,12:1
Type d'embrayage	Multidisques à bain d'huile/ressort du diaphragme

**Conseil** : Les dimensions et les spécifications peuvent être différentes selon les caractéristiques, les options et les accessoires.

# Spécifications

VEGAS JACKPOT/NESS JACKPOT 2010	
<b>Roues et pneus</b>	
Type/dimension de la roue avant	Moulée ou à billettes 21 x 2,15
Type/dimension de la roue arrière	Moulée ou à billettes 18 x 8,5 po
Type/dimension du pneu avant	Dunlop Elite 3/90/90 2154H sans chambre à air
Type/dimension du pneu arrière	Dunlop Elite 3/250/40R18 81V sans chambre
<b>Système électrique</b>	
Alternateur	Courant max. de sortie de 38 A
Batterie	YTX20HL-BS/12 V 18 Ah/310 CCA
Fusible, moteur/module de commande électronique (ECM)	15 A
Fusible, pompe à carburant	10 A
Fusible, ampoules de phare/du feu d'arrêt	20 A
Fusible, ampoules du feu arrière/clignotants/voyants/klaxon	15 A
Fusible, allumage/instruments de bord	15 A
Fusible, accessoire	15 A
Ampoule, phare (international)	Feu de route H11/Feu de croisement H11
Ampoule, feu arrière	DÉL non remplaçable
Ampoule, clignotant	R10W/système d'annulation automatique
Ampoule, indicateur	Culot à poussoir 2,3 W

**Conseil :** Les dimensions et les spécifications peuvent être différentes selon les caractéristiques, les options et les accessoires.

## Spécifications

### Spécifications du carburant

Pour un meilleur rendement, utilisez seulement de l'essence sans plomb d'un indice d'octane de 91 minimum (méthode R+M/2).

**N'UTILISEZ PAS D'ESSENCE E85 NI D'ESSENCE CONTENANT DU MÉTHANOL.**

L'utilisation d'essence E85 ou d'un mélange d'essence et de méthanol peut se traduire par un démarrage et une maniabilité médiocres et causer des dommages à des pièces importantes du système d'alimentation en carburant.

Vous pouvez utiliser de l'essence contenant jusqu'à 15 % d'éther méthyltertiobutylique (MTBE).

Vous pouvez utiliser de l'essence contenant jusqu'à 10 % d'éthanol.

Vous pouvez utiliser de l'essence qui a été reformulée ou oxygénée.

### Spécifications de l'huile moteur

Polaris recommande d'utiliser une huile moteur synthétique 20W-40 de marque VICTORY seulement ou une huile équivalente conçue pour les embrayages à huile (comme celles avec la classification JASO MA).

### Disponibilité du Manuel d'entretien

Consultez votre concessionnaire pour acheter un *Manuel d'entretien VICTORY* pour votre motocyclette.

## Numéros d'identification

Notez les numéros d'identification importants ci-dessous. Référez-vous aux pages 30 et 31 pour les emplacements.

**Numéro d'identification du véhicule (VIN) :** \_\_\_\_\_

(situé à droite de la tête de direction)

**Numéro d'identification du moteur :** \_\_\_\_\_

(situé sur le carter à la droite du filtre à huile)

**Numéro de la clé de contact :** \_\_\_\_\_

(estampé sur l'axe de la clé)

**Numéro du modèle :** \_\_\_\_\_

(situé à gauche de la tête de direction)

## Registre d'entretien

ENTRETIEN EFFECTUÉ	COMMENTAIRES	km (mi)	DATE	EFFECTUÉ PAR

## Registre d'entretien

ENTRETIEN EFFECTUÉ	COMMENTAIRES	km (mi)	DATE	EFFECTUÉ PAR



## Registre d'entretien

ENTRETIEN EFFECTUÉ	COMMENTAIRES	km (mi)	DATE	EFFECTUÉ PAR

<b>A</b>	
À propos du Manuel d'utilisation . . . . .	6
Accélération . . . . .	67
Accès au bouchon de réservoir à carburant . . . . .	43
Alignement de la roue arrière . . . . .	85-87
Amorçage du système d'alimentation . . . . .	61
<b>Amortisseur</b>	
Amortisseur arrière, inspection de la précharge . . . . .	88-89
Amortisseur arrière, réglage de la précharge . . . . .	90-91
Inspection de la hauteur du véhicule . . . . .	88-89
Inspection de la précharge du ressort	89
Inspection de la précharge du ressort . . . . .	88
Réglage de la hauteur du véhicule . . . . .	90-91
Réglage de la précharge du ressort . . . . .	90-91
Arrêt du moteur . . . . .	68
<b>B</b>	
<b>Batterie</b> . . . . .	<b>116-119</b>
Charge . . . . .	118
Connexion appropriée des câbles . . . . .	117
Électrolyte . . . . .	116
Installation . . . . .	119

<b>B</b>	
Retrait . . . . .	117
Retrait de la batterie Traitement d'urgence . . . . .	117 116
Béquille latérale . . . . .	44
Bougies . . . . .	112-113
<b>C</b>	
Capteur de basculement . . . . .	63
Carburant, stabilisant . . . . .	136
Clé, numéro . . . . .	31
Commandes de guidon droit . . . . .	40-41
Commandes de guidon gauche . . . . .	38-39
<b>Commutateur</b>	
Allumage . . . . .	32-33
Bouton du démarreur . . . . .	40
Bouton du klaxon . . . . .	38
Commutateur arrêté/ conduite du moteur . . . . .	40
Commutateur pour feu de route/ de croisement . . . . .	38
Composants du guidon . . . . .	27
Composants électriques . . . . .	46
Composants, vue du côté droit . . . . .	29
Composants, vue du côté gauche . . . . .	28
Compteur journalier . . . . .	35
Compteur kilométrique . . . . .	35
Conduite avec un passager . . . . .	14
Contacteur de clignotants . . . . .	39

<b>D</b>		
Défauts de sécurité, rapport . . . . .	26	
<b>Définition</b>		
Attention . . . . .	7	
Avertissement . . . . .	7	
Avis . . . . .	7	
Démarrage du moteur . . . . .	62-63	
Directives concernant les accessoires . . . . .	18	
Directives concernant les accessoires . . . . .		17
Disponibilité du Manuel d'entretien . . . . .	154	
Dispositifs de retenue des charges . . . . .	49	
<b>E</b>		
Écartement de la pédale de frein . . . . .	52	
Embrayage hydraulique, niveau du liquide . . . . .	56	
<b>Entreposage</b>		
Entretien de la batterie . . . . .	137	
Gonflage des pneus . . . . .	137	
Housses de motocyclette . . . . .	138	
Nettoyage et protection . . . . .	136	
Préparation du local . . . . .	135	
Protection contre les rongeurs . . . . .	138	
Protection du moteur . . . . .	136	
Remise en service . . . . .	139	
Stabilisateur de carburant . . . . .	136	
<b>Entretien</b>		
Aluminium . . . . .	130	
Caoutchouc . . . . .	134	
Conduite de frein . . . . .	108	

## E

Cuir .....	134
Disque de frein .....	108
Embrayage (hydraulique) .....	103-104
Embrayage (mécanique) .....	100-102
Liquide de freins arrière .....	106
Liquide de freins avant .....	105
Plaquette de frein .....	108
Système d'accélération .....	98
Systèmes de freinage .....	105-108
Vinyle .....	134
Entretien de l'aluminium poli .....	130
Entretien de la suspension arrière .....	88, 90-92
Entretien de la suspension avant .....	93-94
Entretien de sécurité .....	23
Entretien du système d'alimentation .....	95-97
Entretien initial .....	70
Entretien périodique .....	71
Entretien, sécurité .....	23
Équipement de protection .....	15
Essai de conduite .....	71
État de la courroie d'entraînement .....	78
État des pneus .....	49
Étiquettes d'information .....	24-25
Étiquettes de sécurité .....	24-25
Étiquettes, sécurité et information .....	24-25
Exigences d'entretien .....	70

## F

Falsification du système de contrôle du bruit .....	140
--	-----

## F

Filtre à air .....	77
Filtres à carburant .....	96
Fini peint, polissage .....	131-132
Fonctionnement de la commande d'accélérateur .....	67
Frein arrière, niveau du liquide .....	53
Frein arrière, pédale de frein .....	42, 51-52
Frein avant, levier de frein .....	41, 50
Frein avant, niveau du liquide .....	51
Freinage .....	67

## G

Garantie concernant l'émission du bruit .....	140
Garantie du système de contrôle d'émissions .....	141-146
Groupe d'instruments .....	34-35

## H

Hauteur de remplissage de carburant ...	61
Housses de motocyclette .....	138

## I

Indicateur de vitesse .....	34
Indicateurs lumineux .....	36-37
<b>Inspection</b>	
Béquille latérale .....	58
Bras oscillant .....	92
Commande d'accélérateur .....	54
Conduite de frein .....	53
Courroie d'entraînement .....	57
Direction .....	57, 94
Embrayage (mécanique) .....	55

## I

Essieu arrière .....	92
Essieu avant .....	94
Fixation .....	58
Fourche .....	93
Plaquette de frein .....	53
Suspension arrière .....	57, 89
Suspension avant .....	57
Inspection de compression du moteur ..	114
Inspection de l'orientation du phare ...	120
Inspection de la bougie .....	112-113
Inspection de la fourche avant .....	93
Inspection de la hauteur du véhicule ..	88-89
Inspection de la précharge du ressort ..	88-89
Inspection de la tension de la courroie d'entraînement .....	79-81
Inspection de la tension de la courroie d'entraînement .....	78
Inspection de pédale de frein .....	51-52
Inspection des roues .....	109
Inspection du système d'échappement .....	114
Inspection du tuyau de carburant .....	95
Inspection du tuyau de ventilation du carter .....	95
Inspection électrique .....	46
Inspection, avant la conduite .....	45-58
Installation de la selle .....	115
Interférence électromagnétique .....	23
<b>Interrupteur</b>	
Interrupteur des feux de détresse ...	38

<b>J</b>	
Jeu du levier d'embrayage (mécanique) .....	100
Jeu libre de la commande d'accélérateur .....	54

<b>L</b>	
<b>Lavage</b>	
Avant le lavage .....	126
Lavage Arroser-Rincer- et-Conduire .....	128
Lavage avec seau standard .....	127
Motocyclette .....	126-128
Nettoyages rapides .....	129
Levier d'embrayage .....	39
Levier de frein avant .....	41, 50

<b>Liquide</b>	
Embrayage (hydraulique) .....	103
Frein arrière .....	106
Frein avant .....	105

<b>Lubrification</b>	
Béquille latérale .....	123
Câble d'accélérateur .....	99
Câble d'embrayage (mécanique) .....	102
Levier d'embrayage (hydraulique) .....	104
Levier d'embrayage (mécanique) .....	101
Levier de frein .....	107

<b>M</b>	
Modifications .....	19
Moteur, numéro d'identification .....	31

<b>M</b>	
Motorcycle Safety Foundation .....	8
Mots de signalisation .....	7

<b>N</b>	
Niveau d'huile moteur .....	47
Niveau du carburant .....	48
Niveau du liquide d'embrayage (hydraulique) .....	56
Niveau du liquide de freins, avant .....	51
Numéro d'identification du moteur .....	31
Numéro d'identification du véhicule (VIN) .....	30, 155
Numéro de la clé de contact .....	31

<b>P</b>	
Panne de carburant .....	61
Passage de rapports .....	64-66
Passager .....	14
Pédale de changement de vitesse .....	42
Pédale de frein arrière .....	42, 51-52
Période de rodage du moteur .....	59-63
PNBV .....	16

<b>Pneus</b>	
État des pneus .....	111
Pression des pneus .....	110
Profondeur de sculpture de pneu .....	111
Poids nominal brut du véhicule (PNBV) .....	16
Poignée de commande d'accélérateur .....	41

<b>Polissage</b>	
Aluminium poli .....	130
Chrome .....	131-132

<b>P</b>	
Cuir, caoutchouc et vinyle .....	134
Peinture et chrome .....	131-132
Protection de durabilité supérieure .....	133
Polissage de la motocyclette .....	130-133
Politique de la garantie .....	147-149
Pratiques de conduite sécuritaire .....	8-15
Pression des pneus .....	49
Produits de nettoyage .....	125
Produits Pure VICTORY .....	125
Profondeur de sculpture de pneu .....	49
Programme d'entretien .....	72-74
<b>Protecteur</b>	
Cuir, caoutchouc et vinyle .....	134

<b>R</b>	
Rapport, défauts .....	26
Ravitaillement en carburant .....	61
Recommandations concernant le point de changement de vitesse .....	66
Recommandations concernant les bougies .....	112
Recommandations concernant les fusibles .....	122

<b>Registre</b>	
Clé de contact .....	155
Identification du moteur .....	155
Numéros d'identification .....	155
Registre d'entretien .....	156-158
VIN .....	155
Réglage de l'orientation du phare .....	121
Réglage de la hauteur du véhicule .....	90-91

<b>R</b>	
Réglage de la pédale de changement de vitesse . . . . .	109
Réglage de la précharge du ressort . . . . .	90-91
Réglage de la tension de la courroie d'entraînement . . . . .	82-83
Réglage du jeu libre de la commande d'accélérateur . . . . .	98-99
Réglage du levier de frein . . . . .	50
Remplacement de l'ampoule du phare . . . . .	121
Remplacement des fusibles . . . . .	122
Retrait de la selle . . . . .	115
Retrait et installation du couvercle latéral . . . . .	44
Retrait et installation du réservoir de carburant . . . . .	96-97
Rodage du moteur . . . . .	59-63

<b>S</b>	
Sacoches de selle . . . . .	18
<b>Sécurité</b>	
Chargement de la cargaison . . . . .	17-18
Échappement . . . . .	22
Essence . . . . .	22
Utilisation du carburant . . . . .	22
Sélection et installation des accessoires . . . . .	21

<b>S</b>	
<b>Spécifications . . . . . 150-154</b>	
Carburant . . . . .	154
Huile moteur . . . . .	154
Stabilisateur de carburant . . . . .	136
Stationnement à flanc de pente . . . . .	69
Stationnement de la motocyclette . . . . .	19, 69
Stationnement sur une surface meuble . . . . .	69
Système d'accélération . . . . .	99
Système d'alimentation en carburant, amorçage . . . . .	61
Système de contrôle d'émissions des vapeurs de carburant . . . . .	48, 95

<b>T</b>	
Tableau d'entretien . . . . .	72-74
Tachymètre . . . . .	34
<b>Témoin</b>	
Bas niveau de carburant . . . . .	37
Basse pression d'huile . . . . .	37
Clignotants . . . . .	37
Feu de route . . . . .	36
Point mort . . . . .	36
Surmultipliée . . . . .	35
Vérification du moteur . . . . .	36
Termes de sécurité . . . . .	7
Transport d'un passager . . . . .	14

<b>T</b>	
Transport de charges . . . . .	17-18
Transport de la motocyclette . . . . .	20
Tuyau de carburant, rampe d'alimentation et raccords . . . . .	48

<b>U</b>	
Universel, outil . . . . .	124
Utilisation de casque . . . . .	15

<b>V</b>	
Véhicule, numéro d'identification . . . . .	30
Vêtements de conduite . . . . .	15
Vêtements de protection . . . . .	15
Vidange d'huile et remplacement du filtre . . . . .	75-76
Vidange d'huile moteur . . . . .	75-76
Voyant de vitesse surmultipliée . . . . .	35