



SLINGSHOT®



2015 Owner's Manual

California Proposition 65 Warning

This product contains or emits chemicals known to the state of California to cause cancer and birth defects or other reproductive harm.

Batteries, battery posts, terminals and related accessories contain lead and lead compounds, and other chemicals known to the State of California to cause cancer and birth defects or other reproductive harm.
WASH HANDS AFTER HANDLING.



For videos and more information about a safe riding experience with your POLARIS SLINGSHOT vehicle, scan this QR code with your smartphone.



SLINGSHOT®

2015 Owner's Manual

SLINGSHOT®
SLINGSHOT® SL

The SLINGSHOT vehicle is NOT a car.

The SLINGSHOT vehicle complies with Federal Motor Vehicle Safety Standards (FMVSS) and regulations of the United States Department of Transportation (DOT) applicable to motorcycles in the USA.

The SLINGSHOT vehicle does NOT comply with Federal Motor Vehicle Safety Standards (FMVSS) and regulations of the United States Department of Transportation (DOT) applicable to passenger cars in the USA.

Copyright 2014 Polaris Industries Inc.

All information contained within this publication is based on the latest product information available at the time of publication. Product improvements or other changes may result in differences between this manual and the vehicle. Depictions and/or procedures in this publication are intended for reference use only.

No liability can be accepted for omissions or inaccuracies. Polaris Industries reserves the right to make changes at any time, without notice and without incurring obligation to make the same or similar changes to vehicles previously built. Any reprinting or reuse of the depictions and/or procedures contained within, whether whole or in part, is expressly prohibited.

POLARIS® and SLINGSHOT® are trademarks of Polaris Industries Inc.

dexos® and dexos1® are registered trademarks owned by General Motors, LLC

DEX-COOL® is a registered trademark of General Motors Corporation

iPhone®, iPod®, iPod nano®, and iPod touch® are trademarks of Apple Inc., registered in the U.S. and other countries.

The Bluetooth® word mark and logos are registered trademarks owned by Bluetooth SIG, Inc. and any use of such marks by POLARIS is under license. Other trademarks and trade names are those of their respective owners.

Pandora®, the Pandora logo and the Pandora trade dress are trademarks or registered trademarks of Pandora Media, Inc. Used with permission.

Printed in U.S.A.

P/N 9923991

WARNING

Improper vehicle use can result in SEVERE INJURY or DEATH.

NEVER Operate:

- If you are under the age of 16 and without a driver's license with motorcycle endorsement.
- Under the influence of drugs or alcohol.
- Unless all occupants are able to sit with back against the seat and feet firmly on the floorboard.
- With a child safety seat installed in this vehicle.
- While using a mobile phone or other handheld device.
- Off-road.
- With more than one passenger. Allow a passenger to ride only in the passenger seat.
- With weight (riders and cargo) that exceeds the maximum weight rating of the vehicle. See the Manufacturing Information Label (page 15).

ALWAYS:

- Wear a full-face helmet (DOT-certified in USA) and eye protection that meets or exceeds established safety standards. This vehicle is not equipped with airbags.
- Wear the seat belt at all times.
- Reduce speed on wet or slippery surfaces.
- Keep both hands on the steering wheel when driving.
- Make sure passenger reads and understands all safety labels.
- Keep hands, arms and feet inside the vehicle at all times.
- Be aware of your surroundings and driving conditions.
- Be prepared for changing weather conditions and dress accordingly.
- Use only genuine SLINGSHOT accessories designed for your SLINGSHOT vehicle.



**ALWAYS WEAR
AN APPROVED
FULL-FACE
HELMET**



**ALWAYS WEAR
EYE
PROTECTION
AND SEAT BELT.**



**NEVER USE
WITH
DRUGS OR
ALCOHOL.**

READ OWNER'S MANUAL. FOLLOW ALL INSTRUCTIONS AND WARNINGS.

Safety Training

Safety training is a top priority for POLARIS. POLARIS strongly encourages you to take a rider education course from the **Motorcycle Safety Foundation** or another qualified instructor. The course will help you develop or refresh your expertise in safe driving habits through instruction and practice.

For information on **Motorcycle Safety Foundation** rider education courses in your area, call 1-800-446-9227 or visit their home page at www.msf-usa.org.

See page 9 for more information about a 3-wheel rider course.

TABLE OF CONTENTS

Introduction	6
Safety	7
Reporting Safety Defects	14
Features and Controls	16
Pre-Ride Inspections	36
Operation	39
Maintenance	48
Cleaning and Storage	78
Transporting and Towing	81
Troubleshooting	82
Specifications	84
Recommended Service Products	86
Warranty	87
Maintenance Log	97
Audio System	98
Index	131

INTRODUCTION

Welcome to our world-wide family of riding enthusiasts. Be sure to visit us online at www.polaris.com for the latest news, new product introductions, upcoming events, career opportunities and more.

Here at POLARIS we proudly produce an exciting line of utility and recreational products.

- Snowmobiles
- All-terrain vehicles (ATVs)
- Low emission vehicles (LEVs)
- *RANGER*® utility vehicles
- *RZR*® sport vehicles
- *VICTORY*® motorcycles
- *GEM*® vehicles
- *SLINGSHOT*® vehicles

For the safe and enjoyable operation of your *SLINGSHOT* vehicle, be sure to follow the instructions and recommendations in this manual. Keep this manual with the vehicle, especially when ownership changes. If your owner's manual is misplaced or damaged, please purchase a replacement from your authorized *SLINGSHOT* dealer (referred to as "dealer" in the remainder of this manual).

All references in this manual to **RIGHT**, **LEFT**, **FRONT** or **REAR** are from the operator's perspective when seated in a normal driving position. If you have questions about the operation or maintenance of your *SLINGSHOT* vehicle after you've read this manual, please see your authorized *SLINGSHOT* dealer. To locate your nearest authorized dealer, call 1-800-POLARIS (765-2747) or visit www.polaris.com.

This vehicle complies with all federal, state and local safety and emission regulations for the area of intended sale.

Identification Number Record

Record important identification numbers below:	
Vehicle Identification Number (VIN) (see page 15)	
Engine Identification Number (see page 16)	
Ignition Key Number (see page 16)	

WARNING

Failure to follow recommended precautions and procedures could result in severe injury or death. Always heed all safety precautions and follow all operation, inspection and maintenance procedures outlined in this manual.

This owner's manual contains information that is essential to the safe use and proper maintenance of your SLINGSHOT vehicle. Anyone who operates the SLINGSHOT vehicle must read the owner's manual and all safety labels on the vehicle before operating.

- Anyone who operates the SLINGSHOT vehicle must have a valid driver's license with a motorcycle endorsement. Never allow anyone without a valid driver's license and motorcycle endorsement to operate this vehicle.
- Never allow anyone under the age of 16 to operate this vehicle.
- Never install a child safety seat in this vehicle. All riders must be tall enough to sit with backs against the seat, both feet flat on the floor and seat belts properly secured.
- The driver and passenger must wear a full-face DOT-approved helmet, eye protection and seat belt at all times.
- Always keep hands, arms and feet inside the vehicle at all times.
- Avoid wearing long scarves and clothing that may trail outside the rider compartment.
- Always make sure all cargo and other items in the rider compartment are properly secured before operating.
- The SLINGSHOT vehicle handles differently than 2-wheel motorcycles and other on-road vehicles. Read the section in this manual entitled *SLINGSHOT Vehicles vs. Other On-Road Vehicles*. See page 39.
- This manual was written in North America, where vehicle operation is in the right driving lane. You may need to adapt some of the instructions to the driving conditions (such as left-lane operation) and regulations in your area of operation.
- Carefully read and understand the information found in this *Safety* section of the owner's manual.
- Understand and follow the procedures outlined in the *Maintenance* section to keep your vehicle in peak condition on the road or in storage. See page 48.
- Bring this manual with you when you ride. Following the precautions and procedures in the manual will add to your enjoyment and help keep you riding safely.
- If you lose or damage this manual, you can purchase a new one through any authorized dealer. The owner's manual should be considered part of the vehicle and remain with it if the vehicle is sold. This manual is also available online under the *Rider Community* link at www.polaris.com.

SAFETY

About the Owner's Manual

Safety Symbols and Signal Words

The following signal words and symbols appear throughout this manual. Your safety and the safety of others is involved when these words and symbols are used. Become familiar with their meanings before reading the manual.



The safety alert symbol indicates a potential personal injury hazard.

DANGER

A DANGER indicates a hazardous situation that, if not avoided, will result in death or serious injury.

WARNING

A WARNING indicates a hazardous situation that, if not avoided, could result in death or serious injury.

CAUTION

A CAUTION indicates a hazardous situation that, if not avoided, could result in minor or moderate injury.

NOTICE

A NOTICE indicates a situation that could result in property damage.



The Prohibition Safety Sign indicates an action NOT to take in order to avoid a hazard.



The Mandatory Action Sign indicates an action that NEEDS to be taken to avoid a hazard.

Safe Driving Practices

▲ WARNING

Improper use of this vehicle can result in serious injury or death to you, your passenger and others. To minimize the risk of injury, read and understand the information contained in this section before operating the vehicle. This section contains safety information specific to the SLINGSHOT vehicle, as well as information about general vehicle safety. Anyone who operates this vehicle must follow these safety precautions.

Operating a SLINGSHOT vehicle has inherent risks.

You can minimize those risks, but you can't eliminate them completely. Even if you're an experienced 3-wheel vehicle operator or passenger, read all of the safety information in this manual before operating this SLINGSHOT vehicle.

- Take a 3-wheel vehicle rider course from the Motorcycle Safety Foundation or another qualified instructor. The course will help you learn effective turning and braking techniques, traffic strategies and evasive maneuvers, in addition to general safe riding habits. To locate a rider course in your area, contact the Motorcycle Safety Foundation at 1-800-446-9227 or visit their web page at www.msf-usa.org. You may also contact your dealer or the motorcycle regulatory agency in your area of operation.
- Observe all maintenance requirements specified in this manual. For assistance, see the *SLINGSHOT Service Manual* or your authorized SLINGSHOT dealer.

Design characteristics affect how you should operate the SLINGSHOT vehicle:

- The SLINGSHOT is a lightweight 3-wheel vehicle. As such, it will respond differently than other on-road vehicles in various road and weather conditions. Thoroughly read your owner's manual and take safety training before operating the SLINGSHOT.
- The SLINGSHOT vehicle is designed for on-road use by one operator with one passenger. The Manufacturing Information label placed on the vehicle contains the Vehicle Identification Number (VIN), Gross Vehicle Weight Rating (GVWR) and Gross Axle Weight Rating (GAWR) information. See page 15. *Never exceed the GVWR or the GAWR.*
- Driving off-road, driving at excessive speeds, driving with more than one passenger or carrying weight exceeding the maximum weight rating can make handling difficult, which could cause loss of control resulting in injury or death.
- Since the SLINGSHOT has a single, centered rear wheel, "straddling" obstacles with the front tires increases the likelihood that you will encounter the obstacles with the rear tire.
- Read the section in this manual entitled *SLINGSHOT Vehicles vs. Other On-Road Vehicles*. See page 39.
- During the first 500 miles (800 km) of operation, follow all break-in procedures as outlined in the break-in section beginning on page 40. Failure to do so can result in serious engine damage.

SAFETY

Safe Driving Practices

Wear protective apparel to decrease the risk of injury and increase riding comfort.

- Always wear a full-face helmet that meets or exceeds established safety standards. Approved helmets in the USA and Canada bear a U.S. Department of Transportation (DOT) label. Laws in some areas *require* that riders wear an approved helmet. Head injuries are the leading cause of fatalities in accidents involving vehicles such as the SLINGSHOT vehicle. Statistics prove that an approved helmet is the most effective protection in preventing or reducing head injuries.
- Wear eye protection to protect eyes from wind or airborne particles and objects. Laws in some areas *require* that you wear eye protection. POLARIS recommends that you wear approved Personal Protective Equipment (PPE) bearing markings such as VESC 8, V-8, Z87.1, or CE. Make sure protective eyewear is kept clean.
- Be prepared for changing weather conditions and dress accordingly.

Follow these general safe driving practices:

- Always inspect the vehicle before each use to make sure it's in safe operating condition. See page 36. Failure to do so may result in vehicle damage or an accident.
- Until you're thoroughly familiar with the SLINGSHOT and all of its controls, practice driving where there is little or no traffic. Practice driving at a moderate speed on various road surfaces and in different weather conditions. Practice braking in a safe area to become familiar with the feel of the SLINGSHOT brakes before driving in traffic.
- Know your skills and limits, and ride within them.
- Allow only licensed, experienced operators to operate your SLINGSHOT, and then only after they have become familiar with its controls and operation. Make sure all riders read and understand this owner's manual before riding.
- Do not ride when you're fatigued or under the influence of alcohol, prescription drugs, over-the-counter drugs or any other drugs. Fatigue, alcohol and drugs can cause drowsiness, loss of coordination and loss of balance. They can also affect your awareness and judgment.
- If your vehicle operates abnormally, cease operation and correct the problem immediately. See the *SLINGSHOT Service Manual* or an authorized SLINGSHOT dealer.
- Ride defensively, as if you are invisible to other motorists, even in broad daylight. Smaller profile vehicles, such as 2-wheel motorcycles and 3-wheel vehicles such as the SLINGSHOT vehicle may not be immediately seen and recognized by some motorists, which can lead to accidents. Ride where you're clearly visible to other motorists, and observe their behavior carefully. Always be prepared to take evasive action.
- Be especially cautious at intersections, where accidents often occur.

Safe Driving Practices

Follow these general safe driving practices:

- To prevent loss of control, keep both hands on the steering wheel unless you're shifting gears.
- Obey the speed limit and adjust your speed and driving technique based on road, weather and traffic conditions. As you travel faster, the influence of all other conditions increases, which can increase the possibility of losing control.
- Driving while distracted can result in loss of vehicle control, accident and injury. Do not use a mobile phone or other handheld device while operating the vehicle.
- Improper braking may cause loss of control. Apply the brakes gradually when the road is wet, rough or slippery. Allow for a greater braking distance in these conditions. If possible, avoid applying the brakes while making a turn.
- Reduce speed in wet conditions. Pay particular attention if water is beginning to pool on the road. Three-wheeled vehicles behave differently than other vehicles when driving over deep water. Your SLINGSHOT vehicle may hydroplane, which could result in loss of control, if operating speed is too high for the depth of water on the road.

Use of Accessories

- Never modify this vehicle through improper installation or use of accessories that are not SLINGSHOT-approved. Use only genuine SLINGSHOT accessories designed for your SLINGSHOT vehicle.
- Do not install electrical accessories that exceed the capacity of the vehicle's electrical system. Never install higher wattage light bulbs than those supplied as original equipment. An electrical failure could result and cause hazardous loss of engine power or lights, or damage to the electrical system.

Modifications

Modifying this vehicle by removing any equipment or by adding equipment not approved by SLINGSHOT may void your warranty. Such modifications could also make the vehicle unsafe and could result in severe injury to operator or passenger, as well as damage to the vehicle. Some modifications may not be legal in your area of operation. If in doubt, contact your authorized dealer.

Parking the SLINGSHOT Vehicle

To help prevent rolling, engage the park brake when the vehicle is parked. See page 29. When leaving the vehicle unattended, turn the engine off and engage the park brake. Remove the ignition key to prevent unauthorized use.

SAFETY

Fuel and Exhaust Safety

Always heed these fuel safety warnings when refueling or servicing the fuel system. For fuel recommendations and fueling procedures, see page 41.

⚠ WARNING

Gasoline is highly flammable and explosive under certain conditions.

- Always exercise extreme caution whenever handling gasoline.
- Always turn off the engine before refueling.
- Always refuel outdoors or in a well-ventilated area.
- Open the fuel cap slowly. Do not overfill the tank. Do not fill the tank neck.
- Do not smoke or allow open flames or sparks in or near the area where refueling is performed or where gasoline is stored.

Gasoline and gasoline vapors are poisonous and can cause severe injury.

- Do not swallow gasoline, inhale gasoline vapors, or spill gasoline. If you swallow gasoline, inhale more than a few breaths of gasoline vapor, or get gasoline in your eyes, see a physician immediately.
- If gasoline spills on your skin or clothing, immediately wash it off with soap and water and change clothing.

Exhaust gases contain carbon monoxide, a colorless, odorless gas that can cause loss of consciousness or death in a short time.

- Never start the engine or let it run in an enclosed area.
- Never inhale exhaust gases.

Safety Maintenance

Careful periodic maintenance will help keep your vehicle in the safest, most reliable condition. Perform all periodic maintenance at the recommended intervals outlined in the Periodic Maintenance section beginning on page 51. Record maintenance and service in the Maintenance Log beginning on page 97.

Inspect, clean, lubricate, adjust and replace parts as necessary. When inspection reveals the need for replacement parts, use genuine SLINGSHOT parts available from your SLINGSHOT dealer.

NOTE: Service and adjustments are important for proper vehicle operation. If you're not familiar with safe service and adjustment procedures, have your authorized dealer perform these operations.

- Before each ride, perform the Pre-Ride Inspections. See page 36.
- Always maintain proper tire pressure, tread condition and wheel and tire balance. Inspect tires regularly and replace worn or damaged tires promptly. Use only SLINGSHOT-approved replacement tires.
- Fasteners must meet original specifications for quality, finish and type to ensure safety. Use only genuine SLINGSHOT replacement parts, and ensure that all fasteners are tightened to the proper torque.

Electromagnetic Interference

This vehicle complies with European directive 97/24/EC Chapter 8 requirements, which is equivalent to Canadian ICES-002.

Industry Canada ICES-002 (Interference-Causing Equipment Standard)

The spark ignition system complies with the Canadian standard ICES-002.

Le système d'allumage par étincelle de véhicule est conforme à la norme NMB-002 du Canada.

SAFETY

Gross Vehicle Weight Rating (GVWR)

WARNING! Exceeding the gross vehicle weight rating of your vehicle can reduce stability and handling and could cause loss of control. NEVER exceed the GVWR of your vehicle.

The *maximum load capacity* of your vehicle is the maximum weight you may add to your vehicle *without exceeding the GVWR*. This capacity is determined by calculating the difference between your vehicle's GVWR and wet weight. Refer to the specifications section beginning on page 84.

Refer to the specification section of this manual or the Manufacturing Information/VIN label on the vehicle frame for model-specific information. See page 15.

When determining the weight you will be adding to your vehicle, and to ensure you do not exceed the maximum load capacity, include the following:

- operator body weight
- passenger body weight
- weight of all riders' apparel and items in or on apparel
- weight of any non-factory-installed accessories
- weight of any additional cargo on the vehicle

Reporting Safety Defects

If you believe that your vehicle has a defect that could result in a crash or cause injury or death, you should immediately inform the National Highway Traffic Safety Administration (NHTSA) in addition to notifying POLARIS Industries in writing.

If NHTSA receives similar complaints, it may open an investigation, and if it finds that a safety defect exists in a group of vehicles, it may order a recall and remedy campaign. However, NHTSA cannot become involved in individual problems between you, your dealer or POLARIS Industries.

To contact NHTSA, or obtain other information about motor vehicle safety, you may either call the Vehicle Safety Hotline toll-free at 1-888-327-4236 (TTY: 1-800-424-9153), visit the NHTSA website at www.safercar.gov, or write to:


ADMINISTRATOR, NHTSA
1200 New Jersey Avenue, SE
West Building
Washington, DC 20590

Safety and Information Labels

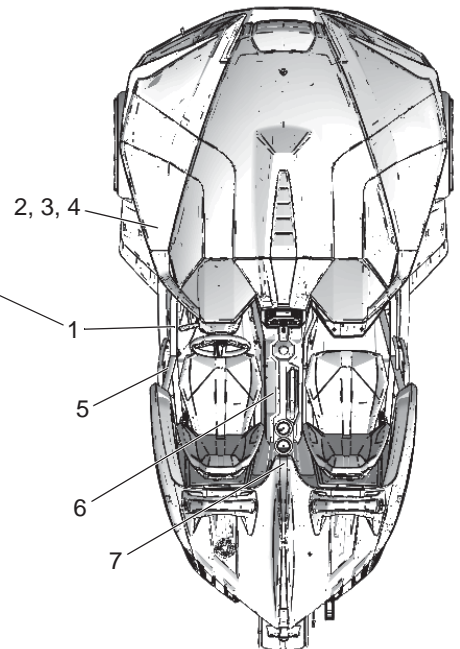
Labels are model-specific and market-specific. Your vehicle may not contain all of the labels shown.

1. Manufacturing Information/Vehicle Identification Number (VIN) Label (on frame near driver's left knee area), including ICES-002 (Interference-Causing Equipment Standard) Label (Canada only)
2. Vehicle Emission Control Information (VECI) Label (under hood)
3. Evaporative Hose Routing Label (California) (under hood)
4. Service Information Label (under hood)
5. Tire Information Label (Canada only) (on inside body panel near driver's left hip area)
6. Frontal Crash (CMVSS 208) Waiver Label (next to park brake lever)
7. Operation Warning Label

GVWR Information
Tire & Wheel Information
Date of Manufacture

MANUFACTURED BY: POLARIS INDUSTRIES INC.			DATE MFD: 02/2014	
GVWR: 2139 LBS (997 KG)			MODEL: T15AASFAC	
	GAWR	TIRE	RIM	COLD INFLATION PRESSURE
F:	1321 LBS (599 KG)	205/50 R17 93W	17" X 7.0"	32 PSI (221 KPA)
R:	878 LBS (398 KG)	265/35 R18 93W	18" X 9.5"	32 PSI (221 KPA)
THIS VEHICLE CONFORMS TO ALL APPLICABLE FEDERAL MOTOR VEHICLE SAFETY STANDARDS IN EFFECT ON THE DATE OF MANUFACTURE SHOWN ABOVE				
VIN:	*57XAASFA5F5000107*			 717896
	TYPE: MOTORCYCLE	ASSEMBLED IN THE U.S.A.		

GAWR Information
VIN Number



CMVSS 208 Waiver

This vehicle does not conform to the requirements of the dynamic or static tests set out in Canada CMVSS 208.

Ce véhicule n'est pas conforme aux exigences des essais dynamiques ou statiques prévues par la NSVAC 208 du Canada.

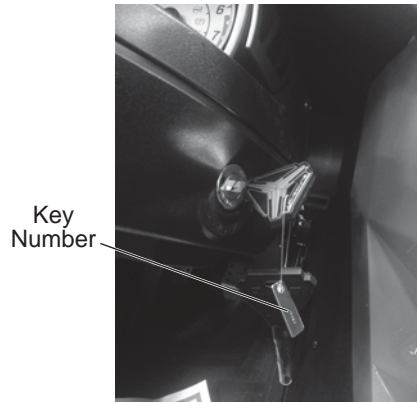
FEATURES AND CONTROLS

Ignition Key Number

The ignition key number is stamped on the small metal tag attached to the key ring. *Remove* the tag and record the number on page 6. Store the tag in a safe place.

Additional keys can be copied from one of the original keys. A key blank from your dealer is required. If you lose both original keys, you will need the following:

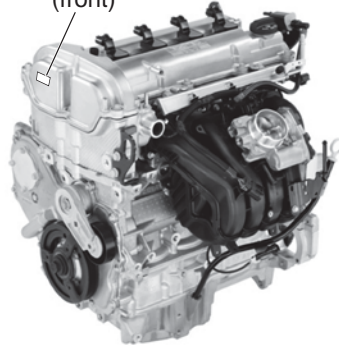
- Key number (recorded on page 6)
- A new key blank from your dealer
- Proof of ownership
- A locksmith or dealer with the equipment necessary to cut a new key



Engine Identification Number

The engine identification number is stamped on a pad on the oil filter bowl. The number is also provided on labels located on the front and rear of the cam cover. Record the number in the space provided on page 6.

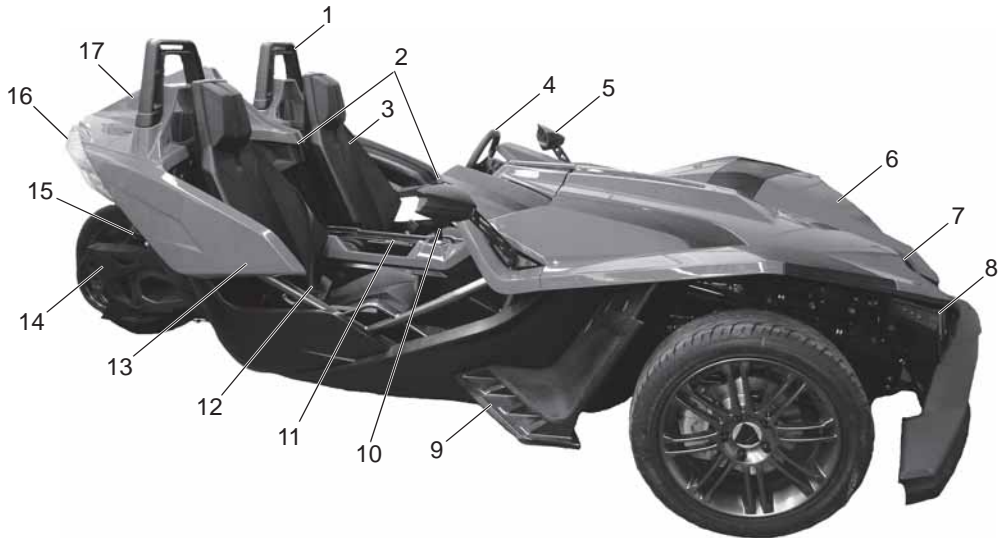
Engine Number (front)



Engine Number

FEATURES AND CONTROLS

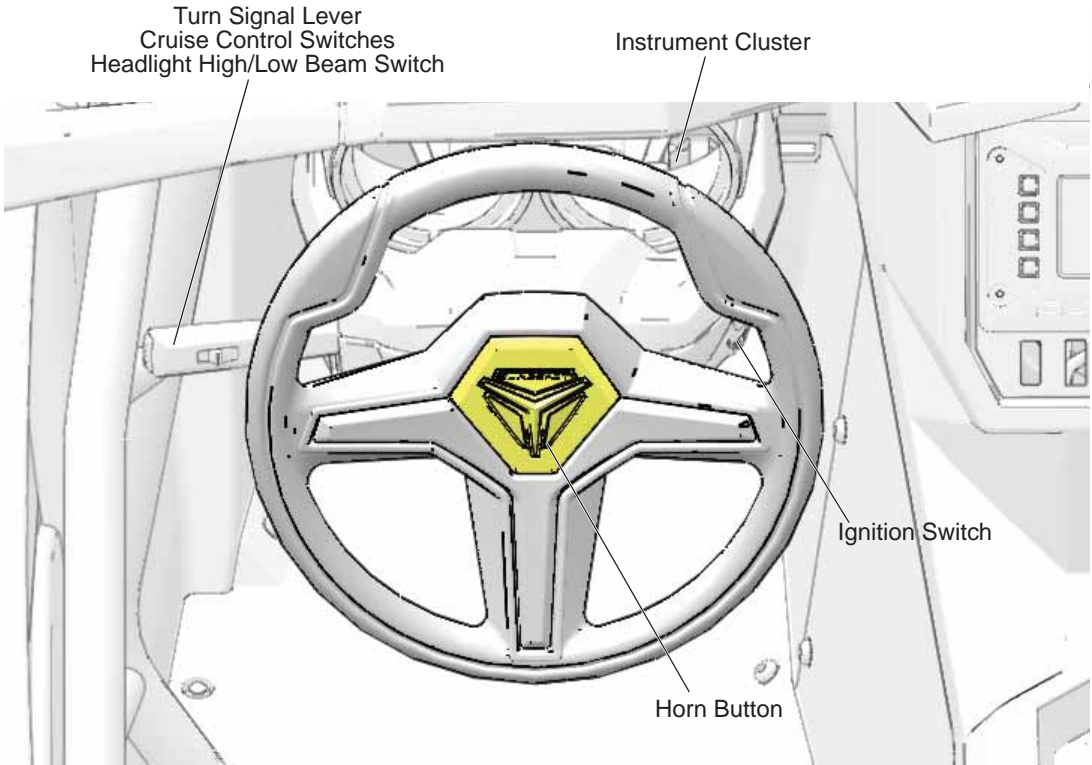
Component Locations



1. Roll Hoop
2. Auxiliary 12V Outlets (between seats and in glove box)
3. Seat
4. Steering Wheel
5. Side-View Mirror
6. Hood
7. Center Main Headlight (USA)
8. Headlight/Front Turn Signal Light
9. Splash Guard
10. Gear Shifter
11. Park Brake Lever
12. Seat Belts
13. Rear Side Panel
14. Rear Swing Arm
15. Rear Shock
16. Taillight/Brake Lights/Rear Turn Signal Lights
17. Rear Fin/Center High Mounted Stop Light

FEATURES AND CONTROLS

Console and Switches



Horn

Press the horn button to sound the horn. The ignition switch must be in the ON position.

Ignition Switch

The ignition key operates the ignition switch, glove box lock and storage compartment locks (behind seats). Read the engine starting procedures beginning on page 42 before starting the engine. Store the spare key in a safe place separate from the main key.

Place the ignition key in the ignition switch to operate the following functions of the switch.

OFF	All electrical circuits are off. Hazard signals can be activated. The key can be removed.
ON	All electrical circuits are on. The ignition key cannot be removed. Headlight, taillight, running lights, turn signals, horn, radio and instrument lights are powered.
ACC	Power is supplied to accessory circuits, radio, instruments and hazard signals. The key can be removed.

Console and Switches

Turn Signal Lever

Before turning, activate a turn signal to alert others of your intentions. Check turn signal lamps before each ride.

NOTE: The key must be in the ON position to activate the turn signals.

1. Move the turn signal lever downward to signal a left turn. The left turn signal lamps at the front and rear of the vehicle will flash. The indicator arrows on the console will flash when a turn signal or hazard signal is activated.
2. Move the lever upward to signal a right turn. The right signal lamps and indicator will flash.
3. The turn signal automatically cancels and the lever returns to the center position when the turn is completed.

Headlight High/Low Beam Switch

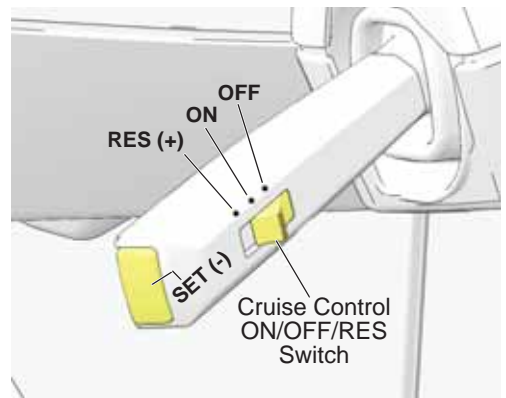
The headlights are always on when the ignition switch is in the ON position. To switch the headlights between low beam and high beam, tap the turn signal lever forward, toward the steering wheel. The master lighting switch (Canada) must be in the ON position to allow operation of the high beam and low beam headlights. See page 20.

Cruise Control Switches

The cruise control switches are located on the turn signal lever. Before using the cruise control, read the safety and operation procedures beginning on page 46.

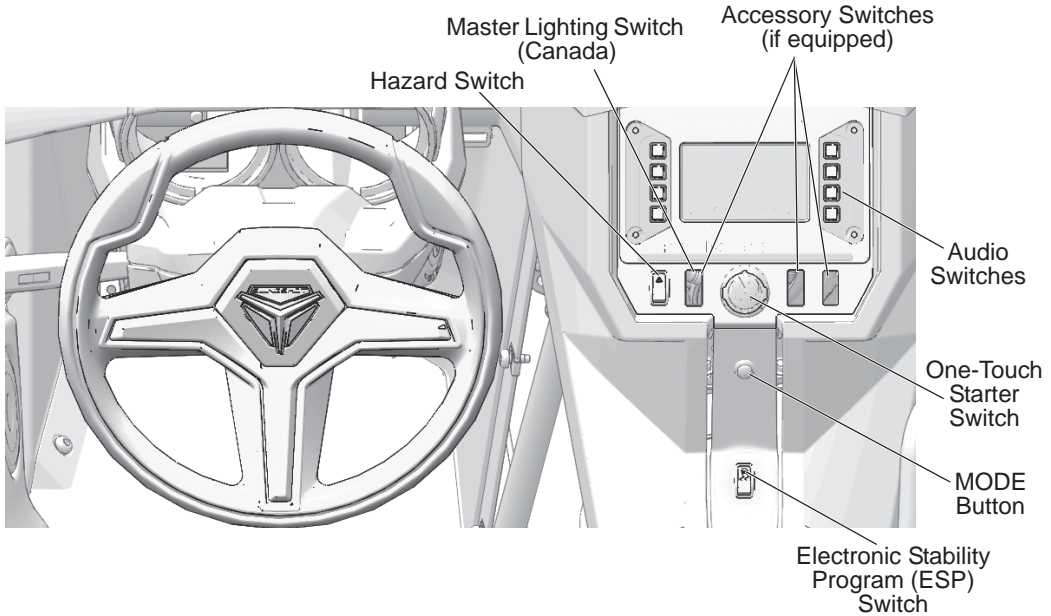
Instrument Cluster

The instrument cluster includes the speedometer, tachometer, indicator lamps and multi-function display. See page 22.



FEATURES AND CONTROLS

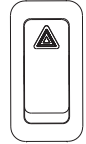
Console and Switches



Hazard Switch/Emergency Flashers

All turn signals flash when the emergency flashers are activated. Press the top of the hazard switch to turn the flashers on. Press the bottom of the switch to turn the flashers off. The ignition switch does not have to be on to activate the flashers.

On



Off

Master Lighting Switch (Canada)

The master lighting switch must be in the ON position to allow operation of the high beam and low beam headlights.

One-Touch Starter Switch

Use the one-touch starter switch to start the engine. Read the engine starting procedures beginning on page 42 before starting the engine.

Audio Switches

Refer to the Audio System section of this manual (beginning on page 98) for radio and accessory audio system operation.

FEATURES AND CONTROLS

Console and Switches

Mode Button

Use the mode button to toggle through the modes of the multi-function display. See page 24. Use the mode button to set the display units to either standard or metric units of measurement. See page 25.

Electronic Stability Program (ESP) Switch

The ESP is active by default. This feature helps reduce the risk of accident by providing traction control and stability control. If ESP senses a loss of stability due to loss of traction (skidding) the ESP intervenes by automatically applying brakes to one or more wheels and reducing power to the rear wheel.

WARNING! No stability control, traction control or anti-lock braking system can fully protect you from every situation. Always be mindful of road conditions. Always drive safely and within the limits of the driver, vehicle and road conditions.

WARNING! Stability control, traction control and anti-lock braking systems rely on grip between the tires and the road to function properly. In a hydroplane situation, tires lose contact with the road and the effectiveness of these features may be diminished.

The electronic stability control system does not compensate for or reduce the risks associated with:

- excessive speed
- reduced traction on rough, uneven or loose surfaces
- poor judgment
- improper operation
- hydroplaning

Under certain circumstances, such as when the vehicle is stuck in a low traction situation, it may be necessary to disable the ESP temporarily. Always enable the ESP for normal operation.

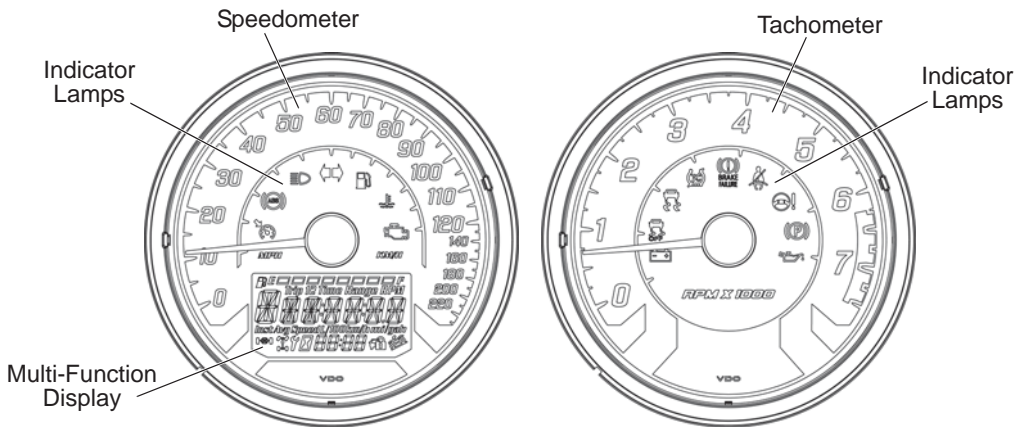
WARNING! Operating the vehicle under normal riding conditions with the ESP disabled could result in an increased risk of loss of vehicle control, rollover, personal injury and death.

ESP Switch Operation		
Objective	Action	Comments
Disable Traction Control	Press and release switch	Traction Control indicator illuminates in tachometer
Disable ESP (Traction Control and Stability Control)	Press and hold switch for 5 seconds	Traction Control indicator and ESP OFF indicator illuminate in tachometer
Enable ESP (if disabled)	Press and release switch	Traction Control indicator and ESP OFF indicator extinguish

FEATURES AND CONTROLS

Instrument Cluster

The instrument cluster includes the speedometer, tachometer, indicator lamps and multi-function display.



Speedometer




The speedometer displays vehicle speed in either miles per hour or kilometers per hour. See page 25.

Tachometer

The tachometer displays engine speed in revolutions per minute (RPM). A red line on the face of the gauge indicates the maximum safe engine speed.














WARNING! Excessive engine speed can cause engine damage or failure, which could result in serious injury or death. Do not allow engine speed to exceed the red line.

Indicator Lamps

Lamp	Indicates	Condition
	Cruise Control Engaged	Before using the cruise control, read the safety and operation procedures beginning on page 46.
	Anti-Lock Brake System	See your dealer if this lamp remains on. When the lamp is illuminated, the anti-lock brakes will not activate, but the conventional brake system will continue to operate normally.
	High Beam	This lamp illuminates when the headlamp switch is set to high beam.

FEATURES AND CONTROLS

Indicator Lamps

Lamp	Indicates	Condition
	Turn Signal Hazard Signals	Both arrows flash when either a turn signal or the hazard signal is activated. <i>If a lamp fails, or if there is a short circuit in the signal system, the lamp flashes at more than twice the normal rate.</i>
	Low Fuel	This lamp illuminates when approximately one gallon (3.8 liters) of fuel remains in the fuel tank.
	Hot Engine	This lamp illuminates to indicate an overheated engine. If the indicator flashes, the overheating condition remains, and the system will automatically reduce engine power.
	Check Engine	<i>If this lamp illuminates while the engine is running, contact an authorized dealer promptly for diagnosis.</i> If abnormal engine operation is detected the light will remain on as long as the fault condition exists. Retrieve the error codes for diagnosis. See page 26. This lamp is also known as a malfunction indicator lamp (MIL).
	Low Battery Voltage	This lamp illuminates when battery voltage is low (or when voltage is above the normal range). Turn non-essential accessories off to conserve power. Make sure the charging system is operating properly.
	Traction Control	This lamp illuminates if the user disables traction control with the ESP Switch. See page 21.
	ESP Disabled	This lamp illuminates if the user disables the ESP with the ESP Switch. Always enable the ESP for normal operation. See page 21.
	ESP Intervention	The ESP Intervention lamp <i>flashes</i> when the ESP is actively assisting. The lamp illuminates <i>solid</i> to indicate a system failure. See your dealer for service.
	Brake Failure	This lamp illuminates if a brake component is not operating properly. Do not operate the vehicle. Inspect brake fluid levels and/or see your dealer for service.
	Seat Belt	The seat belt lamp illuminates whenever the key is in the ON position and the driver's seat belt is not fastened.
	EPAS Warning	This lamp illuminates briefly when the key is turned to the ON position. If the ignition is left on for 5 minutes without starting the engine, the lamp illuminates to indicate that the EPAS has shut down to conserve battery power. If the lamp illuminates after starting the engine, the power steering system is inoperative. See your dealer for service.
	Park Brake Engaged	This lamp illuminates when the park brake is engaged. If it illuminates when the park brake is NOT engaged, see your dealer for service.
	Low Oil Pressure	This lamp illuminates if engine oil pressure drops below safe operating pressure. If this lamp illuminates while the engine is running, turn the engine off as soon as safely possible and check the oil level. <i>If the oil level is correct and the lamp remains on after the engine is restarted, turn the engine off immediately.</i>

FEATURES AND CONTROLS

Multi-Function Display

WARNING! Driving while distracted can result in loss of vehicle control, crash and serious injury or death. Use extreme caution when using any device that may take your focus off the road.

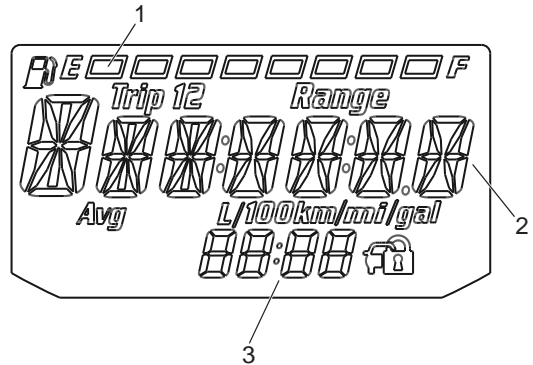
Use the mode button to toggle through the modes of the multi-function display. See page 21. Press and hold the mode button to reset the trip odometers and average fuel economy.

Modes Available	
Fuel Level Gauge	Fuel Range
Trip Odometer 1	Average Fuel Economy
Trip Odometer 2	Clock
Ambient Air Temperature	

1. **Fuel Gauge Display** - The segments of the fuel gauge show the level of fuel in the fuel tank. When the last segment clears, a low fuel warning is activated. All segments including the fuel icon will flash. Refuel immediately.

Tip: If the fuel icon fails to display, an open or short circuit has occurred in the fuel sensor circuit. See your dealer.

2. **Information Display** - This area displays odometer, trip meters (2), air temperature and fuel economy.
3. **Clock Display** - The clock displays time in a 12-hour or 24-hour format. See page 25 for resetting instructions.



FEATURES AND CONTROLS

Multi-Function Display Display Units (Standard/Metric)

The display can be changed to display either standard or metric units of measurement.

NOTE: To exit the set-up mode at any time, wait 10 seconds. The display automatically exits and returns to the odometer display.

	Standard Display	Metric Display	
Distance	Miles	Kilometers	
Fuel	U.S. Gallons	l = Imperial Gallons	Liter = Liters
Temperature	Fahrenheit	Celsius	
Time	12-Hour Clock	24-Hour Clock	

1. Turn the key to the OFF position.
2. Press and *hold* the mode button while turning the key to the ON or ACC position.
3. When the display flashes the distance setting, tap the mode button to advance to the desired setting.
4. Press and *hold* the mode button to save the setting and advance to the next display option.
5. Repeat the procedure to change remaining display settings.

Clock Mode

Tip: The clock must be reset any time the battery has been disconnected or discharged.

1. Turn the key to the ON position. Use the MODE button to toggle to the odometer display.
2. Press and *hold* the MODE button until the hour segment flashes. Release the button.
3. With the segment flashing, tap the MODE button to advance to the desired setting.
4. Press and *hold* the MODE button until the next segment flashes. Release the button.
5. Repeat steps 3-4 twice to set the 10-minute and 1-minute segments. After completing the 1-minute segment, step 4 will save the new settings and exit the clock mode.
6. Turn the key to the OFF position.

Odometer/Trip Meter Mode

The odometer displays the total distance traveled by the vehicle. Each trip odometer displays distance traveled since the trip odometer was reset. To view the trip odometer, turn the key to the ON position. Use the mode button to toggle to the trip odometer.

To reset the trip odometer, toggle to the trip odometer, then press and hold the mode button until the trip odometer resets.

FEATURES AND CONTROLS

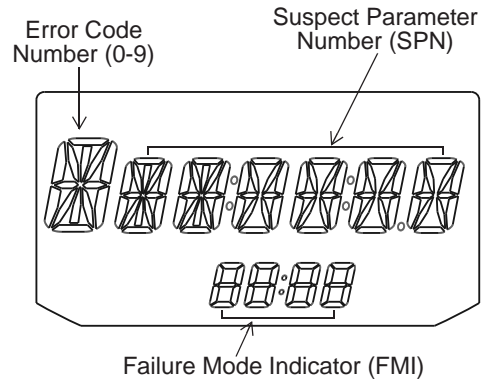
Multi-Function Display

Engine Error Codes

The error screen displays only when the CHECK ENGINE light is on or when it goes on and off during one ignition cycle. Error codes are not stored. When the key is turned OFF, the code and message is lost, but will reappear if the fault reoccurs after restarting the engine.

If the CHECK ENGINE indicator lamp illuminates, retrieve the error codes from the display.

1. If the error codes are not displayed, use the MODE button to toggle until "Ck ENG" displays on the main line of the display.
2. Press and hold the MODE button to enter the diagnostics code menu.
3. Record the numbers displayed in the gear position (if any), clock and odometer displays.
4. Press the MODE button to advance to the next error code.
5. Press and hold the MODE button to exit the diagnostics code menu.
6. See your authorized dealer for code details and diagnosis.



FEATURES AND CONTROLS

Starter Interlock Switch

The starter interlock switch prevents the electric starter from operating when the clutch is engaged (pedal released). Read the engine starting procedures beginning on page 42 before starting the engine.

WARNING! Never start the engine with the transmission in gear and the clutch disengaged unless you are properly seated with helmet on, seat belt secured and brakes applied.

Electronic Power-Assisted Steering (EPAS)

Electronic power-assisted steering engages when the ignition key is turned to the ON position. EPAS remains engaged whether the vehicle is moving or idle.

To conserve battery power, the EPAS will shut down 5 minutes after the engine is stopped if the key remains in the ON position. The EPAS warning indicator will illuminate to indicate the EPAS has shut down. Turn the key off and on to reset the unit.

See page 23 for EPAS warning indicator information.

Foot Controls (Foot Pedals)

Throttle Pedal

Depress the throttle pedal to increase engine speed and (when the transmission is in gear) vehicle speed. Spring pressure returns the pedal to the rest position when released. Always check that the throttle pedal returns normally before starting the engine.

Brake Pedal

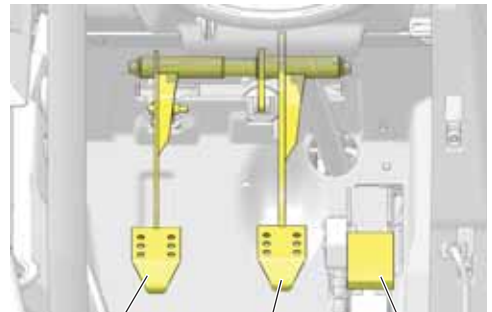
Depress the brake pedal to slow or stop the vehicle. Apply the brakes while starting the engine.

NOTE: The SLINGSHOT brakes are not power-assisted. Braking the SLINGSHOT may feel different than braking other types of vehicles. Practice braking in a safe area to become familiar with the feel of the SLINGSHOT brakes before driving in traffic.

Clutch Pedal

Depress the clutch pedal (disengage the clutch) before shifting gears. For smooth clutch operation, depress the pedal quickly and release it gradually.

- To disengage the clutch, press the pedal toward the floor.
- To engage the clutch, gradually release the clutch pedal.



Clutch Pedal

Brake Pedal

Throttle Pedal

FEATURES AND CONTROLS

Brakes

Anti-Lock Brake System (ABS)

The anti-lock brake system automatically reduces or increases brake pressure as needed to provide optimum braking control, reducing the chance of wheel lock-up during hard braking events or when braking on rough, uneven, slippery or loose surfaces.

WARNING! No stability control, traction control or anti-lock braking system can fully protect you from every situation. Always be mindful of road conditions. Always drive safely and within the limits of the driver, vehicle and road conditions.

WARNING! Stability control, traction control and anti-lock braking systems rely on grip between the tires and the road to function properly. In a hydroplane situation, tires lose contact with the road and the effectiveness of these features may be diminished.

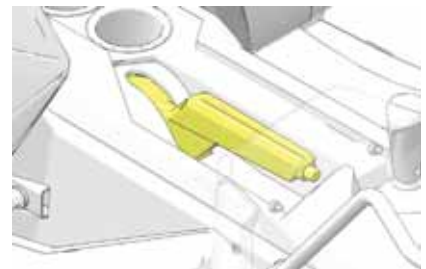
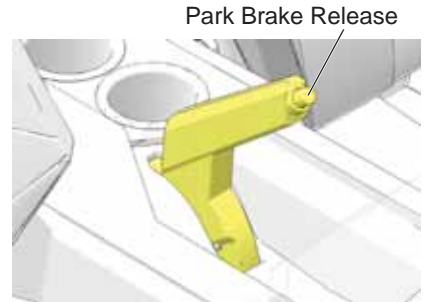
- The anti-lock brake system cannot be turned off.
- When the lamp is illuminated, the anti-lock brakes will not activate, but the conventional brake system will continue to operate normally. See your dealer promptly for service.
- Operating with non-recommended tires or improper tire pressure may reduce the effectiveness of the anti-lock brake system. Always use the recommended size and type of tires specified for your vehicle. Always maintain the recommended tire pressure.
- The anti-lock brake system will not prevent wheel lockup, loss of traction or loss of control *under all conditions*. Always adhere to all safe operating practices as recommended.
- It is not unusual to leave tire marks on the road surface during a hard braking event.
- The anti-lock brake system does not compensate for or reduce the risks associated with:
 - excessive speed
 - reduced traction on rough, uneven or loose surfaces
 - poor judgment
 - improper operation
 - hydroplaning

Park Brake Lever

The park brake lever is located between the seats. To help prevent the vehicle from rolling, engage the park brake when the vehicle is parked. When the park brake is engaged and the park brake indicator is illuminated, the vehicle will not move. Always apply the brakes before engaging or releasing the park brake.

1. To engage the park brake, apply the brakes. Pull the park brake lever upward as far as possible.
2. To release the park brake, apply the brakes. Press the park brake release inward and move the lever downward as far as possible.

NOTICE: Always make sure parking brake is fully released before attempting to move the vehicle. Failure to do so can cause damage to the rear brakes.



FEATURES AND CONTROLS

Adjustable Seats

Seatback Adjustments

Lift and hold the seat adjustment lever to release the seatback latch. Adjust seatback angle or tilt the seatback forward to access the storage compartment. Release the lever. After adjusting, make sure the seatback latches securely in place.

Driver's Seat Adjustments

To adjust the driver's seat forward or rearward, pull upward on the bar under the front edge of the seat. Slide the seat to the desired position and release the lever. Make sure the seat latches securely in place.

WARNING! Making adjustments while driving could result in loss of control. Never make adjustments while driving.

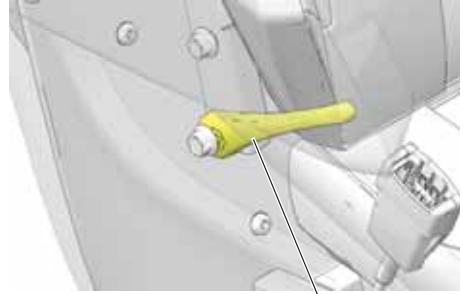
Adjustable Steering Wheel

The steering wheel can be tilted upward or downward for rider preference.

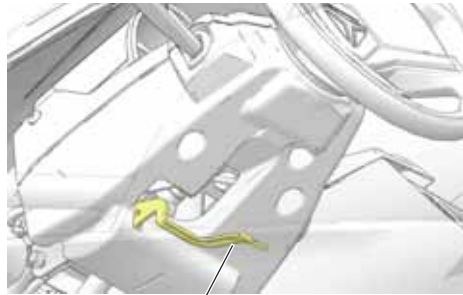
WARNING! Making adjustments while driving could result in loss of control. Never make adjustments while driving.

1. Pull the adjustment lever downward to unlock the steering column.
2. Move the steering wheel upward or downward to the desired position.
3. Push the adjustment lever upward to lock the steering column in position. Make sure the lever is fully seated.

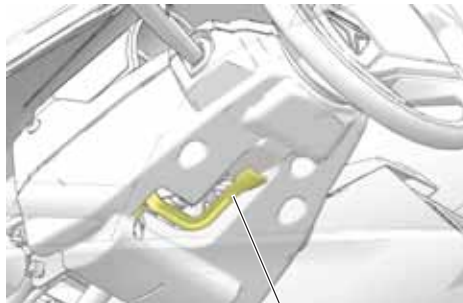
WARNING! Make sure the wheel is positioned so that it rotates freely and allows enough room between your legs and the rim of the wheel for your hands to pass without obstruction. Failure to do this could cause difficulty steering and result in loss of control.



Seat Adjustment Lever



Steering Column Unlocked



Steering Column Locked

FEATURES AND CONTROLS

Hood

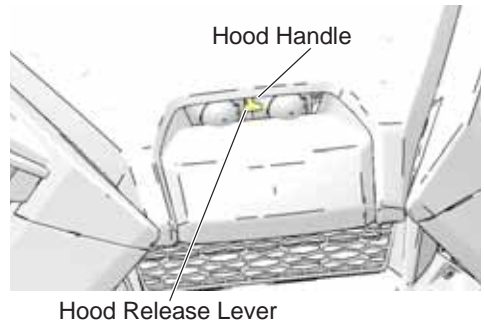
Open the hood to access the engine compartment. The hood release lever is located between the headlights.

1. Push the hood release lever downward to disengage the four hood latches.

CAUTION! Always use only the hood handle when opening the hood. Do not grasp the hood edges.

2. The metal hood handle is a plate located above the release lever and on the underside of the hood plastic. Firmly grasp the hood handle and pull the hood upward and forward, rotating the hood to a vertical position at the front of the vehicle.

3. To close the hood, grasp the hood handle. Pull the handle upward and toward the vehicle until the hood is fully seated. Apply firm downward pressure on the hood at all four latch points to ensure the hood is securely latched at all four points.

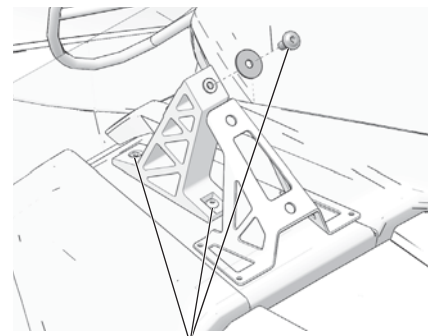


Windshield (if equipped)

NOTICE: Brake fluid and alcohol will permanently damage the windshield. Do not use glass cleaners, water or soil repellents, and petroleum or alcohol based cleaners on the windshield, as these products can damage the windshield.

The windshield provides wind protection and increased riding comfort but will not protect riders in a collision with another vehicle, the road, birds or any other object. Do not ride with a loose or damaged windshield or mounting hardware. Regularly check all fasteners for tightness.

Tighten all center windshield mount screws (if equipped) to 6-8 ft-lbs (8-11 Nm). Tighten all other screws only until the wellnut begins to turn.



Center Windshield Mount Screws
(if equipped)
6-8 ft-lbs (8-11 Nm)

Windshield Care

Clean the windshield with a soft cloth and plenty of warm water. Dry with a soft clean cloth. Remove minor scratches with a high-quality polishing compound designed for use on polycarbonate surfaces.

WARNING! Always replace the windshield if scratches obstruct clear vision and cannot be removed.

Fuel Cap

The fuel tank filler cap is located on the left side of the vehicle, behind the driver's seat.



Fuel Cap

FEATURES AND CONTROLS

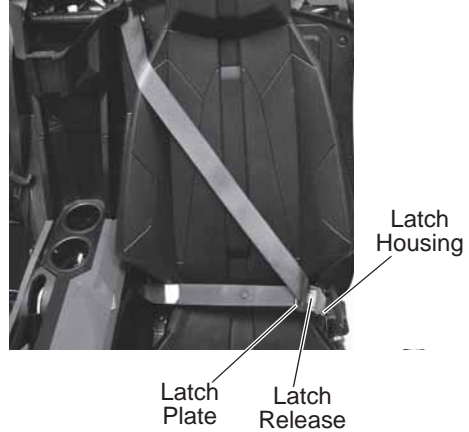
Seat Belts

This vehicle is equipped with three-point lap and diagonal seat belts on all seats. Always make sure the seat belts are secured for the driver and passenger before operating.

WARNING! The SLINGSHOT is a motorcycle (not a car) and does not meet automotive frontal crash and impact standards. In the event of a rollover or crash, an unbelted person is significantly more likely to be thrown from a vehicle and die than a person wearing a safety belt.

To wear the seat belt properly, follow this procedure:

1. For 3-point belts, pull the seat belt latch downward and across your chest toward the latch housing at the outer edge of the seat. The belt should fit snugly across your hips and diagonally across your chest. Make sure the belt is not twisted.
2. Push the latch plate into the latch housing until it clicks.
3. Release the strap, it will self-tighten.



WARNING! Failure to wear the seat belt properly could result in serious injury or death. Wear the shoulder belt on the inside shoulder only. Never wear the shoulder belt under your arm or behind your body.

4. To release the seat belt, press the square red button at the center of the latch housing.

Seat Belt Inspection

Inspect all seat belts for proper operation before each use of the vehicle.

1. Push the latch plate into the latch housing until it clicks. The latch plate must slide smoothly into the housing. A click indicates that it's securely latched.
2. Push the red release latch at the center of the latch housing to make sure it releases freely.
3. Pull each seat belt completely out and inspect the full length for any damage, including cuts, wear, fraying or stiffness. If any damage is found, or if the seat belt does not operate properly, have the seat belt system checked and/or replaced by your authorized dealer.
4. To clean dirt or debris from the seat belts, sponge the straps with mild soap and water. Do not use bleach, dye or household detergents.

FEATURES AND CONTROLS

Mirrors

Use the mirrors to assist in traffic maneuvers. Always check and adjust the mirrors before driving the vehicle.

Radio/Audio System

Refer to the Audio System section of this manual (beginning on page 98) for radio and accessory audio system operation.

Back-Up Camera (if equipped)

Some SLINGSHOT vehicles are equipped with an accessory back-up camera. The back-up camera is not intended to replace standard driving practices of checking your surroundings before operating in reverse. Always check for pedestrians, vehicles and other obstacles before operating in reverse.

If your vehicle is equipped with a back-up camera, view the image on the display screen as needed while operating in reverse. See page 45. The camera and display screen automatically activate when the transmission is shifted to reverse gear.



Storage Compartments

Use the ignition key to lock or unlock a storage compartment door.

The glove box compartment is located on the console in front of the passenger seat. Press and release the latch button to open the door. Do not open the glove box door while operating. Stowed items could be ejected due to air movement in the vehicle.

A larger storage compartment is located behind each seat. Tilt the seatback forward to access the storage compartment. When unlocked, pull abruptly on the tab located above the lock to open the door. Close the door and tap each corner abruptly to engage the rubber compression plugs.



Glove Box



Storage Compartments (behind seats)

FEATURES AND CONTROLS

Security System (Canada)

Your SLINGSHOT vehicle is equipped with a security system for theft and roll-away protection. The security system automatically immobilizes the engine when the ignition is switched off, and enables the engine when the ignition is switched on and a passcode is entered. After the passcode is entered, a slight delay before the starter engages is normal.

Change the factory-set passcode to a new passcode of your own choosing and select the desired security setting as soon as possible after receiving delivery of your new SLINGSHOT vehicle. Record your new passcode and keep it in a safe location. *Do not place your 4-digit passcode anywhere in the vehicle.*

NOTE: The park brake must be engaged for the SECURITY menu to be accessible in the gauge.

Changing the Passcode

The factory-set passcode is 0000. Enter this passcode at step 5 the first time you change the passcode.

1. Unlock the security system. See page 35.
2. With the engine off and the park brake engaged, press and release the MODE button repeatedly until “SECURE” displays in the gauge.
3. Press and hold the MODE button until “SETCODE” displays.
4. Press and hold the MODE button until “OldCodE” displays.
5. Enter your existing passcode using the same process used to unlock the system.
6. If the passcode is not correct, “bAd COdE” displays. Re-enter the correct passcode. If the passcode entered is correct, “NEWCodE” displays.
7. Enter your new passcode using the same process used to unlock the system.
8. When “CONFIRM” displays, re-enter the new passcode to confirm.
9. If the two entries do not match, “bAd COdE” displays and you’ll be returned to step 7. If the two entries match, “SUCCESS” displays. The passcode has been changed.
10. Record your new passcode and keep it in a safe location. *Do not place your 4-digit passcode anywhere in the vehicle.*

FEATURES AND CONTROLS

Security System (Canada)

Security Levels

The security system offers three security levels as outlined below:

Security Level	Engine Starting Requirements
PASSIVE (default setting)	When set to PASSIVE, use of the ignition key is required. Manual entry of your passcode is not required.
ACTIVE	When set to ACTIVE, you will be prompted to press the MODE button within 10 seconds of turning the ignition switch off. The system will then require manual entry of your passcode the next time the ignition switch is turned on. See Unlocking the Security System. If you fail to press the MODE button within the allotted time, the system will not require manual entry of your passcode the next time the ignition switch is turned on.
AUTO	When set to AUTO, the system requires manual entry of your passcode every time the ignition switch is turned on.

Changing the Security Level

The security level can be changed at any time by using the following procedure.

1. Unlock the security system.
2. With the engine off and the park brake engaged, press and release the MODE button repeatedly until “SECURE” displays in the gauge.
3. Press and hold the MODE button until “SETCODE” displays.
4. Press and release the MODE button once to display the current security level.
5. Press and hold the MODE button to cycle through the three security level options. Release the button when the desired security level displays.
6. To save the displayed setting, press and release the MODE button once. “EXIT” will display.
7. Press and hold the MODE button to exit the security menu.

Unlocking the Security System

1. Turn the ignition switch to the ON position. The gauge will display “ENtCOde”.
2. Press and release the MODE button once to advance the digit by one increment. Repeat until the desired digit displays.
3. Press and hold the MODE button to save the digit and advance to the next digit.
4. Repeat this process for the remaining 3 digits.
5. When the fourth digit is saved, the system unlocks and “SUCCESS” displays in the gauge. If the passcode entered was not correct, the system remains locked and “BAdCOde” displays in the gauge. Re-enter the correct passcode.

PRE-RIDE INSPECTIONS

To keep your vehicle in safe operating condition, always perform the recommended pre-ride inspections before each use of the vehicle. This is especially important before making a long trip and when removing the vehicle from storage.

WARNING! Failure to perform the recommended pre-ride inspections could result in component failure while riding, which could result in serious injury or death. Always perform the pre-ride inspections before each ride. When inspection reveals the need for adjustment, replacement or repair, perform the service promptly.

You must be familiar with all instruments and controls to perform the pre-ride inspections.

NOTE: During the pre-ride inspections you may use products that are potentially hazardous, such as oil or brake fluid. When using any of these products, always follow the instructions and warnings on the product packaging.

When inspections reveal the need for adjustment, replacement or repair:

- refer to the maintenance section of this manual
- refer to the service manual or
- see your authorized dealer

PRE-RIDE INSPECTIONS

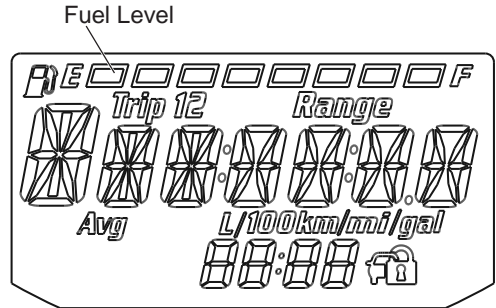
Turn the ignition key to the ON position before performing the electrical pre-ride inspections. Return the ignition key to the OFF position after completing these inspections. If inspection of any electrical item reveals component failure, repair or replace the component before operating the vehicle.

Item	Inspection Procedure	See Page
Electrical		
Front Lights	Turn the ignition key on. Verify that the headlights, auxiliary lights (if equipped) and park lamps illuminate. Switch to high beam. Verify that the high beam indicator comes on and that headlamp brightness increases. Adjust headlight aim as needed.	74
Rear Lights	Verify that the taillights and license plate light illuminate. Apply the brakes and verify that the taillight lamps increase in brightness.	-
Turn Signals	Verify that the left and right turn signals flash at the front and rear of the vehicle, and that the corresponding indicator lamp flashes in the gauge.	-
Emergency Flashers	Press the top of the hazard switch to turn the flashers on. Verify that all four turn signals flash, as well as the lamps in the gauge. Press the bottom of the switch to turn the flashers off. Verify that all signals and indicator lamps stop flashing.	-
Horn	Press the horn button. Verify that the horn sounds loudly.	-
Low Oil Pressure Indicator	Start the engine and verify that the low oil pressure lamp does not illuminate.	-
Steering	Check power steering for smooth operation.	38
General		
Engine Oil Level	Check the oil level.	52
Fuel Level	View the fuel gauge to check the fuel level.	38
Coolant Level	Check the recovery bottle coolant level.	56
Tires	Inspect tire condition, pressure and tread depth.	65
Wheels	Inspect for loose, damaged or missing wheel nuts.	66
Brake Fluid Level	Check the master cylinder brake fluid level.	63
Park Brake	Verify that the vehicle does not roll when the park brake is set.	29
Brake System	Inspect brake system hoses, connections and brake pads. Check brake pedal for excessive travel or a spongy feel.	64
Throttle Pedal	Check throttle pedal travel, ensure smooth operation and full return.	27
Clutch System	Check fluid level and pedal travel.	60-61
Front Suspension	Check for suspension wear or damage.	38
Rear Suspension	Check for suspension wear or damage.	38
Drive Belt	Check for wear or damage.	38,58
Fasteners	Inspect entire vehicle for loose, damaged or missing fasteners.	38
Mirrors	Adjust for proper side and rear view.	-

PRE-RIDE INSPECTIONS

Fuel Level

1. Position the vehicle on a level surface.
2. Turn the ignition switch to the ON position.
3. Observe the fuel level in the fuel gauge. See page 24.
4. Refuel as needed. See page 41 for fuel specifications.



Steering

1. Position the vehicle on a level surface.
2. Turn the steering wheel full left, then full right. The action should be smooth, but not loose.

Front Suspension

Inspect the front suspension for oil leaks or damage. Verify smooth suspension operation.

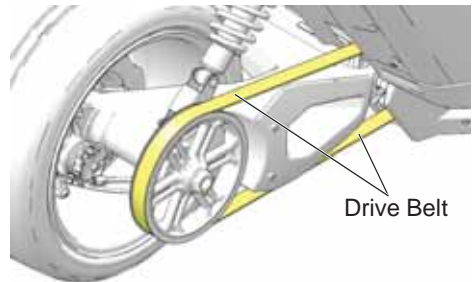
Rear Suspension

1. Check rear shock absorber movement to ensure the correct amount of suspension travel and ground clearance. Refer to the specifications section beginning on page 84.

WARNING! Inadequate ground clearance could result in components contacting the ground, causing loss of control and serious injury or death. Always ensure ground clearance is at specification.

Drive Belt

1. Check the drive belt teeth for stones or other debris.
2. Inspect drive belt condition. If you discover cracks, broken teeth or frayed edges, replace the drive belt before riding. See the *SLINGSHOT Service Manual* or an authorized dealer.



Fasteners

1. Inspect the entire vehicle chassis and engine for loose, damaged or missing fasteners. Tighten loose fasteners to the proper torque.

NOTE: Refer to the specifications section of this manual or the service manual for fastener torque values, or see your dealer.

2. Always replace stripped, damaged or broken fasteners before riding. Use genuine SLINGSHOT fasteners of equal size and strength.

SLINGSHOT Vehicles vs. Other On-Road Vehicles

In the United States, the 3-wheel SLINGSHOT vehicle is an on-road vehicle in the motorcycle class.

The SLINGSHOT vehicle handles differently than 2-wheel motorcycles, other 3-wheel vehicles and 4-wheel vehicles. The following information will help you understand the features and characteristics that make operation and handling of the SLINGSHOT vehicle different from the operation and handling of other on-road vehicles.

How does a SLINGSHOT differ from a 2-wheel motorcycle?

- Low center of gravity
- Steering wheel
- Foot controls (brake, clutch, accelerator)
- Front suspension and steering
- Side-by-side operator and passenger seats
- Seat belts for both riders
- Lighting
- One rear drive wheel and two front wheels

The unique handling characteristics of the SLINGSHOT include:

- More stability in turns
- Vehicle stability at rest
- Flat cornering
- Turns in direction of wheel
- Quick response to steering changes
- Like all on-road vehicles, the SLINGSHOT can hydroplane (lose traction) when encountering a layer of water on the driving surface. Every vehicle has a unique hydroplane speed and response, driven by vehicle weight, tire configuration and tire condition. The SLINGSHOT may hydroplane at lower speeds and react differently to hydroplaning than most motorcycles and cars.

OPERATION

WARNING

NOTICE: Failure to operate the vehicle properly can result in a collision, loss of control, accident or rollover, which may result in serious injury or death. Read and understand all safety warnings outlined in the safety section of this owner's manual. See pages 7-15.

Break-In Period

The break-in period for your vehicle is the first 500 miles (800 km) of operation. During this break-in period, critical engine parts require special wear-in procedures so they seat and mate properly. Read, understand and follow all break-in procedures to ensure the long-term performance and durability of your engine.

Engine and Drivetrain Break-in

NOTICE: Failure to properly follow the engine break-in procedures outlined in this manual can result in serious damage to the engine. Follow all break-in procedures carefully. Avoid full-throttle operation and other conditions that may place an excessive load on the engine during the break-in period.

1. Fill the fuel tank with gasoline. Heed the fuel warnings on page 12.
2. Check the oil level. See page 52. Add the recommended oil as needed to maintain the oil level between the safe and add marks.
3. Vary speed. Do not drive at a constant speed, whether fast or slow. Do not drive at sustained idle.
4. Avoid full-throttle starts and do not drive at full throttle.
5. Do not exceed 70 MPH (113 km/h).
6. Avoid the use of downshifting to brake or slow the vehicle.
7. Avoid making hard stops for the first 200 miles (322 km).
8. Perform regular checks on fluid levels, controls and areas outlined on the daily pre-ride inspection checklist. See page 36.
9. Change both the engine oil and filter at 500 miles (800 km).

Fuel Recommendation

Use only unleaded gasoline with a 91 pump octane minimum and a maximum ethanol content of 10%. **DO NOT USE E-85 GASOLINE OR GASOLINE CONTAINING METHANOL.** Using E85 or gasoline/methanol blends can result in poor starting and driveability, and may damage critical fuel system components.

NOTICE: Use of fuel other than the recommended fuel could result in voiding of your warranty.

Review the fuel warnings. See page 12. Use only the recommended fuel.

1. Insert the fuel nozzle into the fuel tank filler neck. Do not leave the nozzle unattended while fueling.
2. Fill the fuel tank until the pump stops. Do not overfill.

WARNING! Fuel expands in the fuel tank. To prevent leaks, make sure the fuel filler cap is properly seated. Do not overfill.

NOTICE: Fuel can damage painted surfaces and plastic parts. If gasoline spills on the any part of the vehicle, immediately rinse it off with water or wipe it dry with a clean cloth.

Priming the Fuel System

If the vehicle runs out of fuel, prime the fuel system before attempting to restart the engine.

1. Fill the fuel tank.
2. Turn the ignition key to the ON position.
3. Allow the fuel pump to run until it stops (about 5 seconds).
4. Turn the key to the OFF position and wait 10 seconds.
5. Repeat steps 2-4 three more times, then start the engine. See page 42.

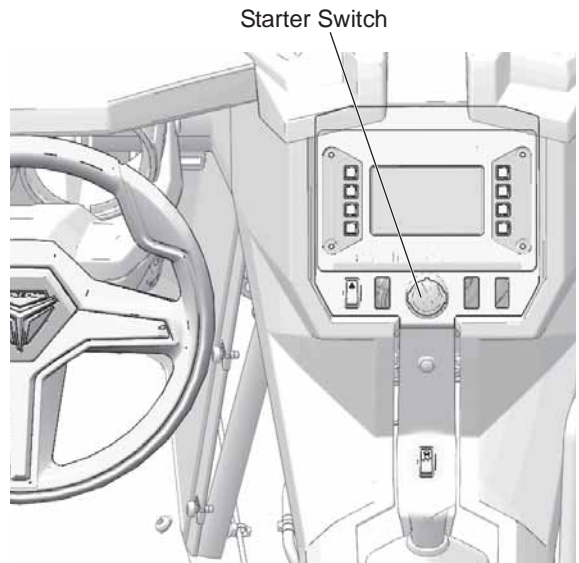
OPERATION

Starting the Engine

The starter interlock system allows the engine to be started only when the clutch is disengaged (clutch pedal fully depressed).

NOTE: If the vehicle runs out of fuel, prime the system before attempting to restart the engine. See page 41.

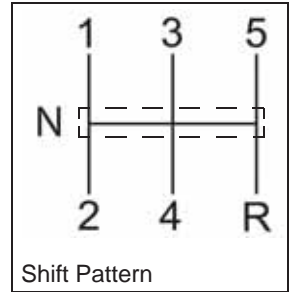
1. If this is your first time operating the SLINGSHOT, read and understand the following sections of this manual before starting the engine:
 - *Safety (pages 7-15)*
 - *Starting the Engine (page 42)*
 - *Shifting Gears (pages 43-44)*
 - *Accelerating (page 44)*
 - *Braking (page 44)*
2. Perform the Pre-Ride Inspections. See page 36.
3. Insert the key into the ignition switch. Turn the key to the ON position. You should hear the fuel pump run momentarily as it pressurizes the fuel system.
4. Release the park brake.
5. Depress the clutch pedal fully to disengage the clutch.
6. Press and release the one-touch starter switch to start the engine.
7. If either the check engine indicator or the low oil pressure indicator illuminates after the engine starts, stop the engine *immediately*. Refer to either the check engine indicator information on page 23 or the low oil pressure indicator information on page 23.
8. With the brake applied, allow the engine to idle. Idle speed will gradually slow to normal as the engine warms to operating temperature.



Shifting Gears

WARNING! Forced shifting (without depressing the clutch pedal) could cause damage to the engine, transmission and drive train. Such damage could cause loss of control, which could result in serious injury or death. Always depress the clutch pedal fully to disengage the clutch before shifting gears.

The SLINGSHOT vehicle is equipped with a 5-speed transmission. Neutral is located between gears. When the shift lever is in neutral, it should move freely from left to right.



1. Start the engine. See page 42.
 2. With the engine at idle speed and the clutch disengaged (pedal depressed), apply the brakes.
 3. Move the shift lever into first gear.
 4. Release the brake pedal.
 5. In one smooth motion, simultaneously release the clutch pedal while slowly depressing the throttle pedal. As the clutch begins to engage, the vehicle will move forward.
 6. To shift to a higher gear, accelerate smoothly to the recommended shift point. See page 44. Perform the following actions quickly and precisely:
 - a) *Simultaneously release the throttle pedal completely while disengaging the clutch (depressing the clutch pedal).*
 - b) *Move the shift lever to the next gear.*
 - c) *Simultaneously release the clutch pedal while depressing the throttle pedal.*
- NOTE:** Within the recommended speed ranges (page 44), you can downshift to slow the vehicle or to increase power. You may want to downshift when climbing a hill or passing. Downshifting also helps to decrease speed when combined with releasing the throttle pedal.
4. To shift to a lower gear (downshift), reduce speed to the recommended shift point. See page 44. Perform the following actions quickly and precisely:
 - a) *Simultaneously release the throttle pedal completely while disengaging the clutch (depressing the clutch pedal).*
 - b) *Move the shift lever to the next lower gear.*
 - c) *Simultaneously release the clutch pedal while depressing the throttle pedal.*

WARNING! Downshifting improperly could cause transmission damage, loss of traction and loss of control, which could result in serious injury or death.

- Reduce speed before downshifting. Always downshift within the recommended shift points.
- Use extreme caution when downshifting on wet, slippery or other low traction surfaces. Release the clutch pedal very gradually in these conditions.
- Avoid downshifting in a curve. Downshift before entering the curve. Avoid coasting (clutch disengaged) through curves and corners.

OPERATION

Shifting Gears

Recommended Shift Points

Upshifting (Accelerating)		Downshifting (Decelerating)	
Gear Change	Recommended Speed	Gear Change	Recommended Speed
1 to 2	15 MPH (24 km/h)	5 to 4	40 MPH (64 km/h)
2 to 3	25 MPH (40 km/h)	4 to 3	35 MPH (56 km/h)
3 to 4	40 MPH (64 km/h)	3 to 2	20 MPH (32 km/h)
4 to 5	45 MPH (72 km/h)	De-clutch	15 MPH (24 km/h)

Accelerating

Accelerate by depressing the throttle pedal. For even acceleration, depress the throttle pedal smoothly. When you reach the recommended speed for upshifting, shift up one gear.

WARNING! Accelerating abruptly could cause loss of control on low traction surfaces. Loss of control could result in serious injury or death. Always accelerate gradually, especially on wet, slippery or other low traction surfaces.

Braking

Always allow a sufficient stopping distance so that brakes can be applied gradually. Practice braking in a safe area to become familiar with the feel of the SLINGSHOT brakes before driving in traffic.

1. To slow the vehicle, release the throttle pedal and depress the brake pedal evenly and gradually.

NOTE: If the anti-lock brake system activates while braking you may feel pulsing at the brake pedal. Continue applying equal pressure to the brakes to slow or stop the vehicle.

2. As the vehicle slows, disengage the clutch, or downshift each time vehicle speed reaches a downshift point. If braking to a complete stop, disengage the clutch when the vehicle is nearly stopped.
3. After braking to a complete stop, shift to neutral and release the clutch pedal to reduce clutch bearing wear. If stopping in traffic, keep your foot on the brake pedal so other drivers can see your vehicle's brake lights.

WARNING! Braking improperly could result in loss of control, which could result in serious injury or death. Always apply the brakes gradually, especially on wet, slippery or other low traction surfaces. Avoid braking in a curve or turn.

Stopping the Engine

Bring the vehicle to a complete stop before stopping the engine.

WARNING! Stopping the engine with the transmission in gear while the vehicle is moving could cause loss of rear wheel traction or engine and transmission damage, which could cause loss of control and serious injury or death. Always stop the engine after the vehicle is fully stopped and the transmission is in neutral (or clutch is disengaged). If the engine stops unexpectedly while the vehicle is moving, guide the vehicle to a safe location off the road and away from traffic.

1. Brake to a complete stop. When nearly stopped, disengage the clutch.

NOTE: As the vehicle slows, disengage the clutch, or downshift each time vehicle speed reaches a downshift point.

2. When fully stopped, move the ignition switch to the OFF position.
3. Remove the ignition key.
4. Engage the park brake.

Reverse Operation

NOTICE: Do not attempt to shift into reverse gear when the vehicle is moving.

Follow these precautions when operating in reverse:

1. Brake to a complete stop. When nearly stopped, disengage the clutch.
2. When fully stopped, shift to neutral.
3. Always check for obstacles or people behind the vehicle, and always inspect left and right fields of vision before operating in reverse. If your vehicle is equipped with a back-up camera, view the display screen for additional assistance as needed while operating in reverse. See page 33.
4. When it's safe to proceed, shift into reverse gear.
5. Release the brake pedal.
6. In one smooth motion, simultaneously release the clutch pedal while slowly depressing the throttle pedal. As the clutch begins to engage, the vehicle will move rearward.

CAUTION! The reverse speed limit feature limits reverse operation to 10 MPH (16 km/h). Do not attempt to exceed this speed. If the engine seems to "cut out", vehicle speed is exceeding the limit. Reduce throttle and slow down. Exceeding the limit could result in vehicle instability.

7. Never apply hard throttle while operating in reverse.
8. Always observe your path of travel and be alert to traffic, pedestrians and obstacles at all sides of the vehicle while operating in reverse.

OPERATION

Using Cruise Control

The cruise control switches are located on the turn signal lever. Make sure you read this section and understand how to safely operate this feature before using the cruise control.

WARNING! Improper operation of cruise control could cause loss of control and result in serious injury or death. Follow all cruise operation procedures carefully. Never use cruise control when roads are wet or slippery. Do not use cruise control when driving in heavy or congested traffic.

Cruise Control Tips

- Cruise control can be set in any gear.
- Vehicle speed must be above 25 MPH (40 km/h).
- Set speed will vary slightly in hilly terrain.
- The cruise control will not resume a pre-set speed if the resulting acceleration or deceleration rate is too high or too low. For example, resuming a set speed from 30 MPH (48 km/h) while in 5th gear may cause cruise to disengage.
- Cruise control will not engage if brake lights are not operating properly.
- Cruise control will be disabled if there is an active stability or traction control event.
- Cruise control will be disabled if there are multiple wheel speed sensor faults or a communication error with the electronic stability module.

Set Speed

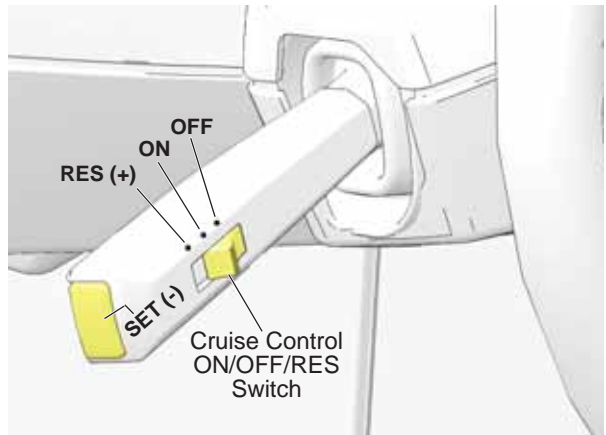
1. Move the cruise control ON/OFF/RES switch to ON to activate the cruise control.
2. Accelerate to the desired speed. Press and release the SET switch at the tip of the lever.

Cancel Cruise Control

To temporarily cancel the cruise control and allow use of the resume feature, perform one of the following:

- depress the brake pedal or
- depress the clutch pedal

To cancel the cruise control and erase the set speed from memory, move the ON/OFF/RES switch to OFF.



Using Cruise Control

Resume Speed

1. Disengage the cruise control by depressing the brake pedal or clutch pedal.

NOTE: If you depress the throttle pedal to accelerate, the cruise control will resume the previously set speed when the pedal is released.

2. Move the ON/OFF/RES switch to RES to resume operation at the previously set speed.

NOTE: Moving the ON/OFF/RES switch to OFF will erase the set speed from memory and disengage the cruise control.

Increase Speed Setting

Move and release the ON/OFF/RES switch to RES to increase the set speed in approximately one MPH (1-2 km/h) increments. Move and hold the ON/OFF/RES switch in the RES position to accelerate to a new SET speed. The speed will reset when the switch is released or after a maximum acceleration of approximately 10 MPH (16 km/h), whichever comes first.

Reduce Speed Setting

Press and release the SET switch to decrease speed in approximately one MPH (1-2 km/h) increments. Press and hold the SET switch to decelerate to a new SET speed (resets when switch is released), or to the minimum cruise speed of 25 MPH (40 km/h).

MAINTENANCE

Proper maintenance assures the highest level of safety, durability and dependability for your SLINGSHOT vehicle.

- Have your authorized SLINGSHOT dealer perform the break-in maintenance procedures when the vehicle's odometer registers 500 miles (800 km).
- See your dealer or perform the recommended periodic maintenance at the intervals specified in the Periodic Maintenance Chart beginning on page 51.

Break-In Maintenance

Have your dealer perform the break-in maintenance procedures when the vehicle's odometer registers 500 miles (800 km). Performing the break-in maintenance will help ensure optimum engine performance for the entire service life of the engine. Your dealer will change engine oil, inspect all fluids and serviceable components, ensure that all fasteners are tightened and make other adjustments as needed.

Major Maintenance

For major repair information, refer to the *SLINGSHOT Service Manual*. Major repairs typically require technical skills and specially designed tools. Emission system service requires special tools and training and should be performed by your dealer.

Safety During Service Procedures

⚠ WARNING

Failure to follow recommended precautions and procedures could result in severe injury or death. Always heed all safety precautions and follow all operation, inspection and maintenance procedures outlined in this manual.

- Improperly installed or adjusted components can result in a system failure. If you do not have the time, tools and expertise necessary to complete a procedure properly, please see your dealer for service.
- Review the safety-related maintenance information on page 13.
- Before beginning any maintenance procedure, read the instructions for the entire procedure.
- Always position the vehicle on a firm level surface before performing service.
- Wear eye and face protection when using pressurized air.
- Never start the engine or let it run in an enclosed area. Engine exhaust fumes are poisonous and can cause loss of consciousness or death in a short time.
- During some procedures you may use potentially hazardous products such as oil or brake fluid. Always follow the instructions and warnings on the product packaging.

Elevating the Vehicle for Service

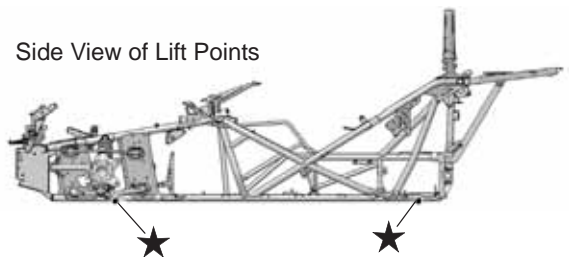
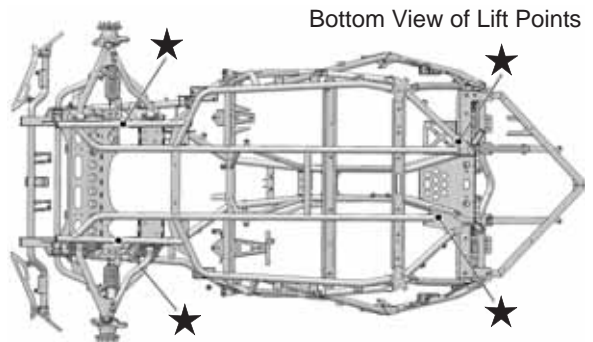
WARNING! Serious injury or death can occur if the vehicle moves or falls while elevated. When elevating is necessary, make sure the vehicle is properly elevated and stable before performing service.

Some procedures require elevating the vehicle. **DO NOT** attempt to elevate your vehicle without proper equipment. If you're not familiar with using floor jacks or lift mechanisms, see your dealer for service.

To elevate the SLINGSHOT vehicle, use automotive-quality floor jacks. Use the floor jacks on a firm, flat surface.

Make sure the floor jacks are positioned under the frame rails in the front where the lower control arm mounts to the frame, or in the rear where the frame rails meet.

For fluid changes, always make sure the elevated vehicle is level.



MAINTENANCE

Periodic Maintenance

Inspect, clean, lubricate, adjust and replace parts as necessary. When inspection reveals the need for replacement parts, use genuine SLINGSHOT parts available from your dealer.

Record service and maintenance information in the Maintenance Log beginning on page 97.

Perform maintenance at the intervals specified in the Periodic Maintenance Chart beginning on page 51. Perform the procedures more frequently if the vehicle is subjected to severe use.

Severe Use Definition

- Idling for extended periods
- High speed operation for extended periods
- Low speed operation for extended periods
- Frequent operation in dusty or otherwise adverse conditions
- Frequent operation in extremely hot or cold climates
- Frequent short trip cold weather operation

Maintenance Chart Key

WARNING! Improperly performing the procedures marked with a “D” could result in component failure and lead to serious injury or death. Have an authorized SLINGSHOT dealer perform these services.

Symbol	Description
▶	Perform these operations more often for vehicles subjected to severe use.
E	Emission-related service (failure to conduct this maintenance will not void the emissions warranty but may affect emissions)
D	Have an authorized SLINGSHOT dealer perform these services.
Symbol	Procedure Description
I	Inspect, tighten, clean, adjust, repair and/or replace as needed.
R	Replace
L	Lubricate as directed
P	Perform the service as directed

Periodic Maintenance Chart

See Maintenance Chart Key on preceding page		Odometer Reading in Miles (Kilometers)													
		500 (800)	5000 (8000)	10000 (16000)	15000 (24000)	20000 (32000)	25000 (40000)	30000 (48000)	35000 (56000)	40000 (64000)	45000 (72000)	50000 (80000)	100000 (160000)	150000 (240000)	
Component	Page														
▶E Air Filter	57				R			R			R				
Battery	69														
▶E Belt, Accessory	-	-	-	-	-	-	-	-	-	-	-	-	-		
▶ Brake Fluid	63			R		R		R		R		R	R	R	
▶ Brake Pads	64														
Brake Pedal	64														
Clutch Fluid	60							R							
Clutch Pedal	-														
Control Cables	-			L		L		L		L		L			
▶D Coolant	-	-	-	-	-	-	-	-	-	-	-	-	R	-	
▶E Coolant Hoses	57														
Crankcase Vent	59														
Drive Belt	58														
Driveshaft Yoke	-	L	L	L	L	L	L	L	L	L	L	L	L	L	
▶E Engine Oil & Filter	53	R	R	R	R	R	R	R	R	R	R	R	R	R	
Engine Compression	-	-		-	-	-		-	-	-	-				
D E Evaporative Emission Control System (if equipped)	-														
Exhaust System	68														
Fasteners	38														
Fuel System	59														
Headlamps	74														
▶ Radiator	57	-	-	-	-	-	-	-	-	-	-	-	-		
Radio/Radio Software	98	Update annually. Please see your dealer.													
ABS Components	28														
Rear Shock	38												R	-	
▶ Angle Drive Fluid	55	-	-	-	-	-	-	-	-	-	-	R	R	R	
D E Spark Plugs	-	-	-	-	-	-		-	-	-	-		R	-	
Steering	-														
Swingarm	-														
Tires (Condition)	65														
▶ Transmission Fluid	54	-	-	-	-	-	-	-	-	-	-	R	R	R	

MAINTENANCE

Engine Oil

Always check and change the engine oil at the intervals outlined in the Periodic Maintenance Chart beginning on page 51. Always use POLARIS SLINGSHOT Premium 5W-30 engine oil or another 5W-30 dexos1®-approved engine oil for the SLINGSHOT vehicle. See page 86 for the part numbers of recommended service products.

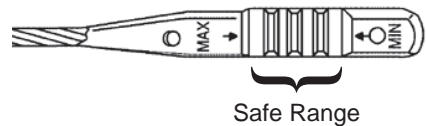
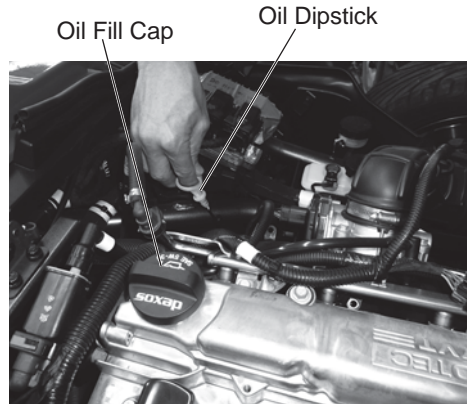
Engine Oil Level

The oil fill cap and dipstick are located under the hood, on the engine. Always use the recommended oil.

NOTE: The engine must be at normal operating temperature when checking or changing the oil. Do not check or change the oil when the engine is cold.

1. Position the vehicle on a level surface. Place the transmission in neutral. Engage the park brake.
2. Start the engine and allow it to idle for 2-3 minutes. Stop the engine.
3. Wait three (3) minutes before checking the oil level. This allows the oil to settle to the bottom of the crankcase. *Do not check the oil level immediately after stopping the engine.*
4. Open the hood. See page 31.
5. Remove the dipstick. Wipe it dry with a clean cloth.
6. Reinstall the dipstick. Make sure it's fully seated.
7. Remove the dipstick and view the oil level. Maintain the oil level between the MIN and MAX marks on the dipstick. Add oil if necessary. Do not overfill.

NOTICE: A rising oil level between checks in cool weather driving can indicate contaminants such as fuel or moisture collecting in the crankcase. If the oil level is over the full mark, change the oil immediately.



Engine Oil

Engine Oil / Filter Change

Always check and change the engine oil at the intervals outlined in the Periodic Maintenance Chart beginning on page 51. Always change the oil filter whenever changing oil.

1. Position the vehicle on a level surface. Place the transmission in neutral. Engage the park brake.

NOTE: The engine must be at normal operating temperature when checking or changing the oil. Do not check or change the oil when the engine is cold.

2. Start the engine and allow it to idle for 2-3 minutes. Stop the engine.

CAUTION! Hot oil can cause burns to skin. Do not allow hot oil to contact skin.

3. Clean the area around the drain plug at the bottom of the crankcase.
4. Place a drain pan under the drain plug. Remove the drain plug. Allow the oil to drain completely.
5. Clean the sealing surfaces of the drain plug and oil pan. The sealing surfaces should be clean and free of burrs, nicks or scratches.
6. Reinstall the drain plug. **DO NOT** overtighten.

Torque: 18 ft-lbs (25 Nm)

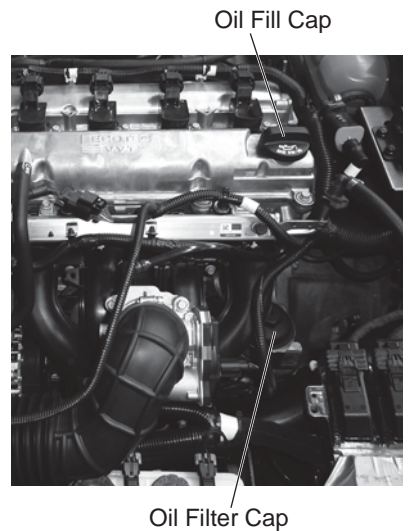
7. Using an appropriate oil filter wrench, rotate the oil filter cap counter-clockwise to remove the cap and filter unit.
8. Remove the filter from the cap.
9. Using a clean, dry cloth, clean the filter sealing surface on the crankcase.
10. Lubricate the gasket area on the new oil filter with a thin film of clean engine oil.
11. Install the new filter onto the oil filter cap.
12. Lubricate the o-ring on the oil filter cap with a thin film of clean engine oil.
13. Use the oil filter wrench to reinstall the cap/filter unit. Tighten to specification.

Torque: 16 ft-lbs (22 Nm)

14. Remove the oil fill cap. Add the recommended oil. Do not overfill.

Capacity: 5 qts (4.7 liters)

15. Reinstall the oil fill cap.
16. Shift to neutral.
17. Start the engine and allow it to idle for 1-2 minutes. Stop the engine.
18. Check for leaks around the drain plug and oil filter.
19. Remove the dipstick and view the oil level. Maintain the oil level between the MIN and MAX marks on the dipstick. Add oil if necessary. Do not overfill.
20. Recycle the used oil and filter properly.



MAINTENANCE

Transmission Fluid

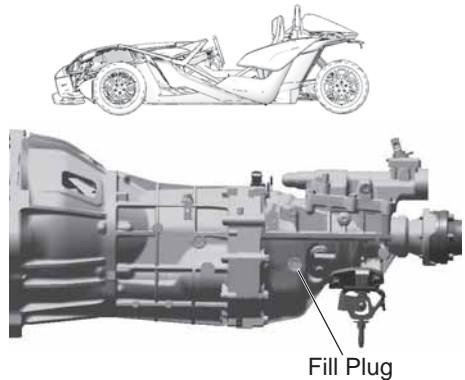
This fluid level does not require routine inspection. If gear shifting seems irregular or if you suspect a fluid leak, inspect the fluid level.

Always change the transmission fluid at the intervals outlined in the Periodic Maintenance Chart beginning on page 51. Always use SLINGSHOT Transmission Fluid or another GL-3 rated transmission fluid. See page 86 for the part numbers of recommended service products.

The fill plug is located on the left side of the gearcase. The drain plug is located on the right side of the gearcase.

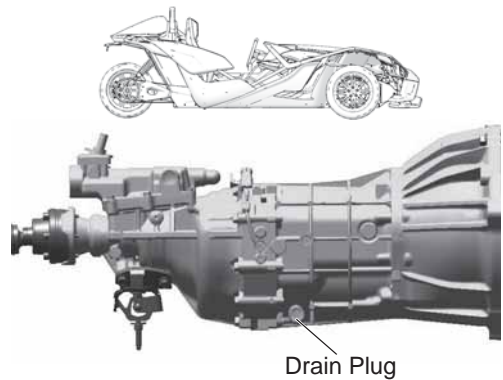
Fluid Level Check

1. Elevate the vehicle using appropriate jack stands. Make sure the elevated vehicle is level.
2. Remove the fill plug. If the fluid level is not within 5 mm of the bottom edge of the fill hole, add the recommended fluid to bring the level to the bottom edge of the fill hole.
3. Reinstall the fill plug.
Torque: 19-35 ft-lbs (26-48 Nm)
4. See your dealer for service. A low fluid level indicates a fluid leak.



Fluid Change

1. Elevate the vehicle using appropriate jack stands. Make sure the elevated vehicle is level.
2. Remove the fill plug.
3. Place a drain pan under the drain plug.
4. Remove the drain plug. Allow the fluid to drain completely.
5. Clean and reinstall the drain plug with a new o-ring. Torque to specification.
Torque: 19-35 ft-lbs (26-48 Nm)
6. Add the recommended fluid. Do not overfill. Maintain the fluid level at the bottom edge of the fill hole.
Capacity: 2.75 qts (2.6 liters)
7. Reinstall the fill plug with a new o-ring. Torque to specification.
Torque: 19-35 ft-lbs (26-48 Nm)
8. Check for leaks. Dispose of used fluid properly.



Angle Drive Fluid

This fluid level does not require routine inspection. If you suspect a fluid leak, inspect the fluid level.

Always change the angle drive fluid at the intervals outlined in the Periodic Maintenance Chart beginning on page 51. Always use SLINGSHOT Angle Drive Fluid or another SAE 80W-90 fluid for the angle drive. See page 86 for the part numbers of recommended service products.

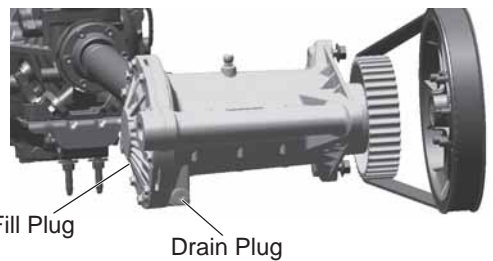
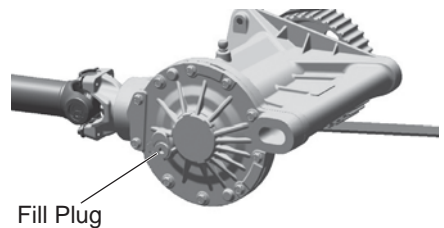
The fill plug is located on the left side of the angle drive housing. The drain plug is located on the right side of the housing.

Fluid Level Check

1. Elevate the vehicle using appropriate jack stands. Make sure the elevated vehicle is level.
2. Remove the fill plug. If the fluid level is not at the bottom edge of the fill hole, add the recommended fluid to bring the level to the bottom edge of the fill hole.

NOTE: Use a syringe to add the fluid. If a syringe is not available, remove the battery and use a funnel and tube to add the fluid.

3. Reinstall the fill plug.
Torque: 10-14 ft-lbs (14-19 Nm)
4. See your dealer for service. A low fluid level indicates a fluid leak.



Fluid Change

1. Elevate the vehicle using appropriate jack stands. Make sure the elevated vehicle is level.
2. Remove the fill plug.
3. Place a drain pan under the drain plug.
4. Remove the drain plug. Allow the fluid to drain completely.
5. Clean and reinstall the drain plug. Torque to specification.

Torque: 10-14 ft-lbs (14-19 Nm)

NOTE: Use a syringe to add the fluid. If a syringe is not available, remove the battery and use a funnel and tube to add the fluid.

6. Add the recommended fluid. Do not overfill. Maintain the fluid level at the bottom edge of the fill hole.

Capacity: 23.7 oz (700 ml)

7. Reinstall the fill plug. Torque to specification.
Torque: 10-14 ft-lbs (14-19 Nm)
8. Check for leaks. Dispose of used fluid properly.

MAINTENANCE

Cooling System

The engine coolant level is maintained by the recovery system. The recovery system components are the recovery bottle, recovery bottle pressure cap and connecting hose.

As coolant operating temperature increases, the expanding (heated) excess coolant is forced out of the radiator and into the recovery bottle. As engine coolant temperature decreases, the contracting (cooled) coolant is drawn back from the tank and into the radiator.

NOTE: Some coolant level drop on new vehicles is normal as the system is purging itself of trapped air. Observe coolant levels and maintain as recommended by adding coolant to the recovery bottle.

Coolant

Always use POLARIS SLINGSHOT 50/50 Antifreeze or another DEX-COOL®-approved 50/50 premixed antifreeze for your vehicle. DO NOT use POLARIS Antifreeze 50/50 Premix.

To ensure that the coolant maintains its ability to protect the engine, we recommend that the system be completely drained every five (5) years and fresh antifreeze added. See your authorized dealer for this service.

Always check and change the coolant at the intervals outlined in the Periodic Maintenance Chart beginning on page 51.

Coolant Level

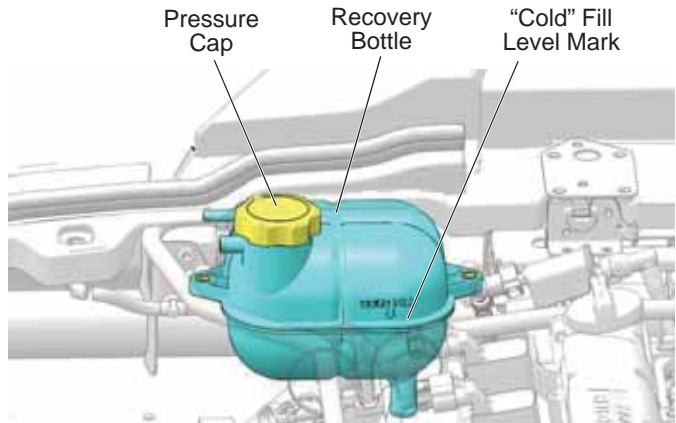
Always check the coolant level when the engine is cold. Maintain the coolant level at the “cold” fill level mark on the recovery bottle (when the fluid is cool).

1. Position the vehicle on a level surface.
2. Open the hood.
3. View the coolant level in the recovery bottle.

CAUTION! Escaping steam can cause burns. Never remove the pressure cap while the engine is warm or hot. Always allow the engine to cool before removing the pressure cap.

4. If the level is low, slowly remove the pressure cap. Use a funnel to add coolant to the fill level mark.
5. Reinstall the pressure cap.

NOTE: If coolant must be added often, or if the recovery bottle runs completely dry, there may be a leak in the system. Have the cooling system inspected by your dealer.



Cooling System

Radiator and Cooling Fan

Always check and clean the radiator and fan at the intervals outlined in the Periodic Maintenance Chart beginning on page 51.

NOTICE: Washing the vehicle with a high-pressure hose could damage the radiator fins and impair the radiator's effectiveness. Using a high-pressure system is not recommended.

1. Check radiator air passages for restrictions or damage.
2. Carefully straighten any bent radiator fins.
3. Inspect the cooling fan for smooth rotation.
4. Remove any obstructions with low pressure compressed air or low pressure water.

Coolant Hoses Inspection

Periodically inspect coolant hoses for leaks, wear or damage. Replace worn or damaged hoses.

Air Filter

Always inspect the air filter at the intervals outlined in the Periodic Maintenance Chart beginning on page 51. Replace the air filter every 15,000 miles (2400 km).

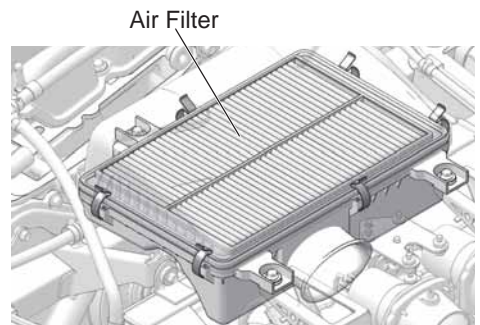
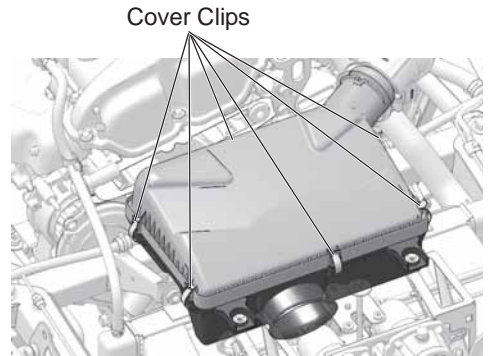
1. Open the hood.
2. Clean all dirt and debris from the air box area.
3. Unlatch the air box cover clips and carefully remove the air box cover.
4. Remove the air filter from the air box.
5. Inspect the air filter. Shake the filter to remove excess dirt. If the filter remains caked with dirt, replace the filter with a new filter.
6. Clean the inside of the air box using a vacuum.

NOTICE: Avoid using compressed air for cleaning as dirt could enter the engine.

7. Reinstall the air filter or install a new air filter.

CAUTION! Operating the vehicle without the air filter installed can result in serious engine damage, which could result in an accident and injury to the operator and others. Always make sure the air filter is installed.

8. Reinstall the air box cover and secure the clips.
9. Close the hood.



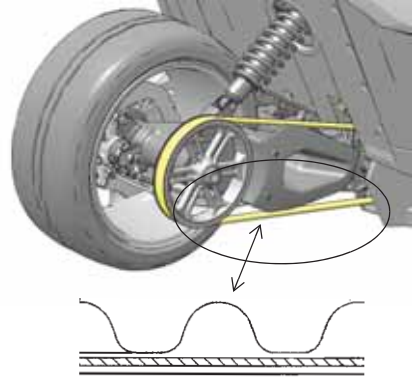
MAINTENANCE

Drive Belt Condition

Adjust drive belt tension after the first 2,500 miles (4,000 km) of operation. Replace the drive belt and both sprockets as a set if the drive belt has over 30,000 miles (48,000 km) of service at the time of damage or failure.

Replace the drive belt if any inspection reveals cracks, broken teeth or frayed edges. See the *SLINGSHOT Service Manual* or an authorized dealer.

DO NOT attempt to check belt tension if the belt has been exposed to rain or washing within a 24 hour period or if the belt is hot from being in use. Allow the belt to cool down to ambient temperature before measuring belt tension.



Drive Belt Wear Analysis

Internal tooth cracks (hairline): OK to run, but monitor condition	External tooth cracks: Replace belt	Missing teeth: Replace belt	Chipping (not serious): OK to run, but monitor condition
Fuzzy edge cord: OK to run, but monitor condition	Hook wear: Replace belt	Stone damage: Replace belt if damage is on edge	Bevel wear (outboard edge only): OK to run, but monitor condition

Drive Belt Cleaning

Cleaning the drive belt will maximize belt and sprocket life and minimize drive line noise. Clean the belt at every tire change. Clean the belt more often if operating in dirty, dusty or high debris environments.

1. Mix a few drops of mild dish soap with a cup of warm water.
2. Use a soft nylon brush to clean the belt and sprocket teeth with the soapy water. Clean well in corner areas where road debris and belt dust can collect.
3. Rinse the belt with clear water, then dry thoroughly.

NOTE: Do not inspect or adjust drive belt tension when the belt is wet. Improper adjustment will result.

Suspension Inspections

Always inspect the suspensions at the intervals outlined in the Periodic Maintenance Chart beginning on page 51. See the *SLINGSHOT Service Manual* or your authorized dealer.

Fuel System Components

1. Inspect fuel lines and connections for wear, deterioration, kinks, damage or leaks. Promptly see your dealer for service if any of these conditions exist.
2. See your dealer for fuel line replacement every two years.

Evaporative Emission Control System (California Models)

The “check engine” indicator illuminates if a purge valve fault is present. See your authorized dealer for service.

Crankcase Breather Hose

Inspect the entire length of the crankcase breather hose for cracks, kinks, wear or other damage. Make sure clamps are in place and secure.



Breather Hose

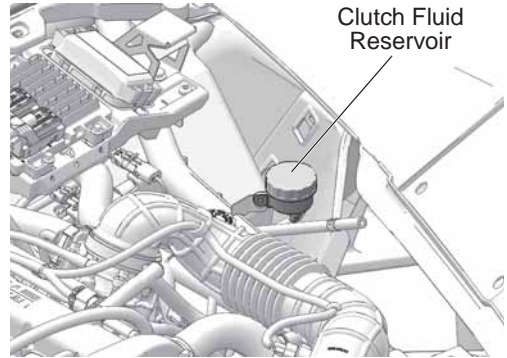
MAINTENANCE

Hydraulic Clutch Fluid

The clutch fluid reservoir is located under the hood on the driver's side of the vehicle. Check the hydraulic clutch fluid level before each use of the vehicle. Maintain the fluid level between the MIN and MAX lines on the reservoir.

Use DOT 4 brake fluid in the hydraulic clutch fluid reservoir. Use fluid only from a sealed, clean container. Review the brake fluid precautions on page 62.

NOTICE: Brake fluid will damage painted surfaces and plastic parts. Always clean spilled brake fluid immediately with water and a mild detergent.



Clutch Fluid Level

1. Position the vehicle on a level surface.
2. Place the transmission in gear.
3. Open the hood.
4. Wipe the fluid container and the area around the reservoir cover with a clean cloth.

WARNING! Using the wrong fluid or allowing air or contaminants into the fluid system can damage the system seals or result in a malfunction that could lead to serious injury or death. Do not operate the clutch while the reservoir cover is removed. Fluid could overflow from the reservoir and cause air to enter the fluid system.

5. View the fluid level in the reservoir. If the fluid level is below the MIN line on the reservoir, remove the cap and add the recommended fluid to the MAX line. Do not overfill.
6. Reinstall the reservoir cap.
7. Depress the clutch pedal forcefully for a few seconds. Check for fluid leakage around the clutch reservoir fittings.

Hydraulic Clutch Fluid Clutch Fluid Change

Always change fluid if the fluid becomes contaminated, if the fluid condition is questionable, or if the type and brand of the fluid in the reservoir are unknown.

1. Position the vehicle on a level surface.
2. Place the transmission in gear.
3. Open the hood.
4. Wipe the fluid container and the area around the reservoir cover with a clean cloth.

WARNING! Using the wrong fluid or allowing air or contaminants into the fluid system can damage the system seals or result in a malfunction that could lead to serious injury or death. Do not operate the clutch while the reservoir cover is removed. Fluid could overflow from the reservoir and cause air to enter the fluid system.

5. Using a syringe or vacuum-type tool, remove the old fluid from the fluid reservoir.
6. Refill the reservoir to the MAX line with the recommended fluid. Do not overfill.
7. Reinstall the reservoir cap.
8. Depress the clutch pedal forcefully for a few seconds. Check for fluid leakage around the clutch reservoir fittings.

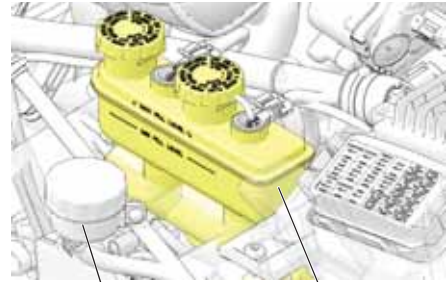
MAINTENANCE

Brake Fluid

The brake fluid master cylinder reservoir is located under the hood on the driver's side of the vehicle. Check the brake fluid level before each use of the vehicle. Maintain the fluid level between the MIN and MAX lines on the reservoir.

If the BRAKE FAILURE indicator illuminates, brake fluid may be low. Check the brake fluid level.

Use DOT 4 brake fluid in the brake fluid reservoir. Use fluid only from a sealed, clean container.



Clutch Fluid Reservoir

Brake Fluid Reservoir

Brake Fluid Precautions

⚠ WARNING

Using the wrong fluid or allowing air or contaminants into the fluid system can damage the system seals or result in a malfunction that could lead to serious injury or death. Use only DOT 4 brake fluid from a sealed container.

Do not operate the front brake with the reservoir cover removed. Fluid could overflow from the reservoir and allow air to enter the system. Air in the brake system could cause the brakes to malfunction.

An over-full reservoir may cause brake drag or brake lock-up, which could result in serious injury or death. Maintain brake fluid at the recommended level. Do not overfill.

After opening a bottle of brake fluid, always discard any unused portion. Never store or use a partial bottle. Brake fluid is hygroscopic, meaning it rapidly absorbs moisture from the air. The moisture causes the boiling temperature of the brake fluid to drop, which can lead to early brake fade and the possibility of accident or severe injury.

NOTICE: Brake fluid will damage painted surfaces and plastic parts. Always clean spilled brake fluid immediately with water and a mild detergent.

Brake Fluid Change

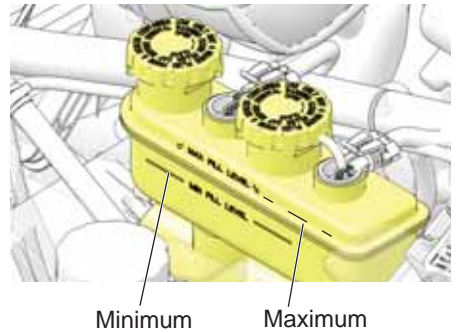
Change the brake fluid every two years. Always change fluid if the fluid becomes contaminated, if the fluid condition is questionable, or if the type and brand of the fluid in the reservoir are unknown. See your authorized dealer for this service.

Brake Fluid

Brake Fluid Level

Check the brake fluid level before each use of the vehicle.

1. Position the vehicle on a level surface.
2. Place the transmission in gear.
3. Open the hood.
4. Wipe the fluid container and the area around the reservoir cover with a clean cloth.
5. View the fluid level in the reservoir. If the fluid level is below the MIN line on the reservoir, remove the cap and add the recommended fluid to the MAX line. Do not overfill.
6. Reinstall the reservoir cap.
7. Depress the brake pedal forcefully for a few seconds. Check for fluid leakage around the master cylinder fittings and the brake caliper fittings.



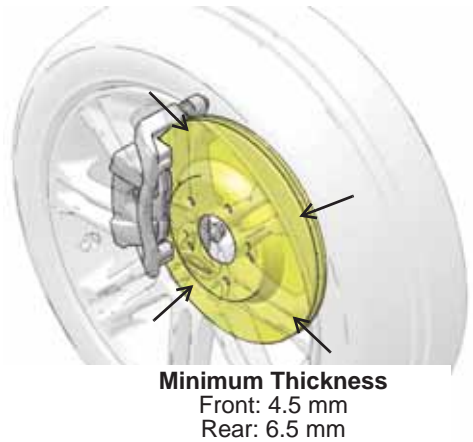
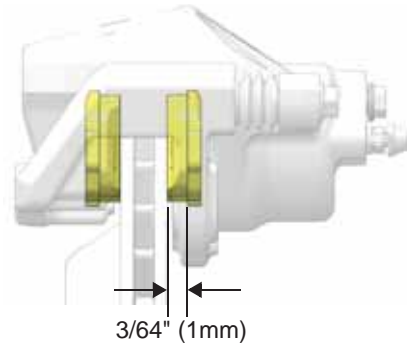
MAINTENANCE

Brake System Inspection

1. Inspect all brake hoses and connections for dampness or stains from leaking or dried fluid. Tighten any leaking connections and replace components as necessary. See the *SLINGSHOT Service Manual* or your authorized dealer.
2. Check the brake pedal for excessive travel or a spongy feel.
3. Check the brake pads for wear, damage and looseness.
4. Inspect brake discs for nicks, scratches, cracks or other damage. Clean any grease using an approved brake cleaner or alcohol.

WARNING! Do not apply WD-40 or any petroleum product to brake discs. These types of products are flammable and may also reduce the friction between the brake pad and caliper.

5. Inspect the brake disc spline and pad wear surface for excessive wear. Change pads when worn to 3/64" (1 mm).
6. Inspect the thickness of each brake disc at four or more locations around the disc. If any disc is worn to the minimum thickness at the thinnest point, or if a disc is damaged, see your dealer for replacement.



Wheels and Tires

⚠ WARNING

Operating the vehicle with worn tires, improper tires or tires with improper or uneven tire pressure could cause loss of control or accident. Always use the correct size and type of tires specified for your vehicle. Always maintain proper tire pressure as recommended in the owner's manual and on safety labels. Always replace tires when tread depth has worn to the minimum requirement.

Tire Condition

Inspect the tire sidewalls, road contact surface and tread base. If inspection reveals cuts, punctures, cracks or other wear or damage, replace the tire before driving the vehicle. See the *SLINGSHOT Service Manual* or an authorized dealer.

Tire Tread Depth

Measure the tread depth near the center of the tread on both tires.

- Replace a front tire when tread depth wears to the minimum of 1.6 mm.
- Replace the rear tire when tread depth wears to the minimum of 4 mm.



Front Tread Minimum: 1.6 mm
Rear Tread Minimum: 4 mm

Tire Pressure

For an accurate reading, check tire pressure when tires are cold. Driving warms the tires and increases tire air pressure.

1. Remove the valve stem cap.
2. Check tire pressure using the tire pressure gauge provided in the tool kit.
3. Adjust tire pressure to the recommended specification. Refer to safety labels on the vehicle or to the specifications section beginning on page 84.



WARNING! Do not exceed the maximum recommended inflation pressure to seat the bead. Tire or rim failure may result.

MAINTENANCE

Wheels and Tires

Wheel Inspection

Inspect all wheels for cracks or other damage. Replace damaged wheels promptly. Do not operate the vehicle if wheels are damaged or cracked.

Wheel Removal

1. Position the vehicle on a firm, level surface.
2. Place the transmission in gear.
3. Engage the park brake.
4. Position an appropriate floor jack under the frame at the side or rear of the vehicle, near the wheel to be removed.
5. If removing the rear wheel, place wheel chocks at the front of both front wheels to prevent rolling.
6. Elevate the vehicle until the wheel is slightly off the ground.
7. Remove the wheel nuts and remove the wheel.

Wheel Installation

1. With the transmission in gear and the park brake set, place the wheel on the wheel hub. Be sure the valve stem is toward the outside and rotation arrows on the tire point toward forward rotation.
2. Install the wheel nuts and finger-tighten them.

NOTE: On vehicles with tapered rear wheel nuts, make sure the tapered end of the nut goes into the taper on the wheel.

3. Tighten all wheel nuts to specification.
Torque: 75 ft-lbs (102 Nm)
4. Lower the vehicle and remove the floor jack.

Spark Plugs

Spark Plug Recommendations

Refer to the specifications section beginning on page 84 for the recommended spark plug type and gap for your vehicle. Torque spark plugs to specification after installing.

NOTICE: Using non-recommended spark plugs can result in serious engine damage. Always use the recommended spark plugs.

Spark Plug Specifications	
Spark Plug Type	AC Delco 41-103 or equivalent
Spark Plug Torque	15 ft-lbs (20 Nm)

Inspect and replace spark plugs at the intervals recommended in the Periodic Maintenance Chart beginning on page 51. Inspect spark plugs when the engine is warm. Always replace spark plugs in sets of four.

Spark Plug Service

1. Open the hood.

CAUTION! A hot exhaust system and engine can cause burns. Allow a hot engine to cool or wear protective gloves when removing a spark plug for inspection.

2. Unplug the spark plug wire connectors from the ignition coils.
3. Remove the ignition coil bolts.
4. Remove the ignition coils.

CAUTION! Wear eye and face protection when using pressurized air.

5. Before removing the spark plugs, use compressed air to remove any loose dirt or debris from the spark plug wells.

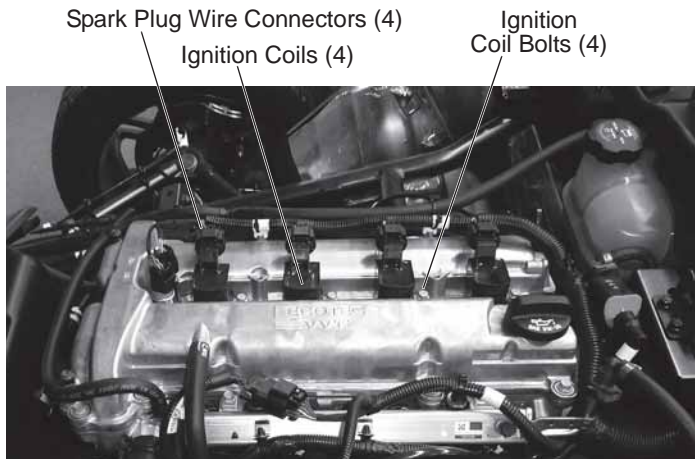
NOTICE: The spark plugs must be installed before using compressed air in this area.

6. Rinse the plug wells with water and dry with compressed air.

NOTE: Spark plug wells have drain holes built into the cylinder head to allow water to drain out.

7. Remove the spark plugs.

Tool: 5/8" spark plug socket with extension



MAINTENANCE

Spark Plugs

Spark Plug Service

8. Inspect electrodes for wear and carbon buildup. A good plug will have a sharp outer edge with no rounding or erosion of the electrodes.
9. Do not attempt to adjust spark plug gap.
10. Reinstall the spark plugs or install new plugs.
11. Tighten spark plugs to specification.
12. Reinstall the ignition coils.
13. Reinstall the ignition coil bolts. Tighten to specification.
Torque: 7.5 ft-lbs (10 Nm)
14. Connect the spark plug wires to the ignition coils.

Engine Compression Test

An engine compression test can be performed to monitor general engine condition. See the *SLINGSHOT Service Manual* or your authorized dealer.

Exhaust System Inspection

Check the exhaust system for stains from leaking exhaust gasses. Replace damaged or leaking exhaust gaskets. Tighten loose clamps and fasteners. See the *SLINGSHOT Service Manual* or your authorized dealer.

Battery

⚠ WARNING

Improperly connecting or disconnecting battery cables can result in an explosion and cause serious injury or death. When removing the battery, always disconnect the negative (black) cable first. When reinstalling the battery, always connect the negative (black) cable last.

⚠ WARNING

Battery electrolyte is poisonous. It contains sulfuric acid. Serious burns can result from contact with skin, eyes or clothing.

Antidote:

External: Flush with water.

Internal: Drink large quantities of water or milk. Follow with milk of magnesia, beaten egg, or vegetable oil. Call physician immediately.

Eyes: Flush with water for 15 minutes and get prompt medical attention.

Batteries produce explosive gases. Keep sparks, flame, cigarettes, etc. away. Ventilate when charging or using in an enclosed space. Always shield eyes when working near batteries. KEEP OUT OF REACH OF CHILDREN.

Battery Maintenance

Always keep battery terminals and connections free of corrosion. If cleaning is necessary, remove corrosion with a stiff wire brush. Wash with a solution of one tablespoon baking soda and one cup water. Rinse well with tap water and dry off with clean shop towels. Coat the terminals with dielectric grease or petroleum jelly. Be careful not to allow cleaning solution or tap water into a conventional battery.

Make sure battery connections are tight. See page 71 for cable torque specifications.

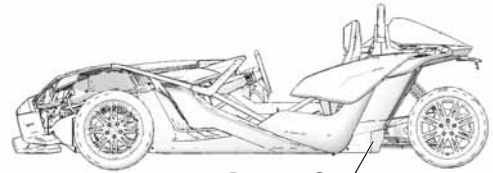
MAINTENANCE

Battery

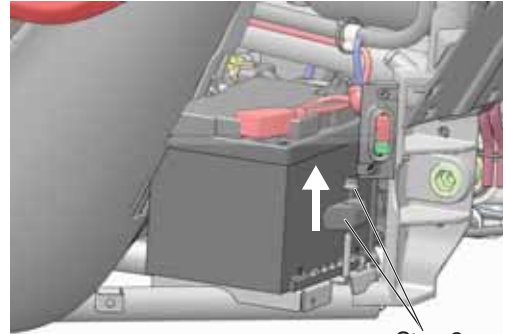
Battery Access and Removal

The battery compartment is located on the lower left side of the vehicle, behind the rider compartment.

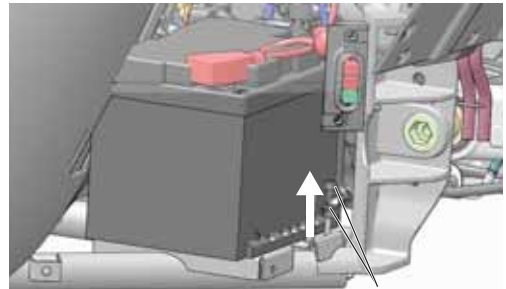
1. Remove the access panel fasteners and remove the access panel.
2. Remove the battery retainer nut. Remove the retainer wedge from the stud.
3. Slide the battery out of the compartment.
4. Remove the nut securing the negative (-) battery cable to the chassis ground. Remove the cable eyelet from the stud. Move the cable to prevent it from contacting any metal components.
5. Loosen the positive (+) battery terminal bolt and disconnect the cable from the terminal. Move the cable to prevent it from contacting any metal components.



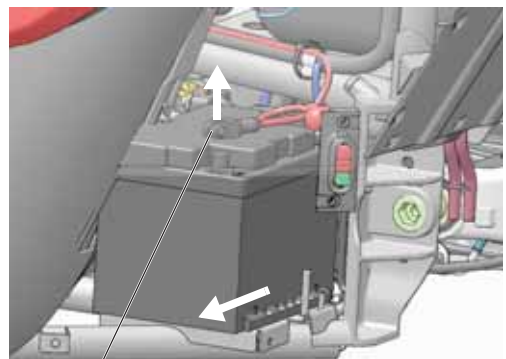
Battery Compartment



Step 2



Step 4



Step 5

Battery

Battery Installation

Using a new battery that has not been fully charged can damage the battery and result in a shorter life. It can also hinder vehicle performance.

1. Make sure the battery is fully charged.
2. Make sure cable ends and battery terminals are clean. Apply a light film of dielectric grease to terminals.
3. Before installing the battery into the battery compartment, make sure the negative (-) battery cable is connected to the negative (-) terminal.

Torque: 60 in-lbs (6.8 Nm)

4. Connect the positive (+) cable to the positive (+) terminal.
Torque: 60 in-lbs (6.8 Nm)
5. Reinstall the negative (-) battery ground cable eyelet to the chassis ground stud. Tighten the nut.
Torque: 60 in-lbs (6.8 Nm)
6. Carefully reinstall the battery with the negative terminal toward the inside of the vehicle.

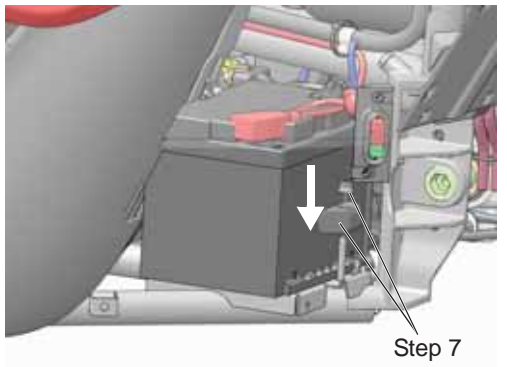
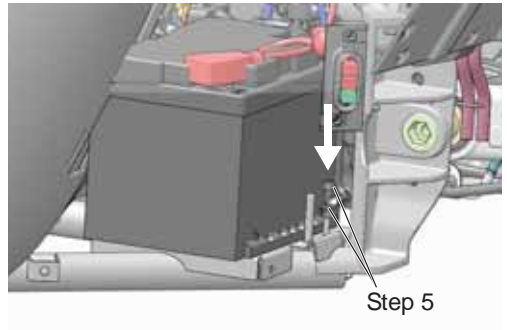
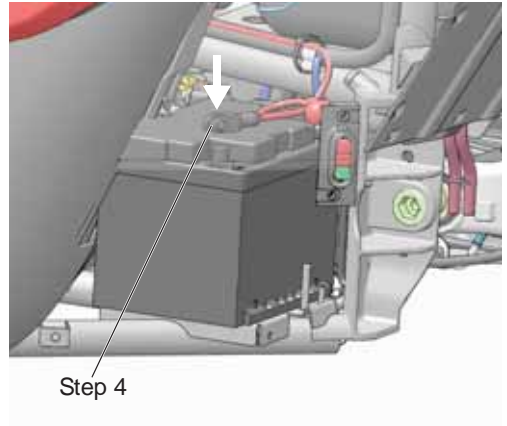
7. Reinstall the battery retainer wedge and nut to the stud.

Torque: 48 in-lbs (5.4 Nm)

8. Apply dielectric grease over the terminal connections.
9. Reinstall the battery access panel

Battery Storage

Whenever the vehicle is not used for a period of one month or more, remove the battery from the vehicle, ensure that it's fully charged, and store it out of the sun in a cool, dry place. Check battery voltage each month during storage and recharge as needed to maintain a full charge.



MAINTENANCE

Battery

Battery Charging

The following battery charging instructions apply only to the installation of a sealed battery. Read all instructions before proceeding with the installation of this battery.

The sealed battery is already filled with electrolyte and has been sealed and *fully charged* at the factory. *Never* pry the sealing strip off or add any other fluid to this battery.

The single most important thing about maintaining a sealed battery is to keep it fully charged. Since the battery is sealed and the sealing strip cannot be removed, you must use a voltmeter or multimeter to measure DC voltage.

WARNING! An overheated battery may explode, causing severe injury or death. Always watch charging times carefully. Stop charging if the battery becomes very warm to the touch. Allow it to cool before resuming charging.

For a refresh charge, follow all instructions carefully.

1. Check the battery voltage with a voltmeter or multimeter. A fully charged battery will register 12.8 V or higher.
2. If the voltage is less than 12.8 volts, recharge the battery at 1.8 amps until battery voltage is 12.8 or greater.
3. When using an automatic charger, refer to the charger manufacturer's instructions for recharging.
4. When using a constant current charger, use the guidelines below. Always verify battery condition before and 1-2 hours after the end of charging.

State of Charge	Voltage (DC)	Action	Charge Time (Using constant current charger @ standard amps specified on top of battery)
100%	12.8-13.0 volts	None, check again in 3 months	None required
75%-100%	12.6-12.8 volts	May need slight charge, if no charge given, check in 3 months	3-6 hours
50%-75%	12.3-12.6 volts	Needs charge	5-11 hours
25%-50%	12.0-12.3 volts	Needs charge	At least 13 hours
0%-25%	12.0 volts or less	Needs charge	At least 20 hours

Headlamp Bulb Replacement

When servicing a halogen lamp (bulb), avoid touching the lamp with bare fingers. Oil from your skin leaves a residue, causing a hot spot that will shorten the life of the lamp. If fingers do touch a lamp, clean it with denatured alcohol.

Outer Headlamps

1. Pull the sealing boot away from the back of the bulbs and housing.
2. Press the looped end of the wire bulb retainer clip and swing the end toward the center of the bulb to release it from the latch tab.
3. With the wire connector attached, pull the bulb out.
4. Disconnect the wire harness. Install the new bulb and secure the retainer.
5. Reinstall the sealing boot. Make sure it seals tightly around the bulb base and lens to prevent condensation.

Center Headlamps (if equipped)

1. Disconnect the headlight wiring harness at the rear of the headlights.
2. From the rear of the headlight, grasp the bulb housing and rotate it counter-clockwise to remove it.
3. Install the new bulb and rotate it clockwise to secure it.
4. Reconnect the wiring harness.

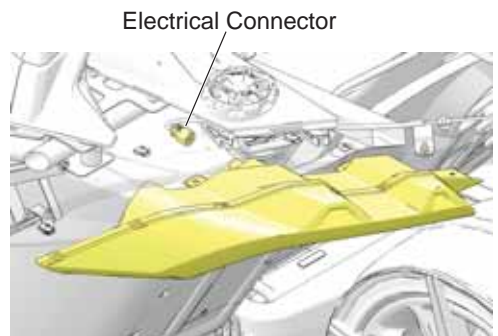
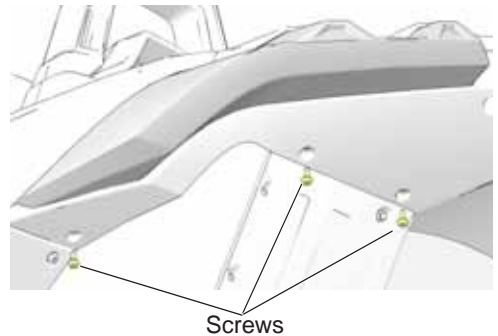
LED Light Assemblies

LED lights are not serviceable. If one of the LED lamps fails to illuminate, the entire light assembly must be replaced.

1. Remove the rear body panel to access the light assembly.
2. Remove the screws securing the light assembly to the vehicle (taillight assembly shown).
3. Unplug the electrical connector from the light assembly.
4. Remove the light assembly.
5. Install the electrical connector to the replacement light assembly.
6. Reinstall the light assembly. Tighten the screws.
7. Reinstall the rear body panel. Tighten the screws.

Torque: 36 in-lbs (4 Nm)

Torque: 65 in-lbs (7 Nm)



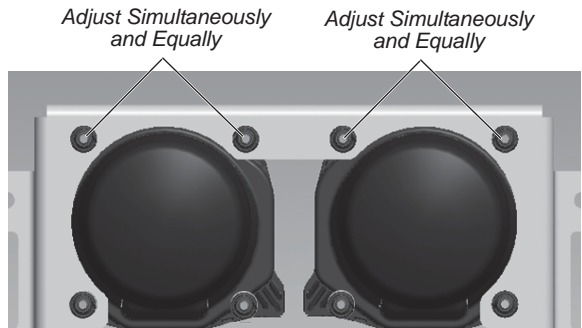
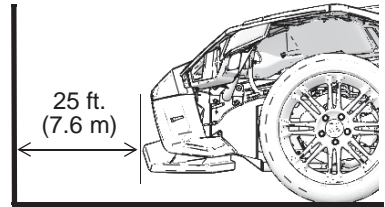
MAINTENANCE


Headlamp Aim Inspection Conditions

The following headlamp aim inspections and adjustments will be accurate only when tire pressures and suspensions are at factory-recommended settings. Refer to safety labels on the vehicle or to the specifications section beginning on page 84. The vehicle must also be unladen (without fuel, rider weight or cargo weight).

Center Headlamp Aim Adjustment (USA)

1. Verify that headlamp aim inspection conditions are met.
2. Position the vehicle on a level surface with the nose approximately 25 ft. (7.6 m) from a wall.
3. Move the ignition switch to the ON position to turn the lights on. Place the headlamps on low beam.
4. Observe the headlight beam display on the wall. The beam displays at two levels, higher at the right side and lower at the left side.
5. Measure from the floor to the lower beam display at the left side as illustrated. When the beam is properly adjusted, this measurement should be in the following range:
 - 19-20.75" (48-53 cm) for base model
 - 20-21.75" (51-55 cm) for SL model
6. To adjust a headlight beam, open the hood and turn the two upper headlamp adjustment screws simultaneously and equally. Adjust both headlights equally.
 - *Clockwise* adjustment *lowers* the beam
 - *Counter-clockwise* adjustment *raises* the beam

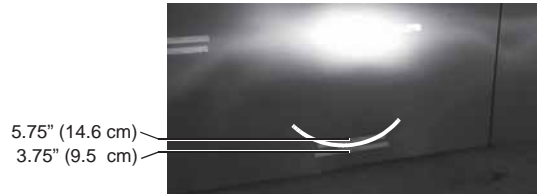
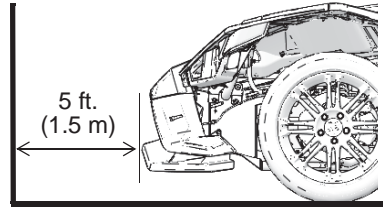


 Clockwise (Lower the Beam)

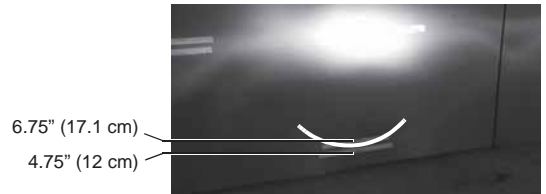
 Counter-Clockwise (Raise the Beam)

Auxiliary Headlamp Aim Adjustment (USA)

1. Verify that headlamp aim inspection conditions are met. See page 74.
2. Position the vehicle on a level surface with the nose 5 ft. (1.5 m) from a wall.
3. Move the ignition switch to the ON position to turn the lights on.
4. Observe the auxiliary headlight beam display on the wall. The lower edge of the beam displays with a multi-colored halo.
5. Measure from the floor to the bottom edge of the halo's green band as illustrated. When the beam is properly adjusted, this measurement should be in the following range:
 - 3.75-5.75" (9.5-14.6 cm) for base model
 - 4.75-6.75" (12-17.1 cm) for SL model
6. To adjust a headlight beam, open the hood and turn the two headlamp adjustment screws simultaneously and equally.
 - *Clockwise* adjustment *raises* the beam
 - *Counter-clockwise* adjustment *lowers* the beam

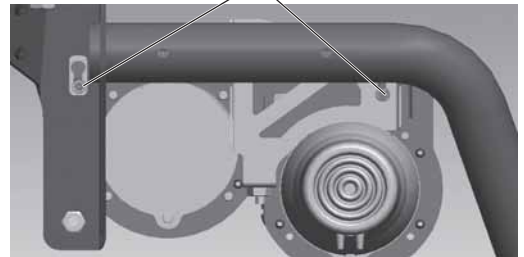



SLINGSHOT
Acceptable Range



SLINGSHOT SL
Acceptable Range

*Adjust Simultaneously
and Equally*



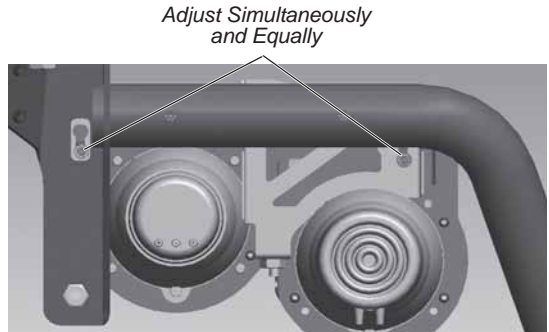
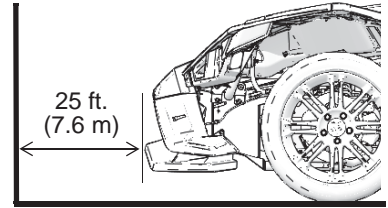
 Clockwise (Raise the Beam)


 Counter-Clockwise (Lower the Beam)

MAINTENANCE

Headlamp Aim Adjustment (Canada)

1. Verify that headlamp aim inspection conditions are met. See page 74.
2. Position the vehicle on a level surface with the nose approximately 25 ft. (7.6 m) from a wall.
3. Move the ignition switch to the ON position to turn the lights on. Place the headlamps on low beam.
4. Observe the headlight beam display on the wall. The beam displays at two levels, higher at the right side and lower at the left side.
5. Measure from the floor to the lower beam display at the left side as illustrated. When the beam is properly adjusted, this measurement should be in the following range:
 - 20-21.75" (51-55 cm) for base model
 - 21-22.75" (53.3-57.8 cm) for SL model
6. To adjust a headlight beam, open the hood and turn the two upper headlamp screws simultaneously and equally.
 - *Clockwise* adjustment *raises* the beam
 - *Counter-clockwise* adjustment *lowers* the beam



 Clockwise (Raise the Beam)

 Counter-Clockwise (Lower the Beam)

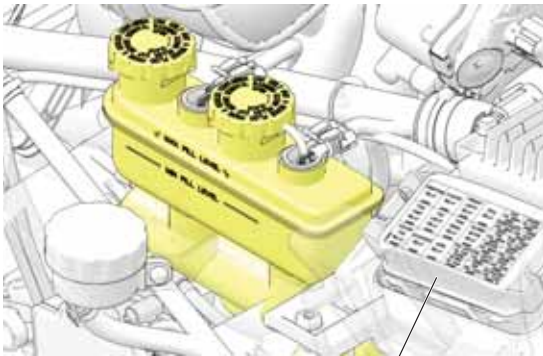
Fuse Replacement

The fuse box is located under the hood near the brake fluid reservoir. The three main system fuses are located in the battery compartment.

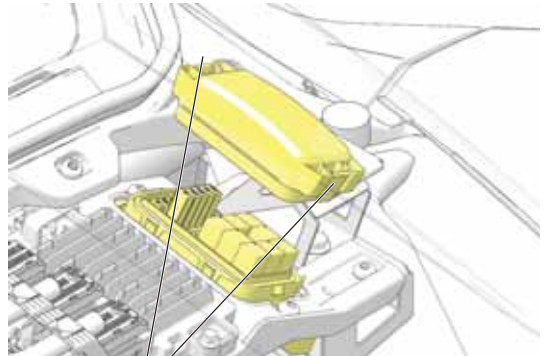
1. Open the hood.
2. Squeeze the fuse box cover tabs inward and remove the cover.
3. Use the fuse puller provided in the tool kit to remove the spent fuse.

NOTICE: Always use the recommended fuse to prevent electrical system damage. Refer to the label on the fuse box cover.

4. Install the new fuse.
5. Reinstall the fuse box cover.



Fuse Box



Tabs

7178668	POWERTRAIN RELAY 4011283	STARTER RELAY 4011283	PRIMARY LIGHTS RELAY 4011283	EPAS RELAY 4011283	ECM 10A BRKR 401371	GAUGES 5A FUSE 401652
	FUEL PUMP RELAY 4011283	FOG LIGHTS RELAY 4011283	TURN SIGNAL RELAY 4011283	BLOWER MOTOR RELAY 4011283	POWERTRAIN 20A BRKR 401372	20A FUSE 2434017
	COOLING FAN RELAY 4011283	ACCESSORY RELAY 4011283	HORN RELAY 4011283	FOG LIGHTS 10A FUSE 2434016	FAN 20A BRKR 401372	FUEL PUMP 10A FUSE 2434016
				BLOWER 15A FUSE 2410280	IGNITION 10A BRKR 401371	EPAS 30A FUSE 2434015
					PRI LIGHTS 30A BRKR 4013894	RADIO 25A FUSE 401653
					ABS 25A FUSE 401653	ACCESSORY 25A FUSE 401653 72

Fuse Box Label

CLEANING AND STORAGE

Cleaning Products

This section provides tips on the very best way to clean, polish and preserve every surface of your beautiful new SLINGSHOT vehicle. We recommend the use of *Polaris Engineered Vehicle Care* cleaning and polishing products to offer the best care for your vehicle. After cleaning the vehicle, inspect for damage to the painted surfaces. Repair chips or scratches promptly by applying touch-up paint to prevent corrosion.

For more information, or for answers to your cleaning and detailing questions, please see your SLINGSHOT dealer.

Washing the Vehicle

NOTICE: Do not use pressurized water to wash the SLINGSHOT vehicle. Water may seep in and deteriorate wheel bearings, brake caliper assemblies, electrical connectors and transmission seals. Do not direct any water stream at air intakes, exhaust outlets, the radiator, the rider compartment or electrical components.

1. Do not use abrasive cleaners.
2. Rinse off as much dirt and debris as possible with water running at low pressure. Use as little water as possible when washing near the air intake or the exhaust pipe openings. Dry these components thoroughly before using the vehicle.
3. Make sure the brakes are functioning properly before riding.

Seasonal Storage

If you will not operate the vehicle for 60 days or longer, such as during the winter, storing it properly will help prevent damage to the fuel system, electrical system, engine, suspensions, tires and body. During extended storage periods, maintain tire pressure and battery voltage at the recommended levels.

1. Choose a dry, well-ventilated storage location away from direct sunlight, preferably a garage or similar structure. The structure should have a firm, flat, clean surface free of oil and gasoline. The structure should have a relatively constant and moderate temperature.
2. Proper storage starts with cleaning, washing and waxing the hood, chassis, upholstery and plastic parts. Be sure that corrosive salt and acids are removed from surfaces before beginning preservation with waxes and rust inhibitors (grease, oil or paint). Clean and touch up with paint any rusted or previously painted surfaces.
3. Apply a light coat of oil or grease to all bushings, spindle shafts and tie rod ends.
4. Change the engine oil. See page 53. Start the engine and allow it to idle just long enough to circulate the new oil throughout the engine.
5. Fog the engine using the recommended aerosol fogging oil available from your dealer. Follow the instructions on the container.
6. Treat the fuel system with a fuel stabilizer. If a fuel stabilizer is not used, the fuel tank, fuel lines and fuel rail should be completely drained of gasoline.
7. Remove the spark plugs. Spray a light amount of engine fogging oil into each cylinder to prevent rust. Reinstall the plugs.
8. Make sure the coolant quality and level in the system is adequate for freeze protection during storage.
9. Apply a metal protectant to shock absorber shafts or any exposed metal to prevent corrosion.
10. Separate electrical connector blocks and clean corrosive build-up from connectors. Lubricate or pack connector blocks with Nyogel grease and reconnect. Replace worn or frayed electrical wire and connectors.
11. Prepare the battery for storage. See page 80.
12. Verify that tire pressure is at specification. See page 65.
13. Cover intake and exhaust openings to prevent small animals from entering.
14. Elevate the vehicle using appropriate jack stands. Remove the wheels to prevent flat spots on the tires.
15. Do not engage the park brake. If engaged, the brake pads may stick to the discs.
16. Cover the vehicle with a fabric cover. Do not use plastic or vinyl covers, which trap moisture and encourage rust and corrosion.

CLEANING AND STORAGE

Battery Storage

1. Remove the battery. See page 70.
2. Clean the battery terminals first with a wire brush to remove any loose deposits.
3. Wash the posts and the ends of the battery cables with a solution of one part baking soda to 16 parts water. Rinse with clean water and wipe dry.
4. Apply a thin film of dielectric grease to the posts and cable connectors.
5. Clean the outside of the battery with a solution of mild detergent and warm water.
6. Store the battery in a dry area with a temperature of 32° to 90° F (0° to 32° C).
7. While in storage, fully charge the battery once a month. See page 72.

Removal From Storage

1. Remove the fabric cover.
2. Remove intake and exhaust opening covers (if covered for storage).
3. Install the tires. Lower the vehicle and remove the jack stands.
4. Verify that tire pressure is at specification. Refer to safety labels on the vehicle or to the specifications section beginning on page 84.
5. Install the battery and perform an electrical inspection.
6. Inspect the spark plugs. Install new spark plugs if necessary.
7. If the vehicle was stored in an area subject to wide swings in temperature and humidity (such as outdoors), change the engine oil before starting the engine.

NOTICE: During storage, temperature and humidity changes can cause condensation to form in the crankcase and mix with engine oil. Running the engine with oil that contains condensation can cause engine damage.

8. Inspect the storage area for signs of fluid leaks. Identify and perform service to any leaking components.
9. Wash and polish the vehicle. Wax, polish or apply protectant to appropriate components.
10. Perform the pre-ride inspections. See page 36.
11. Check any fluid levels not included in the pre-ride inspection.

TRANSPORTING AND TOWING

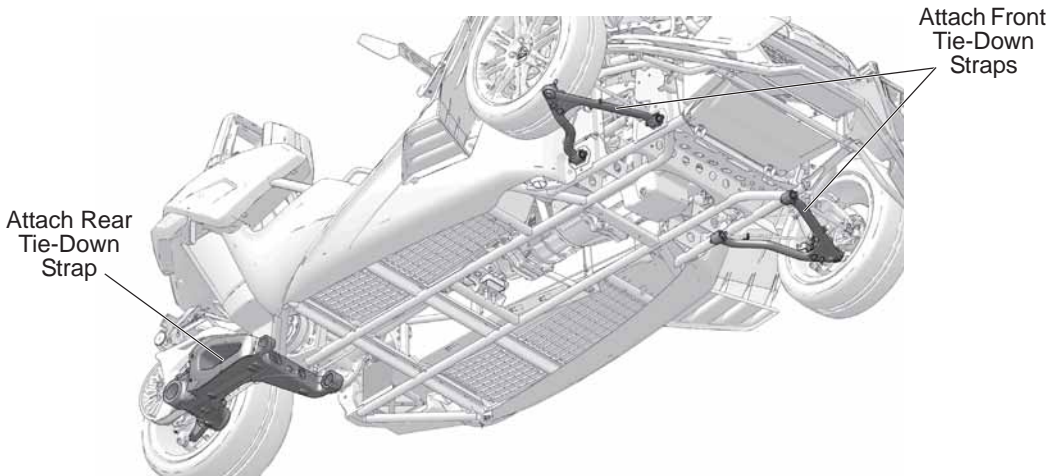
Transporting the SLINGSHOT

Because of the single rear wheel on the SLINGSHOT vehicle, it cannot be towed by a conventional tow truck. Never tow the SLINGSHOT vehicle on its wheels behind another vehicle.

To transport the SLINGSHOT vehicle, always use a trailer or flatbed truck. A trailer must have an approved load rating greater than the actual weight of the SLINGSHOT vehicle, including any installed accessories or cargo.

Follow these guidelines after loading the SLINGSHOT vehicle on a trailer or flatbed truck.

1. Place the transmission in gear.
2. Engage the park brake.
3. Turn the key off. Remove the key to prevent loss.
4. Secure all cargo and other items or remove them from the vehicle.
5. Secure all storage compartment doors.
6. Block all wheels at the front and rear of each tire.
7. Always secure the frame of the SLINGSHOT vehicle to the transporting unit securely with suitable tie-down straps. Do not attach straps to the lower front trim. Secure the tie-down straps to the lower front A-arms and rear swing-arm. See illustration.
8. Never allow passengers on a trailer or in a trailered vehicle.
9. Reduce speed and drive with caution while transporting.



TROUBLESHOOTING

For your personal safety, do not attempt inspection or repairs not fully described in this owner's manual. Contact an authorized dealer for service if you cannot determine the cause of a problem or if the inspection / repair exceeds your mechanical ability or tool resources. Do not perform any inspection or repair with the engine running.

Engine Cranks But Will Not Start

Possible Cause	Possible Remedy/Action
Low Fuel	Verify fuel level
Fuel pump inoperative	Turn the key ON. The fuel pump should run momentarily and then stop. If you do not hear the fuel pump run, check the fuel pump / ignition circuit breaker. See page 77.
Battery Discharged	Fully charge the battery. See page 72.
Spark Plug(s) Fouled	Inspect spark plugs. See page 67.
Spark Plug Wire(s) Disconnected or Loose	Be sure spark plug wires are securely fastened.

Starter Motor Does Not Turn or Turns Slowly

Possible Cause	Possible Remedy/Action
Battery Discharged	Fully charge the battery. See page 72.
Battery Cables Loose or Corroded	Inspect battery cables.
Transmission In Gear	Disengage the clutch. See starting procedures on page 42.

Engine Starts But Misses or Runs Poorly

NOTE: Turn engine OFF before inspecting any of these items.

Possible Cause	Possible Remedy/Action
Battery Discharged	Fully charge the battery. See page 72.
Battery Cables Loose or Corroded	Inspect battery cables and connections.
Spark Plug(s) Fouled	Inspect spark plugs. See page 67.
Spark Plug Wire(s) Loose or Wet	Inspect spark plug wires, ensure dry/secure.
Contaminated Fuel	Inspect fuel for water / contamination. See dealer.
Engine Oil Level Incorrect Or Wrong Type	Inspect level and quality of oil. See page 52.
Loose, Broken, Shorted Ignition Coil Wires	Inspect coil primary wires. See dealer.
Air Intake Restricted	Inspect air filter. See page 57.

TROUBLESHOOTING

Shifting Difficulties

Possible Cause	Possible Remedy/Action
Hydraulic Clutch Fluid Contaminated	Flush hydraulic clutch fluid (see dealer).
Air In Hydraulic Clutch System	Bleed system (see dealer).
Clutch Slave Cylinder Bracket Loose	Inspect / tighten loose parts.
Hydraulic Clutch Fluid Leak	Inspect system for leaks (see dealer).
Clutch Damage	Replace clutch.

Battery Charging Rate Low or Battery Discharges

Possible Cause	Possible Remedy/Action
Loose/Corroded Charging Circuit Connection	Check/clean battery cable connections. Check/clean charging circuit connections. See dealer.
Accessory Load Exceeds Charge Rate	Use ACC position and limit accessory operation when engine is off.
Improperly Wired Accessory (Current Draw)	See dealer to check charging system output and current draw.
Battery discharges when vehicle not in use.	See dealer to check key OFF current draw.

Brake Noise / Poor Brake Performance

NOTE: Contact your dealer if brake performance does not return after these inspections.

Possible Cause	Possible Remedy/Action
Dust / Dirt On Brake Disc(s)	Clean disc.
Worn Pads Or Disc / Brake Disc Damage	Inspect pads.
Brake Fluid Level Low Or Fluid Contaminated	Inspect fluid level / fluid. See page 63.

Anti-Lock Brake Light Remains Illuminated or Illuminates Intermittently

Possible Cause	Possible Remedy/Action
Blown fuse	Check the fuses. See page 77.
Loose or damaged pulse ring	Inspect pulse ring for looseness or chipped teeth.
Debris lodged in components	Inspect wheel speed sensor and pulse ring for debris.
Damage caused by debris	Inspect wheel speed sensor for cracked housing.
Damaged components	See service manual or authorized dealer.

SPECIFICATIONS

	SLINGSHOT	SLINGSHOT SL
Dimensions (Dimensions and specifications may vary with features, options and accessories)		
Overall Length	149.6 in. (3800 mm)	149.6 in. (3800 mm)
Overall Width	77.6 in. (1960 mm)	77.6 in. (1960 mm)
Overall Height	51.9 in. (1318 mm)	51.9 in. (1318 mm)
Track Width	69.1 in. (1755 mm)	69.1 in. (1755 mm)
Wheel Base	105 in. (2667 mm)	105 in. (2667 mm)
Ground Clearance	5 in. (127 mm)	5 in. (127 mm)
Weight		
Wet Weight	1749 lbs. (793 kg)	
Maximum Load Capacity (riders, cargo, accessories, options)	457 lbs. (207 kg)	
Gross Vehicle Weight Rating-GVWR (see page 14)	2199 lbs. (997 kg)	2199 lbs. (997 kg)
Gross Axle Weight Rating (GAWR)	Front Axle: 1321 lbs. (599 kg)	Front Axle: 1321 lbs. (599 kg)
	Rear Axle: 878 lbs. (398 kg)	Rear Axle: 878 lbs. (398 kg)
Capacities		
Seating	Two (2) Occupants	
Engine Oil	5 qts. (4.75 l) with approximately 4.5 qts. (4.25 l) at oil change	
Fuel	9.8 gallons (37.1 l)	
Fuel Remaining at "Empty" on Gauge	Approximately 1.0 gallon (3.8 l)	
Engine		
Engine Type	GM Ecotec LE9 4-stroke	
Configuration	Inline 4-cylinder	
Displacement	146 cubic inch (2384 cc)	
Compression Ratio	10.4:1	
Valve Train	DOHC, VVT	
Bore & Stroke	88 x 98 mm	
Throttle Body Bore	65.6 mm	
Electronic Fuel Injection System	GM MEFI6	
Spark Plug Type / Gap	AC Delco 41-103 or equivalent / .043 in. (1.1 mm)	
Exhaust Control System	Closed-Loop, Single O2 Sensor	
Exhaust System	3-Chamber Muffler	
Cooling System	Water	
Lubrication System	Wet Sump	
Chassis		
Front Suspension Type / Travel	Dual A-Arm / 4.43 in. (112.6 mm)	
Rear Suspension Type / Travel	Swingarm / 5.23 in. (132.8 mm)	
Front Brakes	Disc / Floating Rotor / 2 Piston Calipers	
Rear Brakes	Disc / Floating Rotor / 2 Piston Calipers	
Wheels And Tires		
Front Tire Type	KENDA KR20X	KENDA KR20X
Front Tire Size	205/50 R17	225/45 R18
Front Tire Pressure	28 PSI (193 kPa)	28 PSI (193 kPa)
Front Tire Rims	17" x 7.0"	18" x 7.5"
Rear Tire Type	KENDA KR20X	KENDA KR20X
Rear Tire Size	265/35 R18	255/35 R20
Rear Tire Pressure	32 PSI (221 kPa)	32 PSI (221 kPa)
Rear Tire Rims	18" x 9.5"	20" x 9.0"

SPECIFICATIONS

SLINGSHOT / SLINGSHOT SL	
Drive System	
Final Drive Type	Right Angle Drive (37/16) Carbon Fiber Reinforced Belt (62:39)
Transmission Type	5 Speed with Overdrive
Gear Shift Pattern	5-Speed H-Gate Pattern with Reverse Down-Right
Internal Gear Ratios	
1st	3.753:1
2nd	2.258:1
3rd	1.512:1
4th	1.000:1
5th	0.729:1
Right Angle Drive Ratio	2.313:1
Final Drive Ratio	1.590:1
Clutch Type	Single Plate, Diaphragm Spring, Dry
Electrical	
Alternator	140 Amp Maximum Output
Battery	12 Volt / 30 Amp Hour / 575 CCA
Lights	
Center Headlights (USA)	High/Low H9 65W
Auxiliary Outer Lights (USA)	H3 55W
Headlights (Canada)	High/Low H3 55W
Turn Signals / Taillight / Brake Light	Non-Serviceable LED
License Plate Light	Non-Serviceable LED
Speedometer / Indicator Lights	Non-Serviceable LED
Fuses / Circuit Breakers	
Ignition	10A Breaker
Headlight	30A Breaker
Gauges	5A
Radio	25A
Turn Signal / Horn	20A
Fuel Pump	10A
ECM	10A Breaker
Powertrain	20A Breaker
Fan	20A Breaker
Accessory	25A
ABS	25A
EPAS	30A
Chassis Main Fuse	50A
Engine Main Fuse	40A
ABS Motor Fuse	40A

RECOMMENDED SERVICE PRODUCTS

Part Number	Description
Engine Lubricant	
2879409	SLINGSHOT Premium 5W-30 Engine Oil (qt./95 l)
2879410	SLINGSHOT Premium 5W-30 Engine Oil (gal./3.8 l)
Gearcase / Transmission Lubricants	
2879440	SLINGSHOT Transmission Fluid (qt./95 l)
2879412	SLINGSHOT Angle Drive Fluid (qt./95 l)
Coolant	
2879411	SLINGSHOT 50/50 Antifreeze Premix (gal./3.8 l)

Service Manual Availability

Some procedures are beyond the scope of this manual. See your dealer to purchase the Service Manual for your vehicle.

Some procedures provided in the Service Manual require specialized knowledge, equipment, and training. Be sure you have the required technical skills and tools that are needed before you attempt ANY service on your vehicle. Please contact your dealer before attempting any service work that is beyond your level of technical knowledge or experience, or if the work requires specialized equipment.

Limited Warranty

POLARIS Industries Inc., 2100 Highway 55, Medina, MN 55340 (POLARIS) gives a TWO YEAR LIMITED WARRANTY on all components of your POLARIS vehicle against defects in material or workmanship. This warranty covers parts and labor charges for repair or replacement of defective parts and begins on the date of purchase by the original retail purchaser. This warranty is transferable to another owner during the warranty period through an authorized POLARIS dealer, but any such transfer will not extend the original term of the warranty. The duration of this warranty may vary by international region based upon local laws and regulations.

Registration

At the time of sale, the Warranty Registration Form must be completed by your dealer and submitted to POLARIS within ten days of purchase. Upon receipt of this registration, POLARIS will record the registration for warranty. No verification of registration will be sent to the purchaser as the copy of the Warranty Registration Form will be your proof of warranty coverage. If you have not signed the original registration and received the customer copy, please contact your dealer immediately. **NO WARRANTY COVERAGE WILL BE ALLOWED UNLESS YOUR VEHICLE IS REGISTERED WITH POLARIS.** Initial dealer preparation and set-up of your vehicle is very important in ensuring trouble-free operation. Purchasing a vehicle in the crate or without proper dealer set-up will void your warranty coverage.

Warranty Coverage And Exclusions: Limitations Of Warranties And Remedies

This POLARIS limited warranty excludes any failures that are not caused by a defect in material or workmanship. **THIS WARRANTY DOES NOT COVER CLAIMS OF DEFECTIVE DESIGN.** This warranty also does not cover acts of God, accidental damage, normal wear and tear, abuse or improper handling. This warranty also does not cover any vehicle, component, or part that has been altered structurally, modified, neglected, improperly maintained or used for racing, competition or purposes other than for which it was designed.

This warranty excludes damages or failures resulting from: improper lubrication; improper engine timing; improper fuel; surface imperfections caused by external stress, heat, cold or contamination; operator error or abuse; improper component alignment, tension, adjustment or altitude compensation; snow, water, dirt or other foreign substance ingestion/contamination; improper maintenance; modified components; use of aftermarket or unapproved components, accessories, or attachments; unauthorized repairs; or repairs made after the warranty period expires or by an unauthorized repair center.

This warranty excludes damages or failures caused by abuse, accident, fire, or any other cause other than a defect in materials or workmanship and provides no coverage for consumable components, general wear items, or any parts exposed to friction surfaces, stresses, environmental conditions and/or contamination for which they were not designed or not intended, including but not limited to the following items:

- Wheels and tires
- Suspension components
- Brake components
- Seat components
- Clutches and components
- Steering components
- Batteries
- Light bulbs/Sealed beam lamps
- Filters
- Lubricants
- Bushings
- Finished and unfinished surfaces
- Fuel Injectors/Throttle body components
- Engine components
- Drive belts
- Hydraulic components and fluids
- Circuit breakers/Fuses
- Electronic components
- Spark plugs
- Sealants
- Coolants
- Bearings

WARRANTY

Warranty Coverage And Exclusions: Limitations Of Warranties And Remedies

Lubricants and Fluids

1. Mixing oil brands or using non-recommended oil may cause engine damage. We recommend the use of POLARIS engine oil.

2. Damage or failure resulting from the use of non-recommended lubricants or fluids is not covered by this warranty.

This warranty provides no coverage for personal loss or expense, including mileage, transportation costs, hotels, meals, shipping or handling fees, vehicle pick-up or delivery, replacement rentals, loss of vehicle use, loss of profits or loss of vacation or personal time.

THE EXCLUSIVE REMEDY FOR BREACH OF THIS WARRANTY SHALL BE, AT POLARIS' OPTION, REPAIR OR REPLACEMENT OF ANY DEFECTIVE MATERIALS, COMPONENTS, OR PRODUCTS. THE REMEDIES SET FORTH IN THIS WARRANTY ARE THE ONLY REMEDIES AVAILABLE TO ANY PERSON FOR BREACH OF THIS WARRANTY. POLARIS SHALL HAVE NO LIABILITY TO ANY PERSON FOR INCIDENTAL, CONSEQUENTIAL OR SPECIAL DAMAGES OF ANY DESCRIPTION, WHETHER ARISING OUT OF EXPRESS OR IMPLIED WARRANTY OR ANY OTHER CONTRACT, NEGLIGENCE, OR OTHER TORT OR OTHERWISE. THIS EXCLUSION OF CONSEQUENTIAL, INCIDENTAL, AND SPECIAL DAMAGES IS INDEPENDENT FROM AND SHALL SURVIVE ANY FINDING THAT THE EXCLUSIVE REMEDY FAILED OF ITS ESSENTIAL PURPOSE.

THE IMPLIED WARRANTY OF FITNESS FOR A PARTICULAR PURPOSE IS EXCLUDED FROM THIS LIMITED WARRANTY. ALL OTHER IMPLIED WARRANTIES (INCLUDING BUT NOT LIMITED TO THE IMPLIED WARRANTY OF MERCHANTABILITY) ARE LIMITED IN DURATION TO THE ABOVE 12 MONTH WARRANTY PERIOD. POLARIS DISCLAIMS ALL EXPRESS WARRANTIES NOT STATED IN THIS WARRANTY. SOME STATES DO NOT PERMIT THE EXCLUSION OR LIMITATION OF INCIDENTAL OR CONSEQUENTIAL DAMAGES OR ALLOW LIMITATIONS ON THE DURATION OF IMPLIED WARRANTIES, SO THE ABOVE LIMITATIONS MAY NOT APPLY TO YOU IF INCONSISTENT WITH CONTROLLING STATE LAW.

How To Obtain Warranty Service

If your vehicle requires warranty service, you must take it to a POLARIS Servicing Dealer. When requesting warranty service you must present your copy of the Warranty Registration Form to the dealer. (THE COST OF TRANSPORTATION TO AND FROM THE DEALER IS YOUR RESPONSIBILITY.) POLARIS suggests that you use your original selling dealer; however, you may use any POLARIS Servicing Dealer to perform warranty service.

In the country where your product was purchased:

Warranty or Service Bulletin repairs must be done by an authorized POLARIS dealer. If you move or are traveling within the country where your product was purchased, Warranty and Service Bulletin repairs may be requested from any authorized POLARIS dealer that sells the same line as your product.

Outside the country where your product was purchased:

If you are traveling temporarily outside the country where your product was purchased, you should take your product to an authorized POLARIS dealer. You must show the dealer photo identification from the country of the selling dealer's authorized location as proof of residence. Upon residence verification, the servicing dealer will be authorized to perform the warranty repair.

If you move:

If you move to another country, be sure to contact POLARIS Customer Assistance and the customs department of the destination country before you move. Product importation rules vary considerably from country to country. You may be required to present documentation of your move to POLARIS in order to continue your warranty coverage. You may also be required to obtain documentation from POLARIS in order to register your product in your new country. You should warranty register your product at a local POLARIS dealer in your new country immediately after you move to continue your warranty coverage and to ensure that you receive information and notices regarding your vehicle.

If you purchase from a private party:

If you purchase a POLARIS product from a private party, to be kept and used outside of the country in which the product was originally purchased, all warranty coverage will be denied. You must nonetheless register your product under your name and address with a local POLARIS dealer in your country to ensure that you receive safety information and notices regarding your product.

Exported Products

EXCEPT WHERE SPECIFICALLY REQUIRED BY LAW, THERE IS NO WARRANTY OR SERVICE BULLETIN COVERAGE ON THIS VEHICLE IF IT IS SOLD OUTSIDE THE COUNTRY OF THE SELLING DEALER'S AUTHORIZED LOCATION. This policy does not apply to vehicles that have received authorization for export from POLARIS. Dealers may not give authorization for export. You should consult an authorized dealer to determine this vehicle's warranty or service coverage if you have any questions. This policy does not apply to vehicles registered to government officials or military personnel on assignment outside the country of the selling dealer's authorized location. This policy does not apply to Safety Bulletins.

Notice

If your vehicle is registered outside of the country where it was purchased and you have not followed the procedure set above, your vehicle will no longer be eligible for warranty or service bulletin coverage of any kind, other than *safety* bulletins. Vehicles registered to government officials or military personnel on assignment outside of the country where the vehicle was purchased will continue to be covered by the Limited Warranty.

Please work with your dealer to resolve any warranty issues. Should your dealer require any additional assistance, they will contact the appropriate person at POLARIS.

This warranty gives you specific legal rights, and you may also have other rights which vary from state to state or in different countries. If any of the above terms are void because of federal, state or local law, all other warranty terms will remain in effect.

For questions call POLARIS Customer Assistance:

United States & Canada: 1-800-POLARIS (1-800-765-2747)

French: 1-800-268-6334

WARRANTY

Vehicle Noise Regulation

Tampering with noise control systems is prohibited. Federal law prohibits the following acts or causing thereof:

- The removal or rendering inoperative by any person, other than for the purposes of maintenance, repair or replacement of any device or element of design incorporated into any new vehicle for the purpose of noise control prior to its sale or delivery to the ultimate purchaser or while it is in use, or
- The use of the vehicle after such device or element of design has been removed or rendered inoperative by any person.

Among those acts presumed to constitute tampering are:

- Removal or puncturing of the muffler, baffles, header pipes or any other component which conducts exhaust gasses.
- Removal or puncturing of any part of the intake system.
- Lack of proper maintenance.
- Replacing any moving part of the vehicle, or parts of the exhaust system or intake system, with parts other than those specified by the manufacturer.

This product should be checked for repair or replacement if the vehicle noise has increased significantly through use. Otherwise, the owner may become subject to penalties under state and local ordinances.

Noise Emission Warranty

POLARIS warrants that this exhaust system, at the time of sale, meets all applicable U.S. EPA Federal noise standards. This warranty extends to the first person who buys this exhaust system for purposes other than resale, and to all subsequent buyers.

Warranty claims should be directed to:

- An authorized POLARIS dealer, or
- POLARIS Industries Inc., 2100 Highway 55, Medina, MN 55340

Federal Emissions Control System Warranty

This Federal Emissions Control System Warranty Statement applies to your SLINGSHOT vehicle, which is certified to meet U.S. EPA emission standards. This same emissions warranty coverage applies to SLINGSHOT vehicles sold in Canada.

Your Warranty Rights and Obligations

In the United States, new motor vehicles must be designed, built and equipped to meet applicable emission standards set forth in the Clean Air Act and in U.S. EPA regulations. POLARIS Industries Inc. (hereinafter POLARIS) must warrant the emission control system on your vehicle for the periods of time listed below provided there has been no abuse, neglect or improper maintenance of your vehicle.

Your emission control system may include parts such as the fuel-injection system, ignition system, catalytic converter and engine computer. Also included may be hoses, belts, connectors and other emission-related assemblies. Where a warrantable condition exists, POLARIS will repair your vehicle at no cost to you, including diagnosis, parts and labor.

Manufacturer's Warranty Coverage

The emissions warranty coverage for this vehicle is for a period of use of five (5) years or 30,000 kilometers (18,641 miles), whichever first occurs first. If an emission-related part on your vehicle is defective, the part will be repaired or replaced by POLARIS. This is your emission control system DEFECTS WARRANTY.

Owner's Warranty Responsibilities

As the vehicle owner, you are responsible for the performance of the required maintenance listed in your owner's manual. POLARIS recommends that you retain all receipts covering maintenance on your vehicle, but POLARIS cannot deny warranty solely for the lack of receipts or for your failure to ensure the performance of all scheduled maintenance. You are responsible for presenting your vehicle to a POLARIS dealer as soon as a problem exists. The warranty repairs should be completed in a reasonable amount of time, not to exceed 30 days. As the vehicle owner, you should be aware that POLARIS may deny your warranty coverage if your vehicle or part has failed due to abuse, neglect, improper maintenance or unapproved modifications.

If you have any questions regarding your federal emissions warranty rights and responsibilities, you should contact:

- An authorized POLARIS dealer, or
- POLARIS Industries Inc., 2100 Highway 55, Medina, MN 55340
or call 1-800-POLARIS (1-800-765-2747)

WARRANTY

Federal Emissions Control System Warranty Provisions

POLARIS Industries Inc. (hereinafter POLARIS) warrants this vehicle includes as standard equipment a headlight, taillight and stoplight, and is street legal:

- A. It is designed, built and equipped so as to conform at the time of initial retail purchases with all applicable regulations of the United States Environmental Protection Agency; and
- B. It is free from defects in material and workmanship which cause such vehicle to fail to conform with applicable regulations of the United States Environmental Protection Agency for a period of use of 30,000 kilometers (18,641 miles) or five (5) years from the date of initial retail delivery, whichever occurs first.

I. Coverage

Warranty defects shall be remedied during customary business hours at any authorized POLARIS dealer located within the United States of America in compliance with the Clean Air Act and applicable regulations of the United States Environmental Protection Agency. Any part or parts replaced under this warranty shall become the property of POLARIS.

II. Limitations

The Emission Control System Warranty shall not cover any of the following:

- A. Repair or replacement required as a result of:
 - Accident
 - Misuse
 - Repairs improperly performed or replacements improperly installed
 - Use of replacement parts or accessories not conforming to POLARIS' specifications which adversely affect performance and/or
 - Use in competitive racing or related events.
- B. Inspections, replacement of parts and other services and adjustments necessary for required maintenance.
- C. Any vehicle on which the odometer mileage has been changed so that actual mileage cannot be readily determined.

III. Limited Liability

A. The liability of POLARIS under this Emission Control System Warranty is limited solely to the remedying of defects in material or workmanship by an authorized POLARIS dealer at its place of business during customary business hours. This warranty does not cover inconvenience or loss of use of the vehicle or transportation of the vehicle to or from the POLARIS dealer. POLARIS SHALL NOT BE LIABLE FOR ANY OTHER EXPENSES, LOSS OR DAMAGE, WHETHER DIRECT, INCIDENTAL, CONSEQUENTIAL OR EXEMPLARY, ARISING IN CONNECTION WITH THE SALE OR USE OF OR INABILITY TO USE THE POLARIS VEHICLE FOR ANY PURPOSE. SOME STATES DO NOT ALLOW THE EXCLUSION OR LIMITATION OF ANY INCIDENTAL OR CONSEQUENTIAL DAMAGES, SO THE ABOVE LIMITATIONS MAY NOT APPLY TO YOU.

B. NO EXPRESS EMISSION CONTROL SYSTEM WARRANTY IS GIVEN BY POLARIS EXCEPT AS SPECIFICALLY SET FORTH HEREIN. ANY EMISSION CONTROL SYSTEM WARRANTY IMPLIED BY LAW, INCLUDING ANY WARRANTY OF MERCHANTABILITY OR FITNESS FOR A PARTICULAR PURPOSE, IS LIMITED TO THE EXPRESS EMISSION CONTROL SYSTEM WARRANTY TERMS STATED IN THIS WARRANTY. THE FOREGOING STATEMENTS OF WARRANTY ARE EXCLUSIVE AND IN LIEU OF ALL OTHER REMEDIES. SOME STATES DO NOT ALLOW LIMITATIONS ON HOW LONG AN IMPLIED WARRANTY LASTS, SO THE ABOVE LIMITATIONS MAY NOT APPLY TO YOU.

C. No dealer is authorized to modify this POLARIS Limited Emission Control System Warranty.

IV. Legal Rights

THIS WARRANTY GIVES YOU SPECIFIC LEGAL RIGHTS, AND YOU MAY ALSO HAVE OTHER RIGHTS WHICH VARY FROM STATE TO STATE.

V. This warranty is in addition to the POLARIS Limited Vehicle Warranty

VI. Additional Information

Any replacement part that is equivalent in performance and durability may be used in the performance of any maintenance or repairs. However, POLARIS is not liable for these parts. The owner is responsible for the performance of all required maintenance. Such maintenance may be performed at a service establishment or by any individual. The warranty period begins on the date the vehicle is delivered to an ultimate purchaser.

POLARIS Industries Inc.
2100 Highway 55
Medina, MN 55340
1-800-POLARIS (1-800-765-2747)

WARRANTY

California Emissions Control System Warranty

This California Emissions Control System Warranty Statement applies to your SLINGSHOT vehicle, if it is certified to meet California Air Resources Board and US EPA emission control standards.

Your Warranty Rights and Obligations

The California Air Resources Board and POLARIS Industries Inc. (hereinafter POLARIS) are pleased to explain the emission control system warranty on your SLINGSHOT vehicle. In California, new motor vehicles must be designed, built and equipped to meet the state's stringent anti-smog standards. POLARIS must warrant the emission control system on your vehicle for the periods of time listed below provided there has been no abuse, neglect or improper maintenance of your vehicle. Your emission control system may include parts such as the fuel-injection system, ignition system, catalytic converter and engine computer. Also included may be hoses, belts, connectors and other emission-related assemblies. Where a warrantable condition exists, POLARIS will repair your vehicle at no cost to you, including diagnosis, parts and labor.

Manufacturer's Warranty Coverage

The emissions warranty coverage for this vehicle is for a period of use of five (5) years or 30,000 kilometers (18,641 miles), whichever first occurs first. If an emission-related part on your vehicle is defective, the part will be repaired or replaced by POLARIS. This is your emission control system DEFECTS WARRANTY.

Owner's Warranty Responsibilities

As the vehicle owner, you are responsible for the performance of the required maintenance listed in your owner's manual. POLARIS recommends that you retain all receipts covering maintenance on your vehicle, but POLARIS cannot deny warranty solely for the lack of receipts or for your failure to ensure the performance of all scheduled maintenance. You are responsible for presenting your vehicle to a POLARIS dealer as soon as a problem exists. The warranty repairs should be completed in a reasonable amount of time, not to exceed 30 days. As the vehicle owner, you should be aware that POLARIS may deny your warranty coverage if your vehicle or part has failed due to abuse, neglect, improper maintenance or unapproved modifications.

If you have any questions regarding your warranty rights and responsibilities, you should contact:

- An authorized POLARIS dealer, or
- POLARIS Industries Inc., 2100 Highway 55, Medina, MN 55340
or call 1-800-POLARIS (1-800-765-2747), or
- California Air Resources Board, P.O. Box 8001, 9528 Telstar Avenue, El Monte, CA 91731

California Emission Control System Warranty Provisions

POLARIS Industries Inc. (hereinafter POLARIS) warrants this vehicle includes as standard equipment a headlight, taillight and stoplight, and is street legal:

- A. It is designed, built and equipped so as to conform at the time of initial retail purchases with all applicable regulations of the United States Environmental Protection Agency and the California Air Resources Board; and
- B. It is free from defects in material and workmanship which cause such vehicle to fail to conform with applicable regulations of the United States Environmental Protection Agency or the California Air Resources Board for a period of use of 30,000 kilometers (18,641 miles) or five (5) years from the date of initial retail delivery, whichever occurs first.

I. Coverage

Warranty defects shall be remedied during customary business hours at any authorized POLARIS dealer located within the United States of America in compliance with the Clean Air Act and applicable regulations of the United States Environmental Protection Agency and the California Air Resources Board. Any part or parts replaced under this warranty shall become the property of POLARIS.

In the state of California only, emission-related warranted parts are specifically defined by the state's Emission Warranty Parts List. These warranted parts are: carburetor and internal parts; intake manifold; fuel tank; fuel injection system; spark advance mechanism; crankcase breather; air cutoff valves; fuel tank cap for evaporative emission controlled vehicles; oil filler cap; pressure control valve; fuel/vapor separator; canister; igniters; breaker governors; ignition coils; ignition wires; ignition points; condensers and spark plugs if failure occurs prior to the first scheduled replacement; and hoses, clamps, fittings and tubing used directly in these parts. Since emission-related parts may vary from model to model, certain models may not contain all of these parts and certain models may contain functionally equivalent parts.

In the state of California only, Emission Control System emergency repairs, as provided for in the California Administrative Code, may be performed by other than an authorized POLARIS dealer. An emergency situation occurs when an authorized POLARIS dealer is not reasonably available, a part is not available within 30 days or a repair is not complete within 30 days. Any replacement part can be used in an emergency repair. POLARIS will reimburse the owner for expenses, including diagnosis, not to exceed POLARIS' suggested retail price for all warranted parts replaced, and labor charges based on POLARIS' recommended time allowance for the warranty repair and the geographically appropriate hourly labor rate. The owner may be required to keep receipts and failed parts in order to receive compensation.

II. Limitations

The Emission Control System Warranty shall not cover any of the following:

A. Repair or replacement required as a result of:

- Accident
- Misuse
- Repairs improperly performed or replacements improperly installed
- Use of replacement parts or accessories not conforming to POLARIS' specifications which adversely affect performance and/or
- Use in competitive racing or related events.

B. Inspections, replacement of parts and other services and adjustments necessary for required maintenance.

C. Any vehicle on which the odometer mileage has been changed so that actual mileage cannot be readily determined.

WARRANTY

III. Limited Liability

A. The liability of POLARIS under this Emission Control System Warranty is limited solely to the remedying of defects in material or workmanship by an authorized POLARIS dealer at its place of business during customary business hours. This warranty does not cover inconvenience or loss of use of the vehicle or transportation of the vehicle to or from the POLARIS dealer. POLARIS SHALL NOT BE LIABLE FOR ANY OTHER EXPENSES, LOSS OR DAMAGE, WHETHER DIRECT, INCIDENTAL, CONSEQUENTIAL OR EXEMPLARY, ARISING IN CONNECTION WITH THE SALE OR USE OF OR INABILITY TO USE THE POLARIS VEHICLE FOR ANY PURPOSE. SOME STATES DO NOT ALLOW THE EXCLUSION OR LIMITATION OF ANY INCIDENTAL OR CONSEQUENTIAL DAMAGES, SO THE ABOVE LIMITATIONS MAY NOT APPLY TO YOU.

B. NO EXPRESS EMISSION CONTROL SYSTEM WARRANTY IS GIVEN BY POLARIS EXCEPT AS SPECIFICALLY SET FORTH HEREIN. ANY EMISSION CONTROL SYSTEM WARRANTY IMPLIED BY LAW, INCLUDING ANY WARRANTY OF MERCHANTABILITY OR FITNESS FOR A PARTICULAR PURPOSE, IS LIMITED TO THE EXPRESS EMISSION CONTROL SYSTEM WARRANTY TERMS STATED IN THIS WARRANTY. THE FOREGOING STATEMENTS OF WARRANTY ARE EXCLUSIVE AND IN LIEU OF ALL OTHER REMEDIES. SOME STATES DO NOT ALLOW LIMITATIONS ON HOW LONG AN IMPLIED WARRANTY LASTS, SO THE ABOVE LIMITATIONS MAY NOT APPLY TO YOU.

C. No dealer is authorized to modify this POLARIS Limited Emission Control System Warranty.

IV. Legal Rights

THIS WARRANTY GIVES YOU SPECIFIC LEGAL RIGHTS, AND YOU MAY ALSO HAVE OTHER RIGHTS WHICH VARY FROM STATE TO STATE.

V. This warranty is in addition to the POLARIS Limited Vehicle Warranty

VI. Additional Information

Any replacement part that is equivalent in performance and durability may be used in the performance of any maintenance or repairs. However, POLARIS is not liable for these parts. The owner is responsible for the performance of all required maintenance. Such maintenance may be performed at a service establishment or by any individual. The warranty period begins on the date the vehicle is delivered to an ultimate purchaser.

POLARIS Industries Inc.
2100 Highway 55
Medina, MN 55340
1-800-POLARIS (1-800-765-2747)

MAINTENANCE LOG

Maintenance Performed	Miles / Km	Notes	Performed by

AUDIO SYSTEM

Audio System Introduction

Not all SLINGSHOT vehicles are equipped with an audio system. Models equipped with an audio system may not be equipped with all components discussed in the audio section of this manual. Components not installed at the factory can be purchased from and installed by your authorized SLINGSHOT dealer.

WARNING! Distracted driving can result in loss of control, collision or accident, which may result in serious injury or death. Avoid using any features and devices while driving that may take your attention away from the road and safe driving habits, even for a moment. When device operation is necessary, please use voice-activated devices.

iPod / iPhone Device Compatibility

Your radio will connect with the following iPod and iPhone models. Update your iPod and iPhone devices to the latest software before use.

Made for:

- iPhone 5s
- iPhone 5c
- iPhone 5
- iPhone 4s
- iPhone 4
- iPod touch (5th generation)
- iPod touch (4th generation)
- iPod touch (3rd generation)
- iPod nano (7th generation)
- iPod nano (6th generation)
- iPod nano (5th generation)

“Made for iPod” and “Made for iPhone” mean that an electronic accessory has been designed to connect specifically to iPod or iPhone, respectively, and has been certified by the developer to meet Apple performance standards. Apple is not responsible for the operation of this device or its compliance with safety and regulatory standards. Please note that the use of this accessory with iPod or iPhone may affect wireless performance.



Audio System Introduction

Radio Frequencies

North America

- AM 520 to 1720 kHz
- FM 87.9 to 107.9 MHz
- WX 7 NOAA Channels (162.400 to 162.550 MHz)

Europe

- FM 87.5 to 108.00 MHz (100 kHz steps)
- MW 531 to 1602 kHz
- LW 153 to 279 kHz

Europe 50

- FM 87.5 to 108.00 MHz (50 kHz steps)
- MW 531 to 1602 kHz
- LW 153 to 279 kHz

Australia

- FM 87.5 to 108.0 MHz
- AM 531 to 1701 kHz

Japan

- FM 76.1 to 89.9 MHz
- AM 522 to 1629 kHz

Taiwan

- FM 87.5 to 108.0 MHz
- AM 531 to 1701 kHz

Radio Sources

North America Sources

- FM
- AM
- WX
- USB
- NAV
- Bluetooth

Europe/Europe 50 Sources

- FM
- MW
- LW
- USB
- NAV
- Bluetooth

Japan/Taiwan Sources

- FM
- AM
- USB
- NAV
- Bluetooth

Australia Sources

- FM
- AM
- USB
- NAV
- Bluetooth

Audio Menu Options

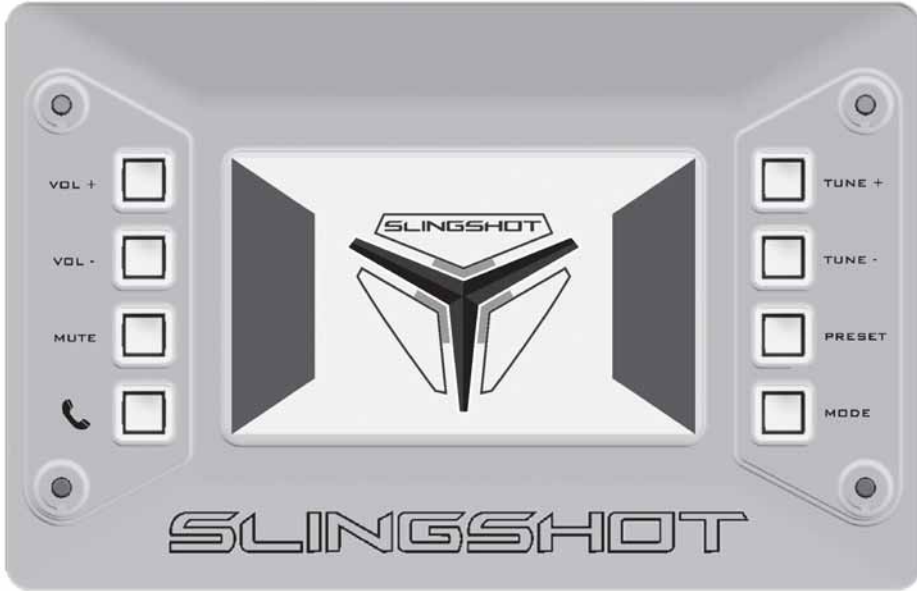
- Audio Output
- **Helmet Equalizer**
- Bass
- Mid
- Treble
- Fader
- Automatic Volume Control (AVC)
- Bluetooth Setup
- Driver Device ON/OFF
- NAV Audio ON/OFF
- iPod Music Settings
- AM/FM Clear Preset
- Radio Broadcast Data System (RBDS)

AUDIO SYSTEM

Audio System Introduction

Audio Controls

The audio controls are located on the audio panel.



Radio On/Off
Volume +/-

VOL+

VOL-

Mute

MUTE

Phone
Voice Recognition

(PHONE)

Tuner
Music Track Select
Menu Scroll

TUNE+

TUNE-

Preset Button (Select/Enter Menus)

PRESET

Mode Button
Radio Settings

MODE

Tip: Some mode menu options have sub-menus. Sources and menu options will be displayed only for installed components.

USB Connector

A USB connector cord is located in the glove box.

Tip: Device-to USB adapters are not supplied with vehicle and must be purchased separately. Reference device owner's manual for USB accessory adapter information.

Power and Volume Controls

Audio System Power

To turn the audio system on, press and release **VOL+** or **VOL-** or **MODE**.

The screen will display the last active entertainment source. The volume level when power is turned on will default to the level in use when power was last turned off (limited to level 15).



Audio System Volume

Press **VOL+** or **VOL-** to adjust volume.

Audio is active in either the speakers or the headsets. The volume controls will adjust the volume in the speakers or in the driver's Bluetooth headset.

Tip: On some headsets, the user must press (+) or (-) or rotate the volume dial on the headset controls to raise or lower volume.



Turn the Radio Off

Press and hold **VOL-** until the radio turns off.

When the radio is turned off, the display shows "RADIO OFF".



AUDIO SYSTEM

Mute

Press and release **MUTE** to mute the audio system.

Press and release **MUTE** again to un-mute the audio system.

Phone

Press **PHONE** to activate the voice recognition feature on a paired phone.

Low Voltage Mute

If battery voltage drops to 10.5 +/- 0.5 volts, the radio will mute to reduce drain on the battery. Full volume will be restored when battery voltage returns to 11.5-12.5 volts. If battery voltage drops below 8.5 volts, the radio will turn off. Radio function will not be available until the battery is charged.



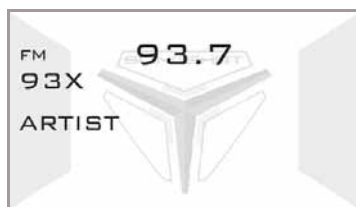
Selecting Audio Sources

Press **MODE** repeatedly to choose the desired audio source. Each press changes the audio source as follows:

1. FM
2. AM
3. MW (Europe only)
4. LW (Europe only)
5. WX (Weather) (North America only)
6. USB
7. NAV (If enabled)
8. Bluetooth Driver (if enabled)

FM source:

All models (shown with RBDS FULL)



AM source:

All models excluding Europe



MW (Medium Wave) source:

Europe models only



Selecting Audio Sources

LW (Long Wave) source:

Europe models only



WX (Weather) source:

North America models only



USB sources:

All models

Flash memory connected



iPhone / iPod connected



Pandora® via USB for iPhone and iPod (Pandora is currently available only in the United States, Australia and New Zealand.)



AUDIO SYSTEM

Selecting Audio Sources

NAV:

All models (skipped if not enabled)



Bluetooth Driver Source:

All models (skipped if not enabled)



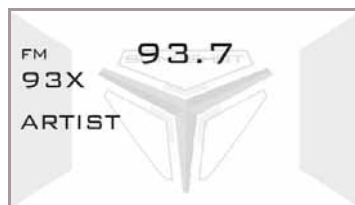
Pandora® on Android/Blackberry via Bluetooth



FM/AM/MW/LW Tuning

MW and LW radio sources are in Europe only. RDBS is in USA only.

1. Press **MODE** repeatedly to choose the desired audio source.
2. Press and release **TUNE+** or **TUNE-** to locate stations in single-step increments.
3. Press and hold **TUNE+** or **TUNE-** to seek radio stations. The radio will slew until the tune button is released. At that time, the radio will seek to the next strong radio station signal.



Selecting Audio Sources

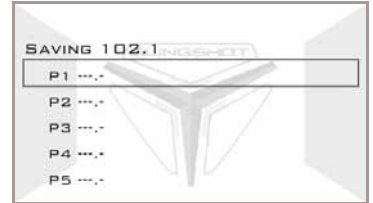
FM/AM/MW/LW Tuning

Memory Presets

The audio system features 15 user-defined presets for each tuner source for storing favorite stations.

1. To set a preset, press **MODE** repeatedly until the desired source is active (FM, AM, MW, LW).
2. Use **TUNE+** or **TUNE-** to locate a radio station.
3. Press and hold **PRESET**.
4. Press **TUNE+** or **TUNE-** to select an available preset location (P1, P2, P3, etc.). The preset location displays on the screen.

Tip: Saving a radio station without picking a location will save the station in the next available location. The initial position is the first unassigned preset location.



5. When the desired location is displayed, press **PRESET**. The station will be stored.

Tip: If the desired preset location already contains a stored radio station, it will be overwritten by the new selection.



6. Press **PRESET** repeatedly to scroll through the list of stored radio presets.



AUDIO SYSTEM

Selecting Audio Sources

Weather Band (WX)

Weather band channels are broadcast by the National Oceanic and Atmospheric Administration (NOAA). NOAA operates more than 940 transmitters covering the United States, Puerto Rico, the U.S. Virgin Islands, the U.S. Pacific Territories and adjacent coastal waterways.

1. Press **MODE** repeatedly until WX source is selected.

Tip: Typically, only one weather band channel will be available for a given location. When traveling, if a channel becomes unavailable, search for another active channel.

2. Press **TUNE+** or **TUNE-** to select a channel.
-

USB Audio Source

Connect the USB memory stick to the USB connector cable. The following music files are recognized by the radio:

- WAV
- MP3
- OGG
- FLAC

The drive must be FAT32 formatted. Music files not recognized by the radio will be ignored. If a drive is not recognized, the screen will display “No Device”.

1. Press and release **MODE** until USB is active. When USB is active, the console screen will display “USB” as the active source.
2. Press and hold **TUNE+** or **TUNE-** to select the next or the previous music folder. The folders are arranged (and play) in alphabetical order.
3. Press and release **TUNE+** or **TUNE-** to select the next or previous song.



USB Audio Source - iPod / iPhone Connected

1. Connect a compatible iPod or iPhone device to the USB connector cable.
2. Press and release **MODE** until iPod is the active source.
3. When iPod is active, the console screen will display “iPod” as the active source.



Tuning/FF - RW

iPod/iPhone only

1. Press and release **TUNE+** or **TUNE-** to select the next or previous song.
2. Press and hold **TUNE+** or **TUNE-** to fast forward or rewind.

Selecting Audio Sources

Direct Song Selection

1. Press and release **PRESET** to display currently playing track list.
2. Press and release **TUNE+** or **TUNE-** to scroll track list.
3. Press and release **PRESET** to select the new song choice and exit to the active source display.
4. Press **MODE** to exit without selecting a new song track.

Category Select

1. Press and hold **PRESET** until the category list appears.

Tip: Pandora® will appear only if the iPod or iPhone is connected via USB and is capable of running Pandora.

2. To navigate the categories, press and release **TUNE+** or **TUNE-**. Press and hold to continuously scroll through the list.
3. Press and release **PRESET** to select new category.

Tip: Press and release **MODE** to exit to the active source display.

4. Press and release **TUNE+** or **TUNE-** to scroll.
5. Press and release **PRESET** to select and play the first song from highlighted item (album, artist and playlist).
6. Press and hold **PRESET** to enter the track selection for the highlighted item. Press **TUNE+** or **TUNE-** to browse the list of songs available.
7. Press and release **PRESET** to play the track.



AUDIO SYSTEM

Selecting Audio Sources

USB Audio Source - Pandora®

Pandora is available only when the user connects a compatible iPhone or iPod device to the radio using the USB connector or a compatible Android device to the radio using the Bluetooth function.

Pandora is intended for use only in the United States, Australia and New Zealand. If licensing restrictions prevent Pandora from playing, “NOT AVAILABLE” displays.



1. Turn on the Pandora app. Connect a compatible iPhone or iPod device to the USB connector.



2. Press and release **MODE** until “Pandora” displays on the screen.

Tip: If Pandora is the currently playing app on the device, the USB source displays information and enables features specific to the app. If it is not, you must select Pandora from the category menu. Press and hold **PRESET**.

3. To give a “THUMBS UP” for the current song, press and hold **TUNE+**.



4. To give a “THUMBS DOWN” for the current song, Press and hold **TUNE-**.



Selecting Audio Sources

USB Audio Source - Pandora®

5. To skip forward to the next song, press and release **TUNE+**.



6. When the skip limit is reached, “SKIP LIMIT REACHED” displays.



7. Press and release **PRESET** to bring up the station list.
8. Use **TUNE+** or **TUNE-** to scroll through the list.
9. Press **PRESET** to select a new station.
OR
Press **MODE** to exit.



AUDIO SYSTEM

Selecting Audio Sources

NAV Source

Please read this manual and the GARMIN ZUMO 660 NAV MP3 information provided with your player to become familiar with all unit features and operation.

The audio integration kit must be installed to enable outputs from the NAV MP3 (such as navigation instructions or user-loaded MP3 media files) to play through the headsets or speakers. The unit is fully functional without the kit installed, but there will be no interface with the vehicle's audio system.

Navigation MP3 Operation Tips

- Signals coming from the NAV MP3 unit will override any source of the vehicle's audio system to ensure navigation instructions are communicated when needed. The signals will also override the MP3 player.
- You must set volume levels within the NAV MP3 unit. Volume settings in the vehicle's audio system control NAV MP3 volume, but navigation instructions may be difficult to hear if volume levels in the unit are set too low. See the GARMIN information for setting procedures. The recommended initial settings are 100/80/80: MASTER 100%, NAVIGATION 80%, MEDIA 80%.
- Pause or stop the MP3 player to switch to playing audio from a radio source.
- If playing MP3 files from the GARMIN ZUMO 660 unit, you may need to turn down the "media volume" on the GARMIN unit to avoid distortion.
- NAV audio must be turned on in the mode menu in order to play MP3 music files from the GARMIN ZUMO 660 NAV unit.
- While in NAV source, only MP3 music stored on the GARMIN ZUMO 660 will play on the radio.

The power switch must be ON to use the audio system. Press and release **MODE** until NAV is the active source.

When navigation instructions are given, the music volume will be muted and "NAV" will be displayed on the line below the active source.

NAV interrupting other sources shows NAV on second line



Bluetooth Sources

Press and release **MODE** until "DRIVER DEVICE" is displayed on the screen.

Tip: Make sure the Bluetooth volume on your device is turned all the way up.



Selecting Audio Sources

Bluetooth Source - Driver

When a device is paired and connected to the Driver Device location, selecting this mode will stream music to the radio.



When Driver Device is turned on, "NO AUDIO" will be displayed as the radio resumes connection with the device.



When a device is paired but not connected to a Bluetooth source location, "NOT CONNECTED" will be displayed.



"SEARCHING" will be displayed when the radio is looking for a currently paired device.



When a device is paired to a Bluetooth source and is in the process of connecting to the radio, "CONNECTING" will be displayed.



AUDIO SYSTEM

Selecting Audio Sources

Bluetooth Device Music Mode Settings

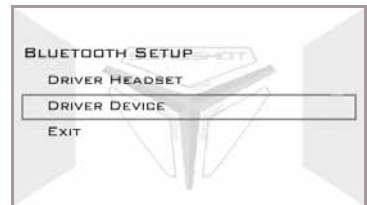
The DRIVER DEVICE source will play the music source that is active on the connected device. Some Bluetooth devices allow the radio to access additional features and controls when using the Pandora® app.

The MUSIC MODE menu offers two settings:

- **DEFAULT** - The radio streams the active music source from the device (even if Pandora is the active music source on the device).
- **PANDORA** - The radio always commands the device to use Pandora when DRIVER DEVICE is on.

Music Mode Setting - Bluetooth Setup Menu

1. Press and hold **MODE** to access the audio menu.
2. Press and release **MODE** until “BLUETOOTH SETUP” is displayed.
3. Press and release **PRESET** to access the Bluetooth Setup Menu options.
4. In the Bluetooth Setup Menu, press **TUNE+** or **TUNE-** to scroll.
5. Press **PRESET** to select DRIVER DEVICE.



6. Press **TUNE+** or **TUNE-** to navigate through selections until the device you want to configure is highlighted. Press and release **PRESET** to select the device.



7. Press **TUNE+** or **TUNE-** to navigate to MUSIC. Press and release **PRESET** to display the music mode menu.



8. Press **TUNE+** or **TUNE-** to navigate to either **DEFAULT** or **PANDORA**. Press and release **PRESET** to make the selection.



Selecting Audio Sources

Bluetooth Device Music Mode Settings

Music Mode Setting - Bluetooth Setup Menu

9. If Pandora® is selected, the screen will display station name, artist name and song title after connecting.



Bluetooth Driver Source - Pandora®

1. When the Bluetooth device audio source is active and playing, press and hold **PRESET** until the system enters the MUSIC MODE menu.
2. Press **TUNE+** or **TUNE-** to navigate to either **DEFAULT** or **PANDORA**. Press and release **PRESET** to make the selection.



3. If Pandora® is selected, the screen will display station name, artist name and song title after connecting.



4. To give a "THUMBS UP" for the current song, press and hold **TUNE+**.



5. To give a "THUMBS DOWN" for the current song, Press and hold **TUNE-**.



AUDIO SYSTEM

Selecting Audio Sources

Bluetooth Device Music Mode Settings

Bluetooth Driver Source - Pandora®

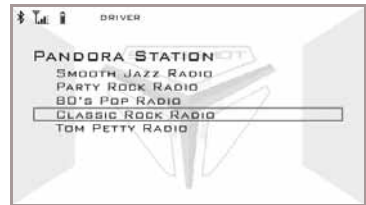
- To skip forward to the next song, press and release **TUNE+**.



- When the skip limit is reached, “SKIP LIMIT REACHED” displays.



- Press and release **PRESET** to bring up the station list.
- Use **TUNE+** or **TUNE-** to scroll through the list.
- Press **PRESET** to select a new station.
OR
Press **MODE** to exit.



Voice Recognition Mode

The radio features voice recognition when a driver headset is connected and turned on. Radio Bluetooth functionality is dependent on the capabilities of the device. Please see your device's user manual.

Tip: Make sure the Bluetooth volume on your device is turned all the way up.

The device's connectivity, battery and signal strength are shown on the top of the display.

Initiating a Phone Call

1. To initiate a phone call, press **PHONE** to request voice recognition mode.
2. Speak phone commands into microphone.
3. Press and release **PRESET** or press **PHONE** while in voice recognition mode to re-send or resume voice recognition request.



4. When the phone call is initiated, "DIALING" and either the caller ID or "OUTGOING CALL" will be displayed.
5. Press **MODE** to cancel outgoing call if desired.



6. When the call is answered, the screen will display "CONNECTED".
7. Press and release **MODE** to end the phone call.



Receiving/Answering Phone Calls

When a phone is paired to DRIVER DEVICE, the audio system will allow the driver to either answer or reject an incoming phone call.

When an incoming phone call is received, the screen will display the information of the caller.

1. Press **PHONE** to answer the call.
2. Press **MODE** to reject the call.
3. To end the phone call, press **MODE**.



AUDIO SYSTEM

Voice Recognition Mode

Error Messages

If your phone receives an incoming call, but you do not have your headsets connected, the incoming call information and “CANNOT ANSWER” displays.

Press **MODE** to send the incoming call to voice mail.



If you attempt to initiate a phone call, but you do not have your headsets connected, “HEADSET NOT CONNECTED” displays.



Siri Eyes Free

Your radio’s voice command mode supports the Siri Eyes Free feature on select iPhone models so you can use Siri without having to look at the screen. For example:

“Play songs by...”

“Get directions to...”

“Read my notifications”

“Send a message to...”

For additional commands, consult your device’s owner’s manual.

Siri is available on iPhone 4s or later, iPad with Retina display, iPad mini and iPod touch (5th generation) and requires Internet access. Siri may not be available in all languages or in all areas, and features may vary by area. Cellular data charges may apply.

For more information about Siri Eyes Free, visit: www.apple.com/ios/siri/.

Audio Mode Menus

Entering Mode Menu

1. Press and hold **MODE** until the system enters the audio system mode menus.
2. Press and release **MODE** to cycle through the following menu items, shown in order of display:
 - Audio Output Select
 - Helmet Equalizer
 - Bass
 - Mid
 - Treble
 - Fader
 - Automatic Volume Control (AVC)
 - Bluetooth Setup
 - Bluetooth Driver Device
 - NAV Audio
 - iPod Music Settings
 - FM/AM Tuner Clear Presets
 - Radio Broadcast Data System (RBDS)
3. At the RBDS screen, press and release **MODE** to return to the beginning of the mode menu list.

Exiting Mode Menu

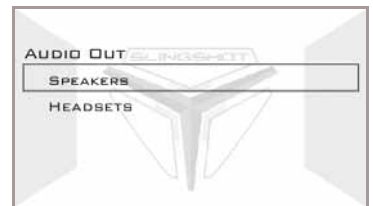
Exit the screen and return to the default display in one of two ways:

1. Wait 10 seconds. The system will automatically exit.
2. Press **PRESET** to exit if not in Bluetooth Setup Mode.

Audio Output Select

Use the audio output select menu to direct the audio output to either the external speakers or headsets.

- Speakers
 - Headsets
1. Press **TUNE+** or **TUNE-** to adjust.
 2. Press and release **MODE** to move to the next selection.



Helmet Equalizer

Press **TUNE+** or **TUNE-** to select ON or OFF.

ON: Audio is optimized for full-face helmet

OFF: Audio is optimized for half-helmet

Press and release **MODE** to move to next selection.



Bass Setting

Press **TUNE+** or **TUNE-** to adjust.

Press and release **MODE** to move to next selection.



AUDIO SYSTEM

Audio Mode Menus

Mid Setting

Press **TUNE+** or **TUNE-** to adjust.

Press and release **MODE** to move to next selection.



Treble Setting

Press **TUNE+** or **TUNE-** to adjust.

Press and release **MODE** to move to next selection.



Fader Setting

1. Press **TUNE+** or **TUNE-** to adjust speaker fader balance.
2. Use the fader adjustment menu to control audio balance between front and rear speakers.

Tip: Fader setting menu is not shown if headsets are selected as the output.

3. Press and release **MODE** to move to next selection.



Automatic Volume Control (AVC)

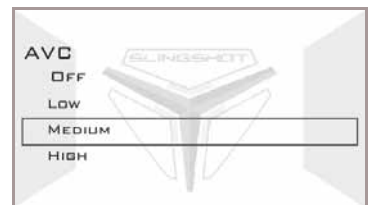
When set, this feature will lower or raise the speaker volume automatically, based on vehicle speed.

OFF: No Adjustment

LOW: Least aggressive setting

MEDIUM: Moderate setting

HIGH: Most aggressive setting



1. Press **TUNE+** or **TUNE-** to adjust the automatic volume settings.
2. Press and release **MODE** to move to next selection.

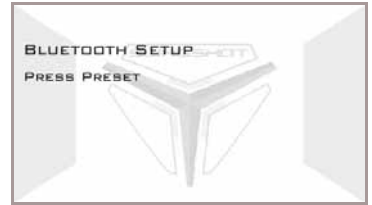
Audio Mode Menus

Bluetooth Setup

Tip: The Bluetooth setup menu is not available when the vehicle is moving or when the screen is set to display Diagnostic Trouble Codes (DTCs).

Bluetooth Setup allows the user to pair and unpair the headset and devices.

1. Press and hold **MODE** to access the audio menu.
2. Press and release **MODE** until “BLUETOOTH SETUP” is displayed.
3. Press and release **PRESET** to access the Bluetooth Setup Menu options.

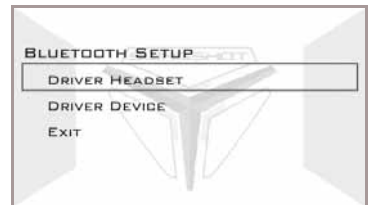


Bluetooth Setup Menu

The Bluetooth Setup Menu provides the following selections:

- DRIVER HEADSET:** Pair/unpair driver headset(s)
- DRIVER DEVICE:** Pair/unpair driver device(s)
- EXIT:** Exit Bluetooth Setup Menu

1. Press and release **TUNE+** or **TUNE-** to scroll through the list.
2. Press and release **PRESET** to select an item.

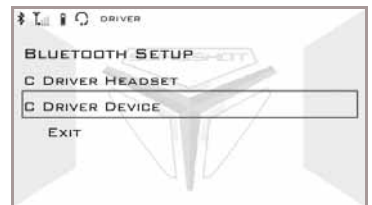


Bluetooth Setup Notes

- The Bluetooth Setup Menu will display “C” next to each position when there is either a headset or device connected.
- Each Bluetooth position can have a maximum of three devices paired to that location. To add another device, you must remove one or all of the paired devices.
- Only one device can be connected at any given time.
- During audio system power-up, the radio will search through the list of paired devices and make connections to one of each pairing position.

Tip: Turning the source off in the MODE MENU will not prevent the device from connecting; it only prevents it from appearing on the audio source loop. This allows a device to be paired and connected only for the purpose of receiving phone calls.

- Audio controls are limited to basic functions when devices are connected via Bluetooth.
- To maintain full audio controls, connect the device to the USB cable.



AUDIO SYSTEM

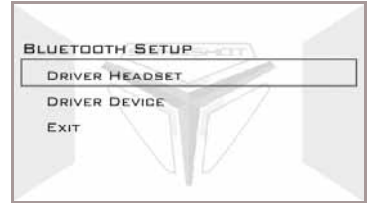
Audio Mode Menus

Bluetooth Setup Menu

Driver Headset Pairing

Incoming phone calls cannot be answered if driver headset is not connected. Press and release **MODE** to send the calls to voice mail.

1. Press and hold **MODE** to access the audio menu.
2. Press and release **MODE** until “BLUETOOTH SETUP” is displayed.
3. Press and release **PRESET** to access the Bluetooth Setup Menu options.
4. In the Bluetooth Setup Menu, press **TUNE+** or **TUNE-** to scroll.
5. Select **DRIVER HEADSET**.
6. Press and release **PRESET**.



7. Press **PRESET** to select **ADD HEADSET**.
- Tip:** Sena SMH10 Bluetooth headsets are recommended. Reference the headset user manual to enable Bluetooth pairing. The headset must be in the pairing mode.



8. The radio will search for the headset.



9. When the headset is found, its name will be displayed.



Audio Mode Menus

Bluetooth Setup Menu

Driver Headset Pairing

10. Press and release **PRESET** to pair the headset with the radio. The radio will display “PAIRING” during the pairing process.

Tip: If prompted to enter a pairing code, find the code in the headset user’s manual. Use **TUNE+** or **TUNE-** to enter the digits 0-9. Press and release **PRESET** to enter the number and move to the next digit. Default codes are typically: “0000” or “1234”.



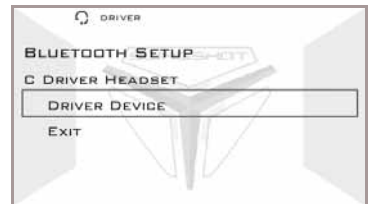
11. “PAIRED” is displayed on the screen when the radio has successfully paired the headset.



Driver Device Pairing

The radio can be paired with Bluetooth devices such as smart phones.

1. In the Bluetooth Setup Menu, press **TUNE+** or **TUNE-** to scroll between options.
2. Set the device to “Discoverable Mode” before starting the pairing procedure. See the user manual for your device.
3. Select “DRIVER DEVICE.”
4. Press and release **PRESET**.



5. Use **TUNE+** or **TUNE-** to scroll to “ADD DEVICE”.
6. Press and release **PRESET** to select “ADD DEVICE.”



AUDIO SYSTEM

Audio Mode Menus

Bluetooth Setup Menu

Driver Device Pairing

7. The radio will search for the device. When the device is found, its name will display.



-
8. Press and release **PRESET** to pair the device with the radio.

Tip: The device and the radio may display a 6-digit key confirmation screen. To confirm, press **CONFIRM** on the device and press **PRESET** on the radio.



-
9. "PAIRED" is displayed on the screen when the radio has successfully paired the device.



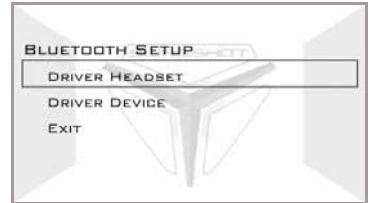
Audio Mode Menus

Bluetooth Setup Menu

Unpairing/Reconnecting Devices

Tip: The following steps reference the DRIVER HEADSET as an example. Unpairing other devices follows the same procedures.

1. In the Bluetooth Setup Menu, use **TUNE+** or **TUNE-** to make a selection. Select “DRIVER HEADSET”.
2. Press and release **PRESET**.



3. To unpair ALL of the devices in the “DRIVER HEADSET” location, press **TUNE+** or **TUNE-** to select “UNPAIR ALL”, and then press **PRESET**.



4. Press **TUNE+** or **TUNE-** to select NO or YES. Select YES, and then press and release **PRESET** to unpair all devices.

The radio will unpair all of the devices from this location and return to the Bluetooth setup menu screen.



5. To unpair individual devices in the “DRIVER HEADSET” location, press and release **TUNE+** or **TUNE-** to select the device you want to unpair.



AUDIO SYSTEM

Audio Mode Menus

Bluetooth Setup Menu

Unpairing/Reconnecting Devices

6. Press and release **PRESET** to select the device.
7. Press and release **TUNE+** or **TUNE-** to select “UNPAIR.”



8. Press and release **PRESET** to unpair the device.

“UNPAIRED” will be displayed after the device is removed from the list.

The radio will return to the “DRIVER HEADSET” device location.



9. Or to connect a different paired device at a location, select that device and press **PRESET** to select it.
10. Select “RECONNECT.”
11. Press **PRESET**.



Audio Mode Menus

Bluetooth Driver Device

1. Press **TUNE+** or **TUNE-** to turn the DRIVER BLUETOOTH device source ON or OFF.
 - SOURCE ON
 - SOURCE OFF
2. Press and release **MODE** to move to the next selection.



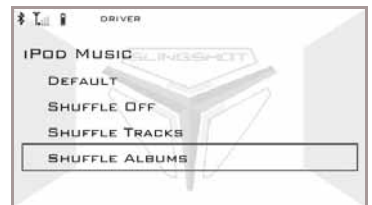
NAV Audio

1. Press **TUNE+** or **TUNE-** to turn the NAV AUDIO source ON or OFF.
2. Press and release **MODE** to move to the next selection.



iPod Settings Menu

1. Press **TUNE+** or **TUNE-** to change between Default, Shuffle Off, Shuffle Tracks, Shuffle Albums settings. The Default setting uses the shuffle setting of the iPod when it was connected.
2. Press and release **MODE** to move to the next selection.



Tuner Clear Presets

1. To clear all FM or AM radio station presets, press **TUNE+** or **TUNE-** to select FM or AM clear presets.
2. Press **PRESET** to clear the presets for the desired tuner band.
3. Press and release **MODE** to move to the next selection.



AUDIO SYSTEM

Audio Mode Menus

Radio Broadcast Data System (RBDS)

1. Press **TUNE+** or **TUNE-** to turn the Radio Broadcast Data System (RBDS). When on, the screen will display artist, song title, etc. (if available in the radio signal).
 - OFF
 - ON (Station name only)
 - FULL (Station name + radio text)
2. Press and release **MODE** to move to the top of the **MODE** menu list.



Audio System Diagnostics

The audio system diagnostic menu allows the following actions for you or your Slingshot dealer:

- View radio software version
- Set radio tuner location
- View vehicle speed

Diagnostic Menu

To access the diagnostic menu:

1. Press and hold **VOL-** to turn the radio off.
2. Turn the power switch OFF.
3. Turn the power switch ON.
4. Press and hold **PRESET** for several seconds.
5. This screen will appear if steps 1-4 were performed correctly.

Tip: If you do not see this screen, perform steps 1-4 again.

6. Press and release **MODE** to move to Key Pad Diagnostics.



Key Pad Diagnostics

Audio system button diagnostics allows the user to test the function of each audio control button.

1. Press and release each of the audio control buttons to test the function of each button.
2. Observe the display after each button is pressed. The screen will display the button name by its function. If nothing displays, the button is not working. See your authorized dealer for service.
3. Press and release **MODE** to move to Tuner Location Settings.



AUDIO SYSTEM

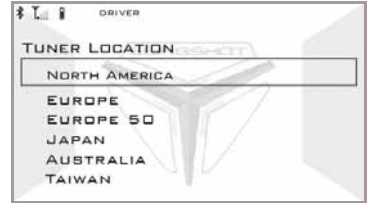
Audio System Diagnostics

Tuner Location Settings

The radio tuner can be set to the geographical location where the vehicle will be driven.

The following settings can be chosen under the Tuner Location Settings menu:

- NORTH AMERICA (USA/CANADA/MEXICO)
- EUROPE
- EUROPE 50
- JAPAN
- AUSTRALIA
- TAIWAN



1. Press and release **TUNE+** or **TUNE-** to make a new selection.
2. Turn the power switch OFF, then ON to save the new tuner location.

Speed Diagnostic

The Speed Diagnostic menu displays vehicle speed. Use this menu to verify the radio system is receiving a speed signal from the vehicle control module.

1. Press and release **MODE** to return to the radio hardware/version display screen.
2. To exit the audio system diagnostics menu and return to the RADIO OFF screen, press and release **TUNE+** or **TUNE-**.



Screen Display Settings

The screen display diagnostic menu allows the following actions for you or your SLINGSHOT dealer:

- Adjust backlighting
- Set DAY/NIGHT/AUTO mode
- Adjust button display modes

1. To access the display settings, press and hold **MUTE**.
2. Press **VOL+** to display software information.
3. Press **VOL+** to return to the display settings screen.
4. Press **MODE** to save any changes and exit.

Backlighting Display Settings

1. Press and release **TUNE+** to cycle through DAY/NIGHT/AUTO modes.
2. Press and release **TUNE-** or **PRESET** to adjust the screen brightness in each mode.
3. With Auto mode on, press **MUTE** or **PHONE** to adjust the DAY/NIGHT light transition point.



Button Display Settings

Press **VOL-** to scroll through button display modes:

- OFF:** Button text does not display on screen
- ON:** Button text displays on screen at all times
- ON NIGHT:** Button text displays at all times in NIGHT MODE only
- SLIDE:** Button text slides out to display when any button is pressed
- SLIDE NIGHT:** Button text slides out to display in NIGHT MODE only

AUDIO SYSTEM

Audio Compliance Information

FCC and Industry Canada Compliance Statement

This equipment complies with FCC radiation exposure limits set forth for an uncontrolled environment. This equipment should be installed and operated with minimum distance of 20 cm between the radiator and your body.

This device complies with Industry Canada license-exempt RSS standard(s). Operation is subject to the following two conditions: (1) this device may not cause interference, and (2) this device must accept any interference, including interference that may cause undesired operation of the device.

A

About the Owner's Manual	8
ABS	28
Accelerating	44
Accessories, How to Choose	11
Air Filter	57
Angle Drive Fluid	55
Anti-Lock Brake System	28
Audio Switches	20
Audio System	33
Audio Mode Menus	117-126
Audio Source Selection	102-114
Compliance Information	130
Diagnostics	127-128
Introduction	98-100
Low Voltage Mute	102
Mute	102
Phone	102
Power and Volume Controls	101
Screen Display Settings	129
Voice Recognition Mode	115-116

B

Back-Up Camera (if equipped)	33
Battery	
Access Panel	70
Battery Safety	69-70
Charging	72
Installation	71
Maintenance	69
Removal	70
Storage	71, 80
Brake Fluid	62-63
Brake Fluid Change	62
Brake Fluid Precautions	62
Brake Lever, Park	29
Brake Pedal	27
Brake System Inspections	64
Brakes	28
Braking	44
Break-In Maintenance	48
Break-In Period	40
Breather Hose Inspection	59

C

Check Engine Indicator	26
Cleaning Products	78
Clutch Fluid, Hydraulic	60-61
Clutch Pedal	27
Compliance, Vehicle	13
Component Locations	17
Console Components	18-21
Coolant	56
Coolant Hoses Inspection	57
Coolant Level	56
Cooling Fan	57
Cooling System Operation	56-57
Cruise Control Operation	46-47
Cruise Control Switches	19

D

Display Units, Standard/Metric	25
Drive Belt	
Cleaning	58
Condition	58
Wear Analysis	58
Drive Belt Inspection	38
Drivetrain Break-In	40
Driving Safety	9-11

E

Electronic Power-Assisted Steering	27
Electronic Stability Program (ESP) Switch	21
Elevating the Vehicle for Service	49
Engine Break-In	40
Engine Compression Test	68
Engine Identification Number	16
Engine Oil	52-53
Engine, Starting	42
Engine, Stopping	45
EPAS	27
Equipment Modifications	11
Error Codes, Engine	26
Evaporative Emission Control System (California Models)	59
Exhaust Safety	12
Exhaust System Inspection	68

F

Fan, Cooling	57
Fastener Inspection	38
Fluid Change	
Angle Drive	55
Brake Fluid	62
Hydraulic Clutch Fluid	61
Transmission	54
Fluid Change, Engine Oil	53
Fluid Level	
Angle Drive	55
Brake Fluid	63
Hydraulic Clutch Fluid	60
Transmission	54
Fluid Level, Engine Oil	52
Fluid, Engine Oil	52-53
Foot Controls (Foot Pedals)	27
Fuel Cap	31
Fuel Handling Safety	12
Fuel Level	38
Fuel Recommendation	41
Fuel System Inspection	59
Fuel System, Priming	41
Fuel Tank Filler Cap	31
Fuse Replacement	77

INDEX

G

Gasoline Handling Safety	12
Gear Shifting	43-44
Glove Box Storage	33
Gross Vehicle Weight Rating	14
GVWR	14

H

Hazard Switch/Emergency Flashers	20
Headlamp Aim Adjustment (Canada)	76
Headlamp Aim Adjustment (USA)	74-75
Headlamp Aim Inspection Conditions	74
Headlamp Bulb Replacement	73
Headlight High/Low Beam Switch	19
Hood, Opening/Closing	31
Horn	18

I

Identification Number Record	6
Ignition Key Number	16
Ignition Switch	18
Indicator Lamps	22-23
Information Labels	15
Instrument Cluster	19, 22

K

Key Number	16
------------	----

L

Labels, Information	15
Labels, Safety	15
LED Light Assemblies	73

Lights

Headlamp Aim Adjustment (Canada)	76
Headlamp Aim Adjustment (USA)	74-75
Headlamp Bulb Replacement	73
LED Light Assemblies	73

M

Maintenance

Break-In Maintenance	48
Major Maintenance	48
Periodic Maintenance	50-51
Maintenance for Safety	13
Maintenance Log	97
Maintenance Safety	49
Maintenance, Required	13
Major Maintenance	48
Master Lighting Switch (Canada)	20
Metric Display	25
MFD	24-26
Mirror Adjustment	33
Mode Button	21
Modifications, Vehicle	11
Multi-Function Display	24-26

O

Oil Change, Engine Oil/Filter	53
Oil Level, Engine Oil	52
Oil, Engine	52-53
Operation, Cooling System	56-57

P

Park Brake Lever	29
Parking the Vehicle	11
Periodic Maintenance	50-51
Power-Assisted Steering	27

R

Radiator	57
Radio	33
Refueling Safety	12
Registration, Warranty	87
Reverse Operation	45

S

Safety Defects, Reporting to NHTSA	14
Safety Labels	15
Safety Symbols	8
Safety While Servicing	49
Seat Adjustments	30
Seat Belt Inspection	32
Seat Belts	32
Security System (Canada)	34-35
Service Manual	86
Service Procedure Safety	49
Severe Use Definition	50
Shift Points	44
Shifting Gears	43-44
Signal Words	8
SLINGSHOT Operating Characteristics	39
Spark Plug Recommendations	67
Spark Plug Service	67-68
Spark Plugs	67-68
Speedometer	22
Starter Interlock Switch	27
Starter Switch	20
Steering Inspection	38
Steering Wheel Adjustments	30

Storage

Battery Care	80
Removal From	80
Seasonal	79
Storage Compartments	33
Suspension Inspection, Front	38
Suspension Inspection, Rear	38
Suspension Inspections	59

S

Switches

Audio Switches	20
Cruise Control Switches	19
Electronic Stability Program (ESP) Switch	21
Emergency Flashers	20
Hazard Switch	20
Headlight High/Low Beam Switch	19
Ignition Switch	18
Master Lighting Switch (Canada)	20
Mode Button	21
Starter Interlock Switch	27
Starter Switch	20
Turn Signal Lever	19

T

Tachometer	22
Throttle Pedal	27
Tilt Steering	30
Tires	65-66
Tire Condition	65
Tire Pressure	65
Tread Depth	65
Transmission Fluid	54
Transporting the SLINGSHOT	81
Turn Signal Lever	19

W

Washing the Vehicle	78
Weight Capacity	14
Wheels	
Wheel Inspection	66
Wheel Installation	66
Wheel Removal	66
Wheels and Tires	65-66
Windshield (if equipped)	31
Windshield Care (if equipped)	31

**READ OWNER'S MANUAL
WATCH SAFETY VIDEO**



To locate your nearest dealer,
call 1-800-POLARIS (765-2747)
or visit www.polaris.com

Polaris Industries Inc.
2100 Highway 55
Medina, MN 55340

Part No. 9923991 Rev 01
Printed in USA

